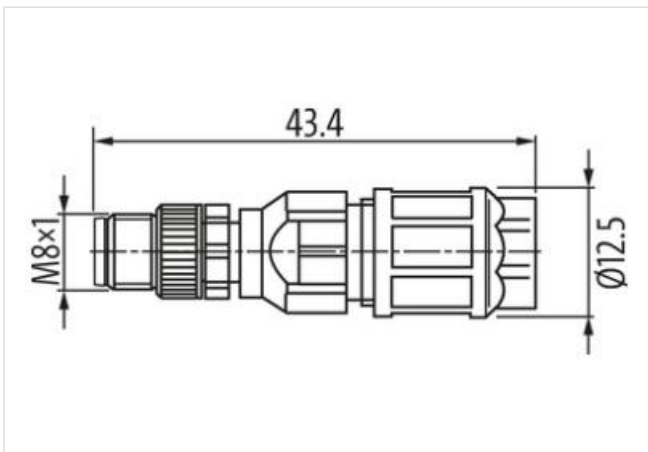
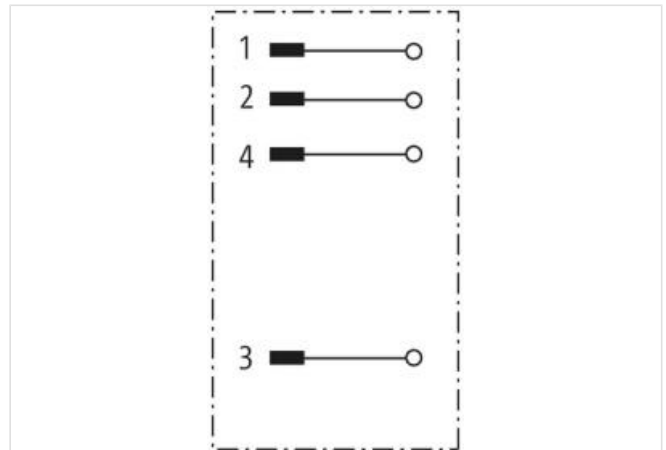


M8 male 0° A-cod. IDC4-pol., 0,25 - 0,5mm², 2,5 - 5mm

IDC terminals

Male straight

M8, 4-pole

Connection cross section: 0.25...0.5 mm²[Link to Product](#)**Illustration**

Product may differ from Image

**Technical Data**

Operating voltage	30 V AC/DC
Operating current per contact	max. 4 A
No. of poles	4
Mating cycles	≥ 100
Compression gland	Hexagonal screw/nut
Connection cross section	0.25...0.5 mm ²

The information in this brochure has been compiled with the utmost care.

Liability for the correctness completeness and topicality of the information is restricted to gross negligence. Version: 2022-08-19

Murrelektronik GmbH | Falkenstr. 3 | 71570 Oppenweiler | Fon +49 (71 91) 47-0 | Fax +49 (71 91) 47-491000 | shop@murrelektronik.com | shop.murrelektronik.com

Sealing range (cable Ø)	2.5...5.0 mm
Protection	IP65 and IP67 when plugged and screwed down (EN 60529)
Material	PA
Locking material	Zinc die casting, matte nickel plated
Outer wire Ø	1.1...1.55 mm
Isolation resistance	≥ 100 MΩ
Over voltage category	2

General data

Standards	DIN EN 61076-2-104 (M8)
Mounting method	inserted, tightened
Material (contact)	Copper alloy
Material (contact surface)	Au
Material (gasket)	NBR
Pollution Degree	3
Temperature range	-25...+80 °C
Material (contact carrier)	TPU
Connection	IDC terminal