

Product data sheet

Automation technology - data transmission



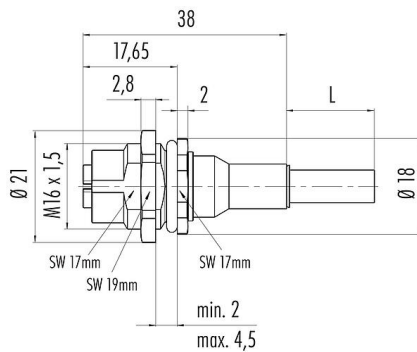
Product description **M12-X Female panel mount connector, Contacts: 8, shielded, with cable assembled, IP67, UL, M16x1.5, Ethernet, PUR, 4 x 2 x AWG 26/7, front fastened, 0.5 m**

Area **M12-X series 876**
Part no. **70 3784 706 08**

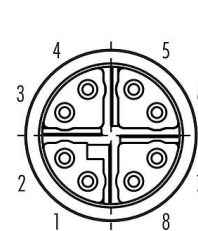
Illustration



Scale drawing



Contact arrangement (Plug-in side)



- 1 white-orange
- 2 orange
- 3 white-green
- 4 green
- 5 white-brown
- 6 brown
- 7 white-blue
- 8 blue

shield on housing

You can find the component part drawing and assembly instructions on the next page.

Technical data

General features

Part no.	70 3784 706 08
Connector design	Female panel mount connector
Cable length	0.5 m
Version	Connector socket straight
Connector locking system	screw
Termination	with cable assembled
Degree of protection	IP67
Cross-sectional area	4 x 2 x AWG 26
Temperature range from/to	-40 °C / 85 °C
Mechanical operation	> 100 Mating cycles
Weight (g)	41.00
Customs tariff number	85444290

Electrical parameters

Rated voltage	50 V (AC) / 60 V (DC)
Rated current (40 °C)	0.5 A
Insulation resistance	> 10 ⁸ Ω
Pollution degree	3
Transmission rate	CAT 6A
Overtoltage category	II
Insulating material group	III
EMC compliance	shielded
Shield connection	Shield on the housing

Product description	M12-X Female panel mount connector, Contacts: 8, shielded, with cable assembled, IP67, UL, M16x1.5, Ethernet, PUR, 4 x 2 x AWG 26/7, front fastened, 0.5 m
Area Part no.	M12-X series 876 70 3784 706 08

Material

Housing material	Zinc die-cast nickel-plated
Contact body material	PA
Contact material	CuSn (bronze)
Contact plating	Au (gold)
Locking material	Zinc die-cast nickel-plated
REACH SVHC	CAS 7439-92-1 (Lead)
SCIP number	47d1f86c-43e1-4e18-80ef-acb2f8aa134d

Authorization/approvals

Approvals	UL
-----------	----

Classifications

eCl@ss 11.1	27-06-03-11
ETIM 7.0	EC003570

Cable data - Structure of the cable

Cable type	Ethernet
Cable diameter	6.2 mm
Cross section	4 x 2 x AWG 26/7
Sheath material	PUR
Single-lead insulation	PE
Single-lead structure	AWG 26/7

Cable data - Electrical properties

Conductor resistance	145 Ω/Km (20°C)
----------------------	-----------------

Cable data - Mechanical properties

Bending radius, fixed cable	≥ 8 x Ø
-----------------------------	---------

Cable data - Thermal properties

Temperature range cable in move from/to	-10 °C / 60 °C
Temperature range cable fixed from/to	-40 °C / 85 °C

Cable data - Other features

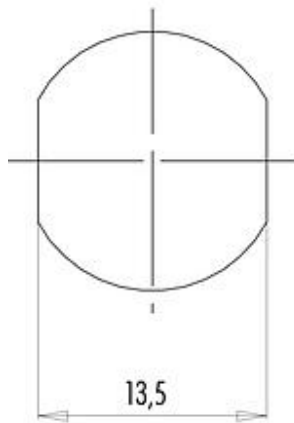
Halogen free	yes
--------------	-----

Product description **M12-X Female panel mount connector, Contacts: 8, shielded, with cable assembled, IP67, UL, M16x1.5, Ethernet, PUR, 4 x 2 x AWG 26/7, front fastened, 0.5 m**

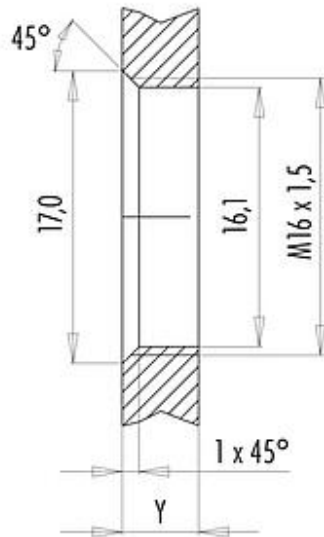
Area **M12-X series 876**
Part no. **70 3784 706 08**

Assembly instructions / Panel cut-out

With flats as anti-rotation device



With bore hole



Installation direction: o-ring sits on chamfer.

Tightening moment

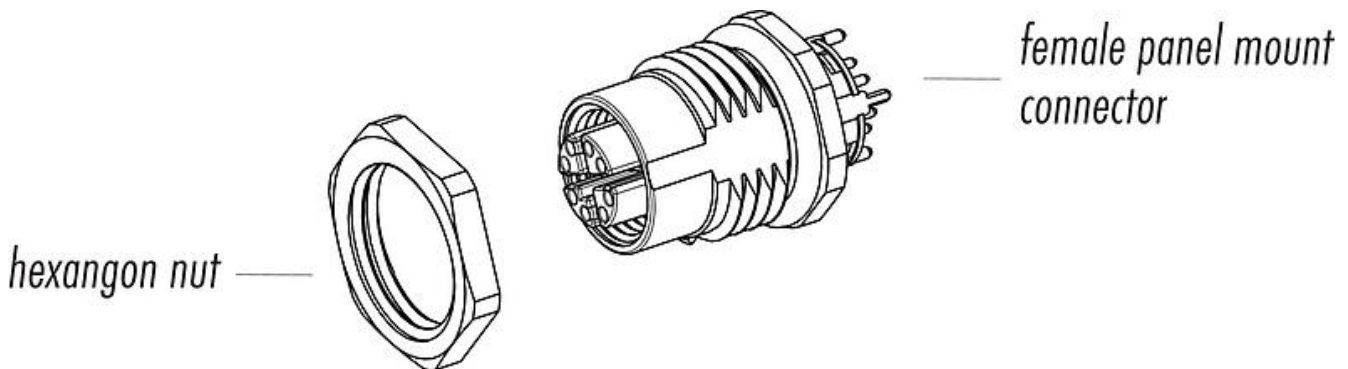
Metall housing/Plastic housing **1,25 Nm**

Thickness of wall Y (mm)		
Version	min (mm)	max (mm)
Fastened from rear	2	3,5
Front fastened	2	4,5
positioning possible ¹⁾	2	3,5
Screw clamp	2	3,5
Thread M12 x 1	2	3,0
Thread M14 x 1 ²⁾	³⁾ 1,5/ ⁴⁾ 2	6,5

Notes

- ¹⁾ Do not attach a chamfer
- ²⁾ Wall thickness:
use nut 38 5385 100 001 up to 1,5 mm,
>1,5 mm cut thread
- ³⁾ Nut
- ⁴⁾ Thread in wall of housing

Component part drawing



Product description	M12-X Female panel mount connector, Contacts: 8, shielded, with cable assembled, IP67, UL, M16x1.5, Ethernet, PUR, 4 x 2 x AWG 26/7, front fastened, 0.5 m
Area	M12-X series 876
Part no.	70 3784 706 08

General Disclaim Notice

The connectors have been developed for applications in plant engineering, control and electrical equipment construction. The user is responsible for checking whether the connectors can also be used in other areas of application.

Plug connectors with enclosure protection IP67 and IP68 are not suitable for use under water. When used outdoors, the plug connectors must be protected separately against corrosion. For further information on the IP protection classes, please refer to the "Technical Information" download centre.