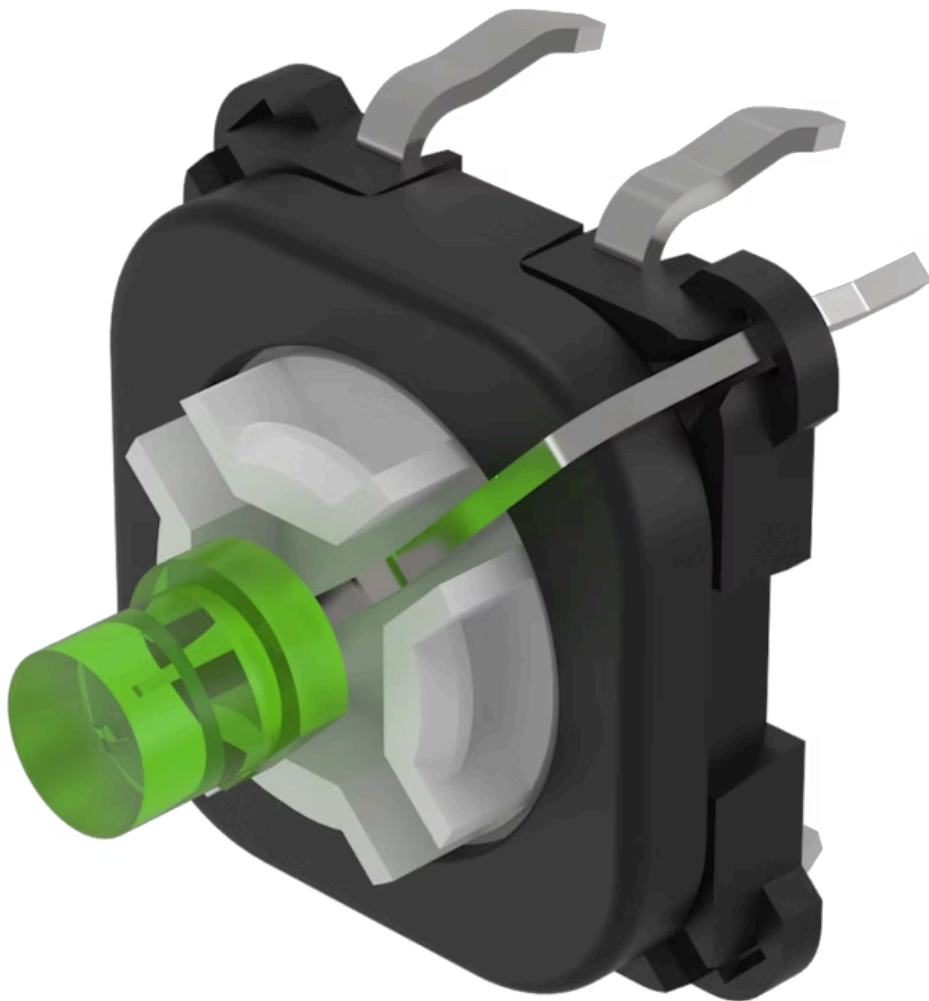


Switching element

70-220.5S



<https://eao.com/p/70-220.5S>

Your product:



70-220.5S Switching element

OPERATING-/INDICATION PART

Illumination colour: Green

ELECTRICAL CHARACTERISTICS

Lumi. Intensity: 650 mcd

Contacts: 1 NO

MECHANICAL CHARATERISTIC

Switching action: Momentary

Switching system: Short-travel element

Weight: 0.001 kg

Contact material: Gold

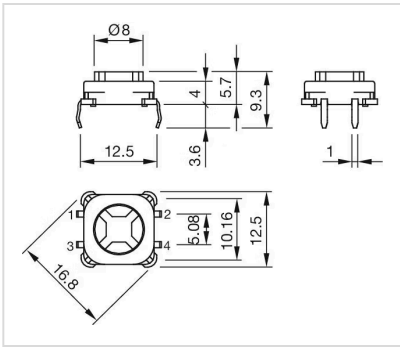
Terminal: PCB terminal

OTHER

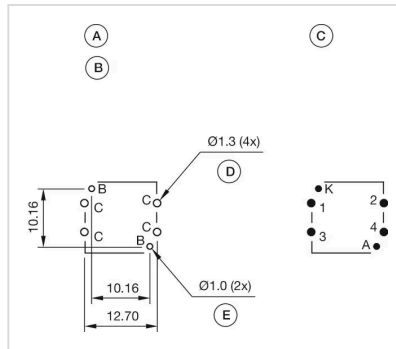
Short Description: Switching element, Short-travel element, 42 V DC @ 0,1 A, Gold, 1 NO, PCB terminal

Hints: The customer has to decide what series resistor shall be used to the LED

Dimension drawings:



Component layouts:



Wiring diagrams:

