



Application Tooling > Spare & Wear Tooling



Applicator & Product Style: OCEAN

### Features

#### Other

Applicator & Product Style	OCEAN
----------------------------	-------

### Product Compliance

[For compliance documentation, visit the product page on TE.com>](#)

EU RoHS Directive 2011/65/EU	Out of Scope
EU ELV Directive 2000/53/EC	Out of Scope
China RoHS 2 Directive MIIT Order No 32, 2016	No Restricted Materials Above Threshold
EU REACH Regulation (EC) No. 1907/2006	Current ECHA Candidate List: JUNE 2024 (241) Candidate List Declared Against: JUNE 2024 (241) Does not contain REACH SVHC
Halogen Content	Low Halogen - Br, Cl, F, I < 900 ppm per homogenous material. Also BFR/CFR/PVC Free
Solder Process Capability	Not applicable for solder process capability

#### Product Compliance Disclaimer

This information is provided based on reasonable inquiry of our suppliers and represents our current actual knowledge based on the information they provided. This information is subject to change. The part numbers that TE has identified as EU RoHS compliant have a maximum concentration of 0.1% by weight in homogenous materials for lead, hexavalent chromium, mercury, PBB, PBDE, DBP, BBP, DEHP, DIBP, and 0.01% for cadmium, or qualify for an exemption to these limits as defined in the Annexes of Directive 2011/65/EU (RoHS2). Finished electrical and electronic equipment products will be CE marked as required by Directive 2011/65/EU. Components may not be CE marked. Additionally, the part numbers that TE has identified as EU ELV compliant have a maximum concentration of 0.1% by weight in homogenous materials for lead, hexavalent chromium, and mercury, and 0.01% for cadmium, or qualify for an exemption to these limits as defined in the Annexes of Directive 2000/53/EC (ELV). Regarding the REACH Regulation, the information TE provides on SVHC in articles for this part number is based on the latest European Chemicals Agency (ECHA) 'Guidance on requirements for substances in articles' posted at this URL: <https://echa.europa.eu/guidance-documents/guidance-on-reach>


## Compatible Parts



TE Part # 794607-1  
MICRO MNL RPT CNT STRIP 26-30



TE Part # 1-794607-1  
MICRO MNL RPT CNT STRP 15AU LF



**CRIMPER** REPRESENTATION ONLY  
TE Part # 1-2119582-2  
Crimper, Insulation F Premium



TE Part # 1-794607-2  
MICRO MNL RPT CNT STRP 30AU LF



TE Part # 2151142-1  
OCEAN\_2.0\_APPLICATION-S-042F070F-RSM



TE Part # 2151142-2  
OCEAN\_2.0\_APPLICATION-S-042F070F-RSA



**CRIMPER** REPRESENTATION ONLY  
TE Part # 456401-4  
CRIMPER WIRE .042 F



**ANVIL** REPRESENTATION ONLY  
TE Part # 5-1333200-0  
ANVIL, COMBINATION .033 -.046


## Customers Also Bought



TE Part #DT04-2P  
REC, 2P, GRY, N



TE Part #W2S  
Wedglocks: DEUTSCH DT



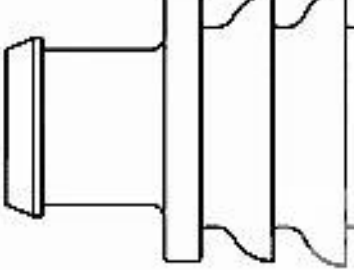
TE Part #0460-202-16141  
DEUTSCH Solid Contacts



TE Part #282104-1  
AMP SUPERSEAL 1.5MM, CONNECTOR HOUSING



TE Part #DT06-2S  
PLG, 2P, GRY, N



TE Part #281934-2  
SINGLE WIRE SEAL



TE Part #114017-ZZ  
SEALING PLUG, SIZE 12/16, WHT

## Documents

### Instruction Sheets

[Instruction Sheet \(U.S.\)](#)

English