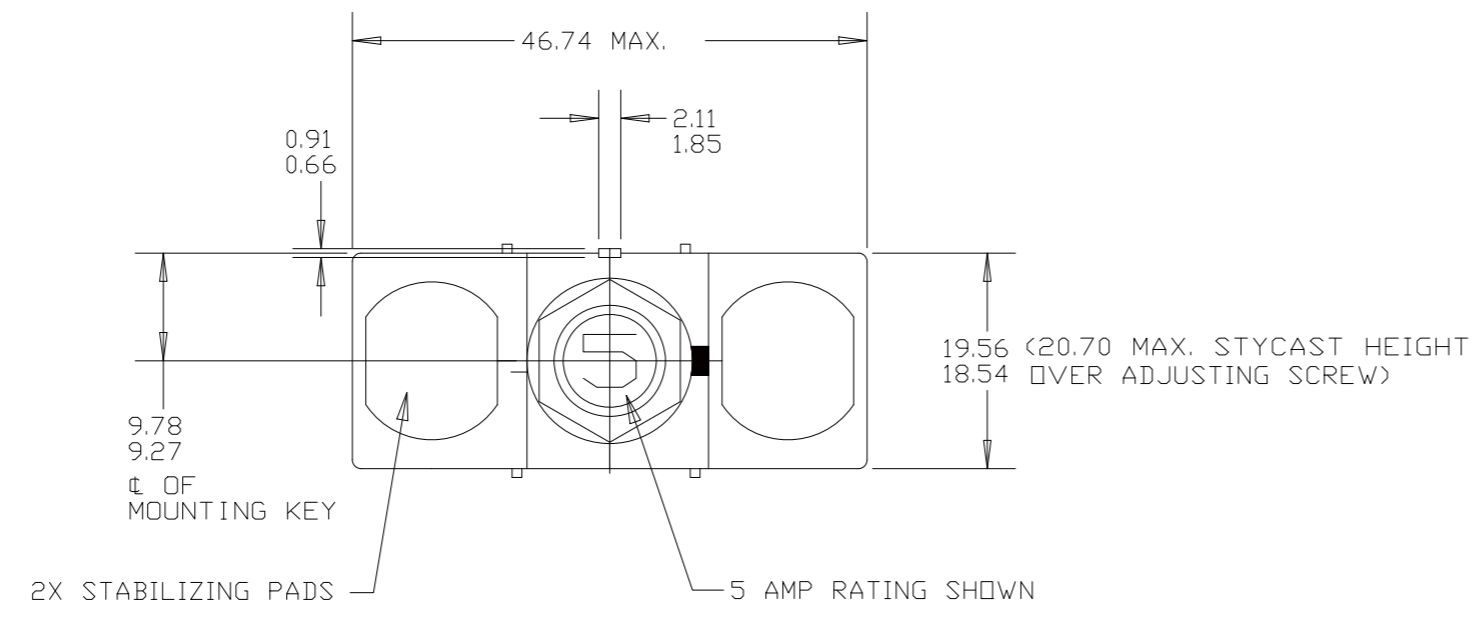


Property of
Sensata Technologies

ZONE	REV.	REVISION DESCRIPTION	ECN NO.	DATE
C4	U	UPDATED TO SENSATA LOGO;	ECN0041424	03-APR-2008
A3		ADDED 6TC50-25 AMP RATING;		
D2		"DETAIL PERFORMANCE PER NSA931322" WAS "DETAIL PERFORMANCE PER MIL-C-5809"; GML		



PERFORMANCE CHARACTERISTICS

DETAIL PERFORMANCE PER NSA931322

OVERLOAD CYCLING	-----	100 CYCLES AT 200% RATING
VIBRATION	-----	CURVE "J" OF EUROCAE ED-14B 3G'S, 2000HZ
MECHANICAL SHOCK	-----	50 G'S
ACCELERATION	-----	10 G'S
SAND AND DUST	-----	12 HOURS
CORROSION	-----	SALT SPRAY 50 HOURS
HUMIDITY	-----	10 DAYS
EXPLOSION PROOF	-----	WHILE INTERRUPTING RUPTURE CURRENTS

ENDURANCE:

120 VAC	400 HZ INDUCTIVE	2500 CYCLES
MECHANICAL	400 HZ RESISTIVE	5000 CYCLES
	NO LOAD	5000 CYCLES

SINGLE * OR THREE PHASE CALIBRATION: 2 AMP THRU 25 AMP

	MIN. ULT. TRIP	MAX. ULT. TRIP	200%	500%	1000%
+25°C, +77°F	110% RATING	145% RATING	4-20 SEC.	.40-2.0 SEC.	.10-.53 SEC.
-54°C, -65°F	110% RATING	165% RATING	6-40 SEC.	.55-3.5 SEC.	.15-.80 SEC.
+71°C, +160°F	100% RATING	145% RATING	3-20 SEC.	.33-1.7 SEC.	.08-.40 SEC.

RUPTURE:

2 AMP THRU 25 AMP	120 VAC, 400 HZ	65 In AMPS (RMS)
-------------------	-----------------	------------------

MAXIMUM OPERATING FORCES

PULL OUT	-----	12 LBS. MAX. (53.4 N)
RESET	-----	12 LBS. MAX. (53.4 N)

OPERATING ALTITUDE: 70,000 FT. (21,000 M)

WEIGHT: 65.0 GRAMS MAX. (1.43 LBS.)

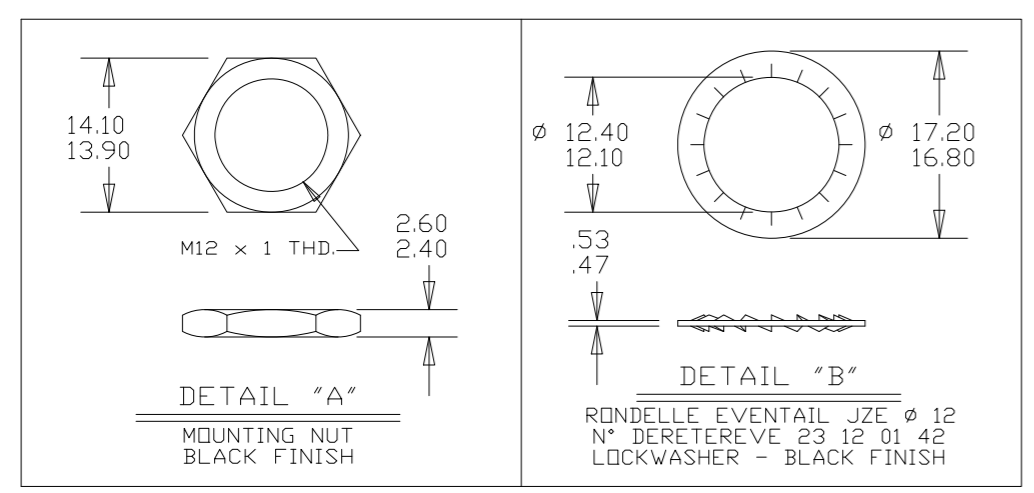
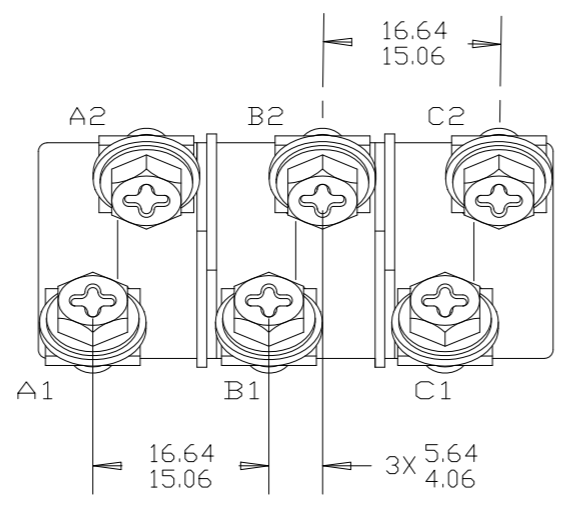
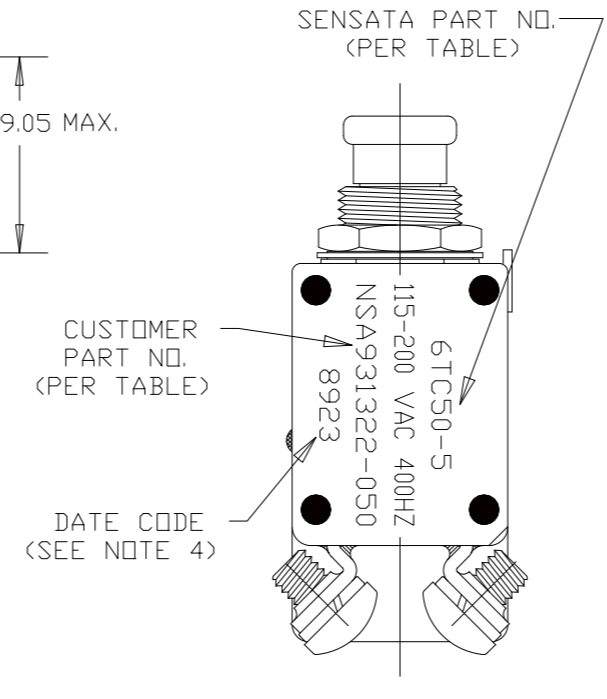
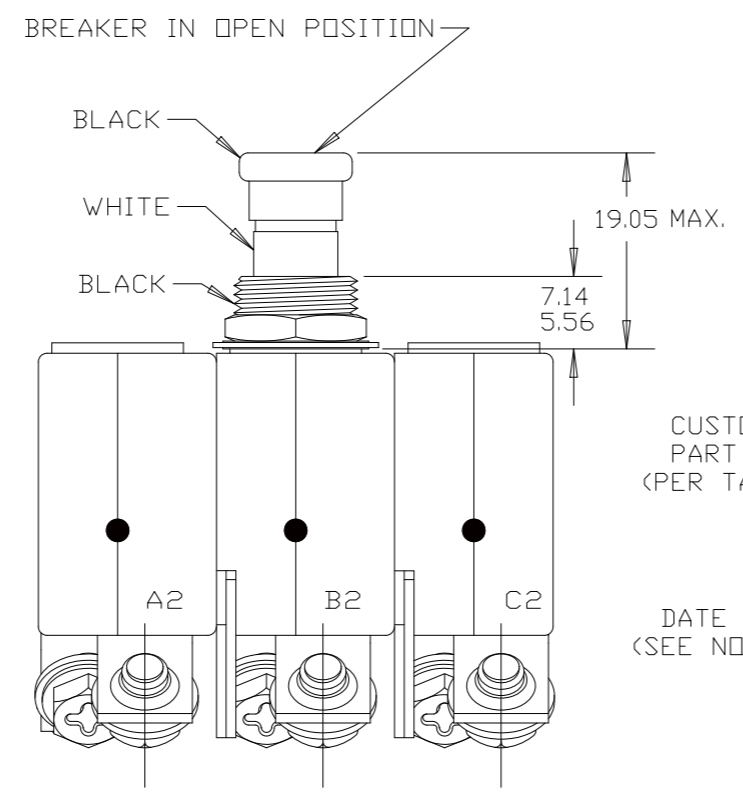
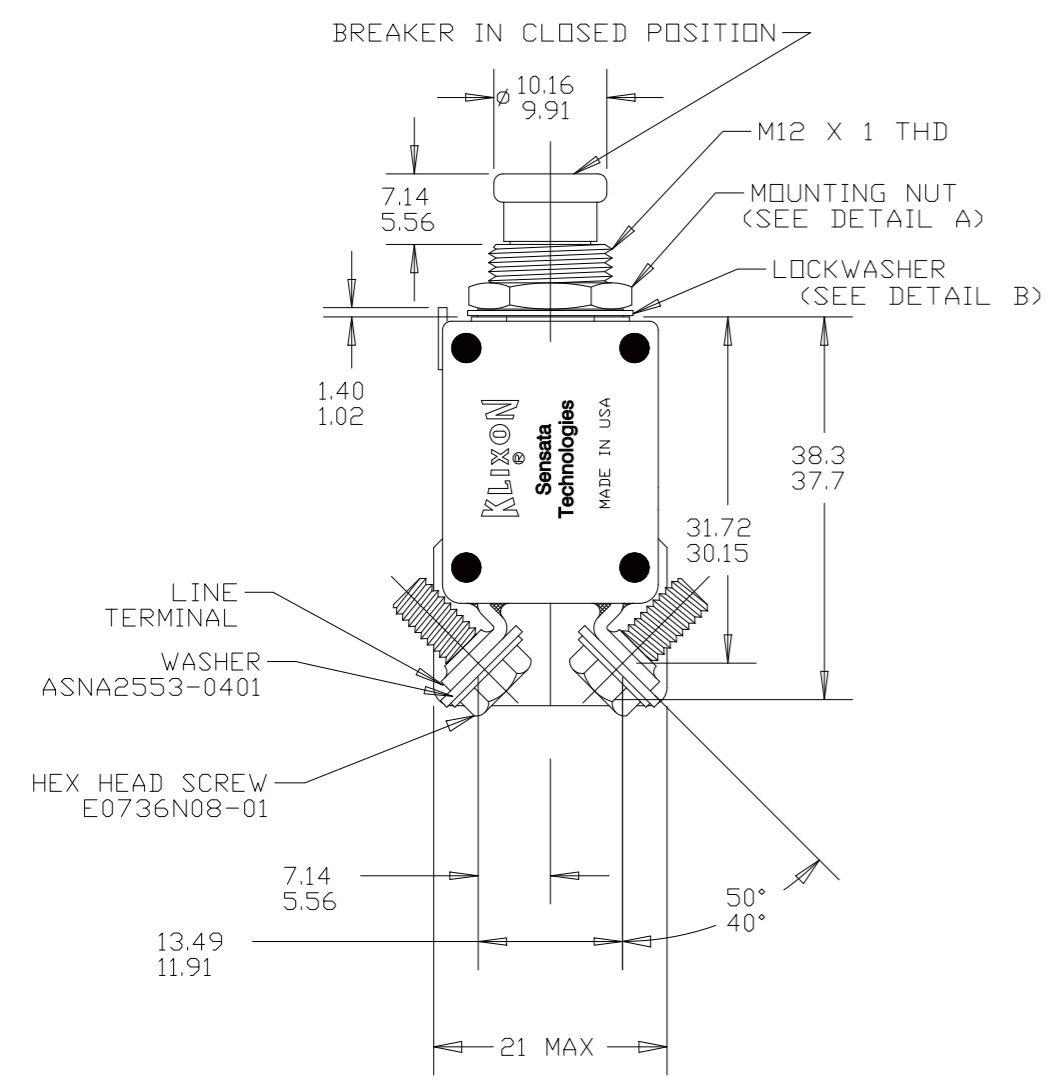
VOLTAGE DROP:

2 AMP	-----	0.70 VOLTS MAX.
2.5 AMP	-----	0.50 VOLTS MAX.
3 AMP	-----	0.40 VOLTS MAX.
4 AMP	-----	0.37 VOLTS MAX.
5 AMP	-----	0.35 VOLTS MAX.
7.5 AMP	-----	.192 VOLTS MAX.
10 AMP	-----	.176 VOLTS MAX.
15 AMP	-----	.176 VOLTS MAX.
20 AMP	-----	.176 VOLTS MAX.
25 AMP	-----	.176 VOLTS MAX.

* SINGLE PHASE MAXIMUM ULTIMATE TRIP VALUES APPLY WITH OTHER TWO PHASES CARRYING 100% OF RATED CURRENT

NOTES:

1. EPOXY SURFACES ARE NON-DIMENSIONED, ENVELOPE DRAWING DIMENSIONS DO NOT APPLY TO THESE PROJECTED EPOXY SURFACES.
2. TERMINAL AND MOUNTING HARDWARE MAY BE PACKAGED RATHER THAN INSTALLED.
3. COUNTRY OF ORIGIN IS SHOWN FOR ILLUSTRATION PURPOSES ONLY. COUNTRY OF ORIGIN TO BE IDENTIFIED AS REQUIRED.
4. DATE CODE PER 10588-285.
5. ALL MARKINGS TO BE MADE IN APPROXIMATE POSITIONS SHOWN WITH BLACK INK PER 12506-70, 2MM HIGH CHARACTERS.



SENSATA PART NO.	CUSTOMER PART NO.
6TC50-25	NSA931322-250
6TC50-20	NSA931322-200
6TC50-15	NSA931322-150
6TC50-10	NSA931322-100
6TC50-7 1/2	NSA931322-075
6TC50-5	NSA931322-050
6TC50-4	NSA931322-040
6TC50-3	NSA931322-030
6TC50-2 1/2	NSA931322-025
6TC50-2	NSA931322-020

FOR REFERENCE ONLY, CHECK LATEST REVISION BEFORE USE. PARTS MADE TO THIS PRINT MUST CONFORM TO E9898 REV. E		529 PLEASANT STREET P.O. BOX 2964 ATTLEBORO, MA 02703	
DRAWN CHAS. FLEURANT DATE 03-APR-1994	SENSATA TECHNOLOGIES PROPRIETARY AND CONFIDENTIAL. NEITHER THIS PRINT NOR THE INFORMATION CONTAINED HEREON IS TO BE USED AGAINST THE INTERESTS OF SENSATA TECHNOLOGIES OR AGAINST THE INTERESTS OF ANY OF ITS AFFILIATED COMPANIES OR WHOLLY OWNED SUBSIDIARIES.	TITLE PART NO: 6TC50 AMBIENT COMPENSATED CIRCUIT BREAKER PUSH-PULL, TRIP FREE ENVELOPE DRAWING	
ENGINEER J.R. FOWLER DATE 30-APR-1994	UNLESS OTHERWISE SPECIFIED DIMENSIONS ARE IN MILLIMETERS TOLERANCES DECIMALS ANGLES	SIZE A2	DWG NO. 6TC50
APPROVED	DO NOT SCALE DRAWING	SCALE 1:1 AUTOCAD	REV. U SHEET 1 OF 1