

6KEBS1AFPD ✓ ACTIVE

Corcom KEB

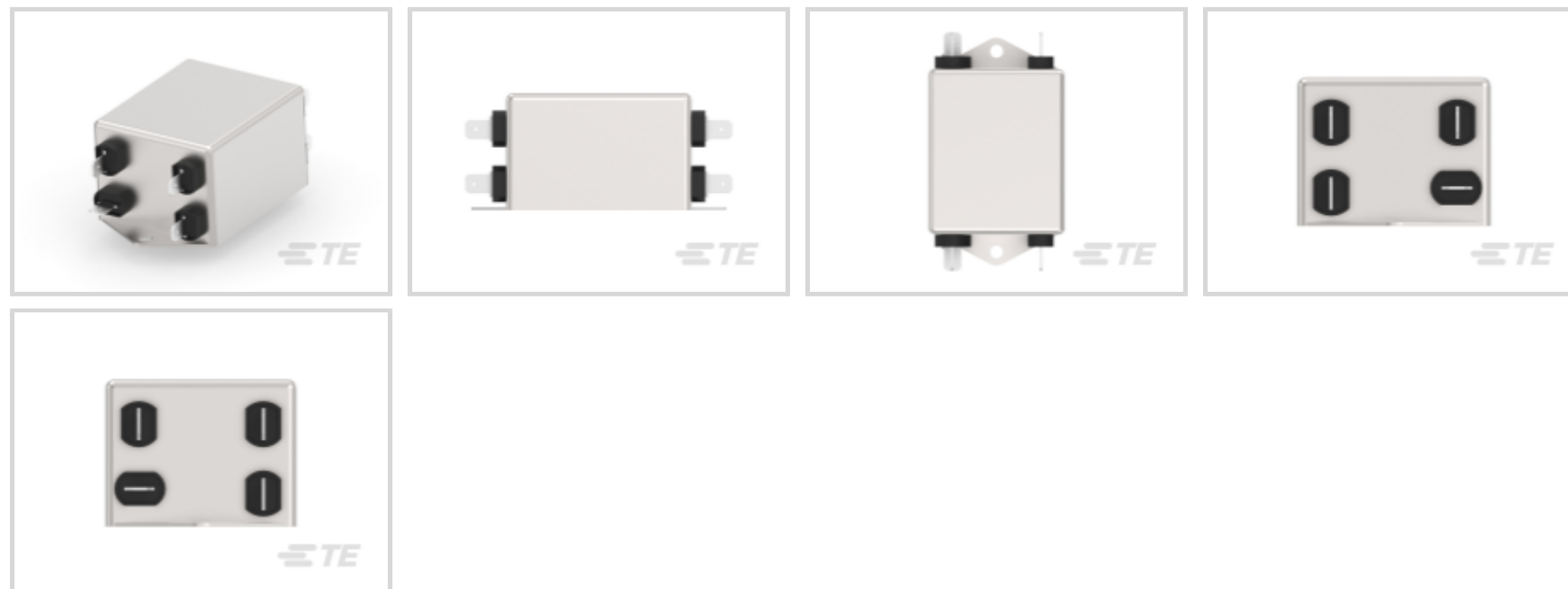
TE Internal #: 1-1609965-2

3-Phase Filters, 6A Current Rating, .250" FASTON Input, .250" FASTON Output, DELTA (3 wire + ground), Operating Voltage 440 VAC, Chassis, Corcom KEB

[View on TE.com >](#)



EMI & EMC Solutions > EMI Filters > Power Line Filters > 3-Phase Filters



Current Rating: **6 A**

Input Termination Type: **.250" FASTON**

Output Termination Type: **.250" FASTON**

Wiring Configuration: **DELTA (3 wire + ground)**

Operating Voltage: **440 VAC**

Features

Product Type Features

Filtering Requirements	Filtered
Input Termination Type	.250" FASTON
Output Termination Type	.250" FASTON

Configuration Features

Wiring Configuration	DELTA (3 wire + ground)
----------------------	-------------------------

Electrical Characteristics

Leakage Current (Max) (230VAC, 50Hz)	3
Current Rating	6 A
Operating Voltage	440 VAC

Mechanical Attachment

Product Mount Type	Chassis
--------------------	---------

Usage Conditions

Operating Temperature Range	-25 – 85 °C
-----------------------------	-------------

Product Compliance

[For compliance documentation, visit the product page on TE.com>](#)

EU RoHS Directive 2011/65/EU	Compliant
EU ELV Directive 2000/53/EC	Compliant
China RoHS 2 Directive MIIT Order No 32, 2016	No Restricted Materials Above Threshold
EU REACH Regulation (EC) No. 1907/2006	Current ECHA Candidate List: JUNE 2024 (241) Candidate List Declared Against: JUNE 2024 (241) Does not contain REACH SVHC
Halogen Content	Not Low Halogen - contains Br or Cl > 900 ppm.
Solder Process Capability	Not reviewed for solder process capability

Product Compliance Disclaimer

This information is provided based on reasonable inquiry of our suppliers and represents our current actual knowledge based on the information they provided. This information is subject to change. The part numbers that TE has identified as EU RoHS compliant have a maximum concentration of 0.1% by weight in homogenous materials for lead, hexavalent chromium, mercury, PBB, PBDE, DBP, BBP, DEHP, DIBP, and 0.01% for cadmium, or qualify for an exemption to these limits as defined in the Annexes of Directive 2011/65/EU (RoHS2). Finished electrical and electronic equipment products will be CE marked as required by Directive 2011/65/EU. Components may not be CE marked. Additionally, the part numbers that TE has identified as EU ELV compliant have a maximum concentration of 0.1% by weight in homogenous materials for lead, hexavalent chromium, and mercury, and 0.01% for cadmium, or qualify for an exemption to these limits as defined in the Annexes of Directive 2000/53/EC (ELV). Regarding the REACH Regulation, the information TE provides on SVHC in articles for this part number is based on the latest European Chemicals Agency (ECHA) 'Guidance on requirements for substances in articles' posted at this URL: <https://echa.europa.eu/guidance-documents/guidance-on-reach>

Compatible Parts



Also in the Series | [Corcom KEB](#)

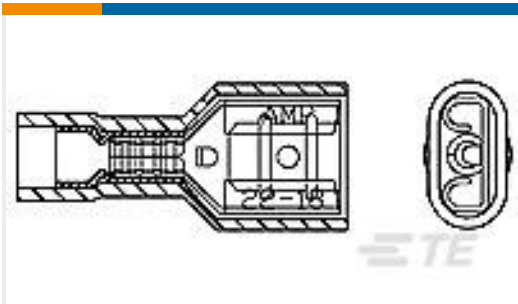


3-Phase Filters(38)

Customers Also Bought



TE Part #204516-2
RECEPT ASSY,SZ 3,AMPLIMITE



TE Part #735279
REC FASTON SERIES 635 PIDG



TE Part #1-1609966-1
KES 3A 1S SPADE WYE 440VAC



TE Part #2560-220-2031
CONT PIN

Documents

Product Drawings

[KEB 6A 1S SPADE DELTA 440VAC](#)

English

CAD Files

Customer View Model

[ENG_CVM_CVM_1-1609965-2_B.3d_igs.zip](#)

English

Customer View Model

[ENG_CVM_CVM_1-1609965-2_B.3d_stp.zip](#)

English

Customer View Model

[ENG_CVM_CVM_1-1609965-2_B.2d_dxf.zip](#)

English

3D PDF

3D

By downloading the CAD file I accept and agree to the [Terms and Conditions](#) of use.

Datasheets & Catalog Pages

[KEB SERIES](#)

English