

6EEJP ✓ ACTIVE

Corcom | Corcom EEJ

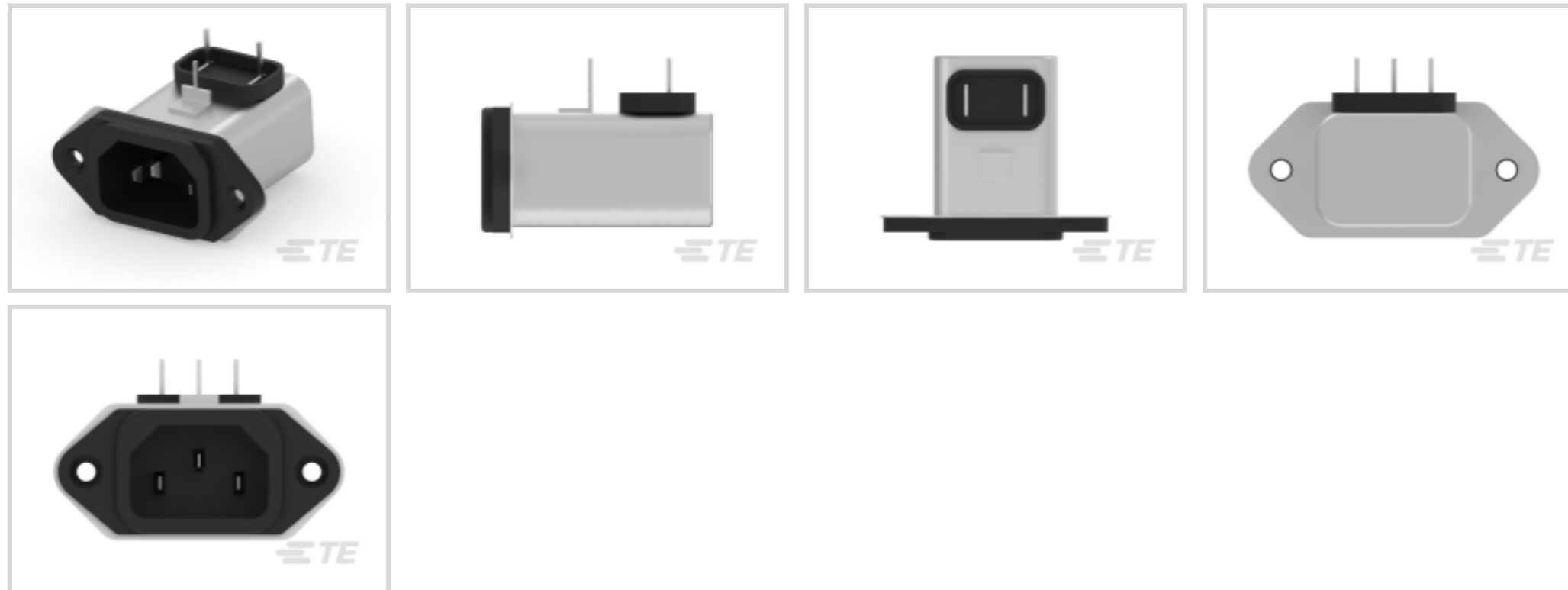
TE Internal #: 1-6609006-1

Multi-Function Inlet Filters, Power Line, Right Angle, 6A Current Rating, PCB Mount Output, Operating Voltage 250 VAC, Filtered, Corcom EEJ

[View on TE.com >](#)



EMI & EMC Solutions > EMI Filters > Multi-Function Inlet Filters > IEC Filtered Inlets, Corcom EEJ Series



Filter Type: **Power Line**

Product Orientation: **Right Angle**

Leakage Current (Max) (120VAC, 60Hz): **220 μ A**

Leakage Current (Max) (250VAC, 50Hz): **380 μ A**

Current Rating: **6 A**

[All IEC Filtered Inlets, Corcom EEJ Series \(32\)](#)

Features

Product Type Features

Ground Choke Option	No
Filter Type	Power Line
Output Termination Type	PCB Mount
Filtering Requirements	Filtered
Filter Connector Type	IEC 320/C-14

Electrical Characteristics

Leakage Current (Max) (120VAC, 60Hz)	220 μ A
Leakage Current (Max) (250VAC, 50Hz)	380 μ A
Current Rating	6 A
Operating Voltage	250 VAC

Body Features

Product Orientation	Right Angle
---------------------	-------------

Mechanical Attachment

Product Mount Type	Printed Circuit Board
--------------------	-----------------------

Usage Conditions

Operating Temperature Range	-10 – 40 °C
-----------------------------	-------------

Product Compliance

[For compliance documentation, visit the product page on TE.com>](#)

EU RoHS Directive 2011/65/EU	Compliant
EU ELV Directive 2000/53/EC	Compliant
China RoHS 2 Directive MIIT Order No 32, 2016	No Restricted Materials Above Threshold
EU REACH Regulation (EC) No. 1907/2006	Current ECHA Candidate List: JUNE 2024 (241) Candidate List Declared Against: JUNE 2024 (241) Does not contain REACH SVHC
Halogen Content	Not Low Halogen - contains Br or Cl > 900 ppm.
Solder Process Capability	Not reviewed for solder process capability

Product Compliance Disclaimer

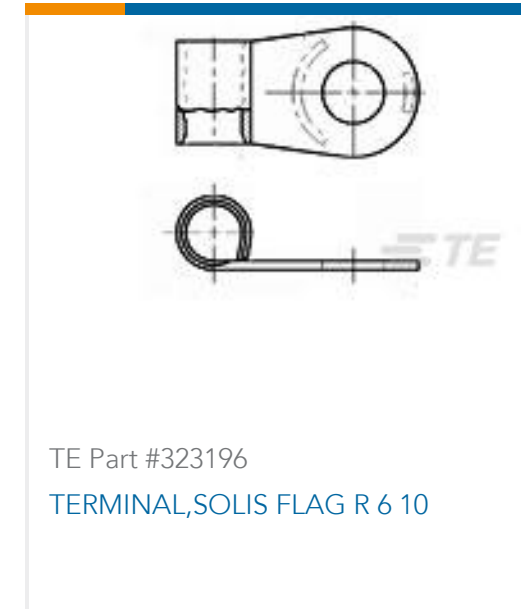
This information is provided based on reasonable inquiry of our suppliers and represents our current actual knowledge based on the information they provided. This information is subject to change. The part numbers that TE has identified as EU RoHS compliant have a maximum concentration of 0.1% by weight in homogenous materials for lead, hexavalent chromium, mercury, PBB, PBDE, DBP, BBP, DEHP, DIBP, and 0.01% for cadmium, or qualify for an exemption to these limits as defined in the Annexes of Directive 2011/65/EU (RoHS2). Finished electrical and electronic equipment products will be CE marked as required by Directive 2011/65/EU. Components may not be CE marked. Additionally, the part numbers that TE has identified as EU ELV compliant have a maximum concentration of 0.1% by weight in homogenous materials for lead, hexavalent chromium, and mercury, and 0.01% for cadmium, or qualify for an exemption to these limits as defined in the Annexes of Directive 2000/53/EC (ELV). Regarding the REACH Regulation, the information TE provides on SVHC in articles for this part number is based on the latest European Chemicals Agency (ECHA) 'Guidance on requirements for substances in articles' posted at this URL: <https://echa.europa.eu/guidance-documents/guidance-on-reach>

Also in the Series | Corcom EEJ



Multi-Function Inlet Filters(32)

Customers Also Bought



Documents

Product Drawings

6EEJP=F8016 S0

English

CAD Files

Customer View Model

[ENG_CVM_1-6609006-1_C.3d_igs.zip](#)

English

Customer View Model

[ENG_CVM_1-6609006-1_C.3d_stp.zip](#)

English

Customer View Model

[ENG_CVM_1-6609006-1_C.2d_dxf.zip](#)

English

3D PDF

English

Customer View Model



[ENG_CVM_CVM_1-6609006-1_E.3d_igs.zip](#)

English

Customer View Model

[ENG_CVM_CVM_1-6609006-1_E.3d_stp.zip](#)

English

Customer View Model

[ENG_CVM_CVM_1-6609006-1_E.2d_dxf.zip](#)

English

3D PDF

3D

By downloading the CAD file I accept and agree to the [Terms and Conditions](#) of use.

Datasheets & Catalog Pages

[1654001_CORCOM_PRODUCT_GUIDE](#)

English

[1654001_CORCOM_PRODUCT_GUIDE_EEJ_SERIES](#)

English

Corcom Combined Selector Charts

English

[1-1654250-1_CORCOM_EMI_RFI_QRG](#)

English