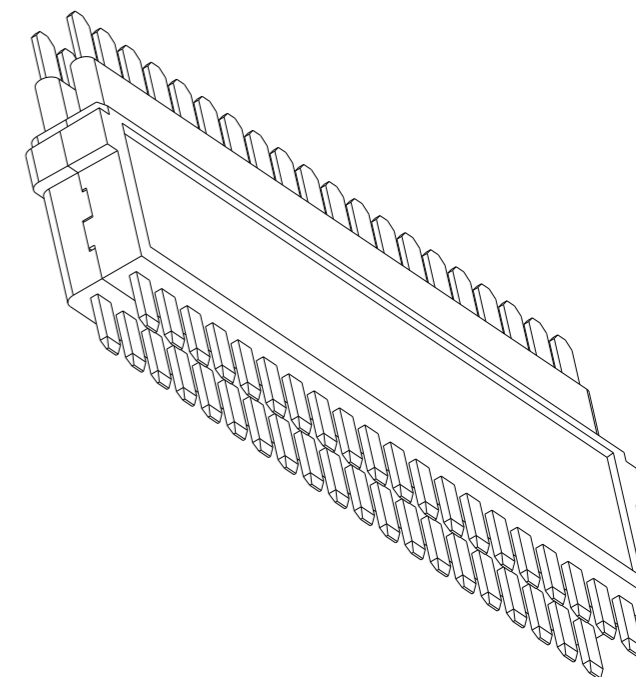
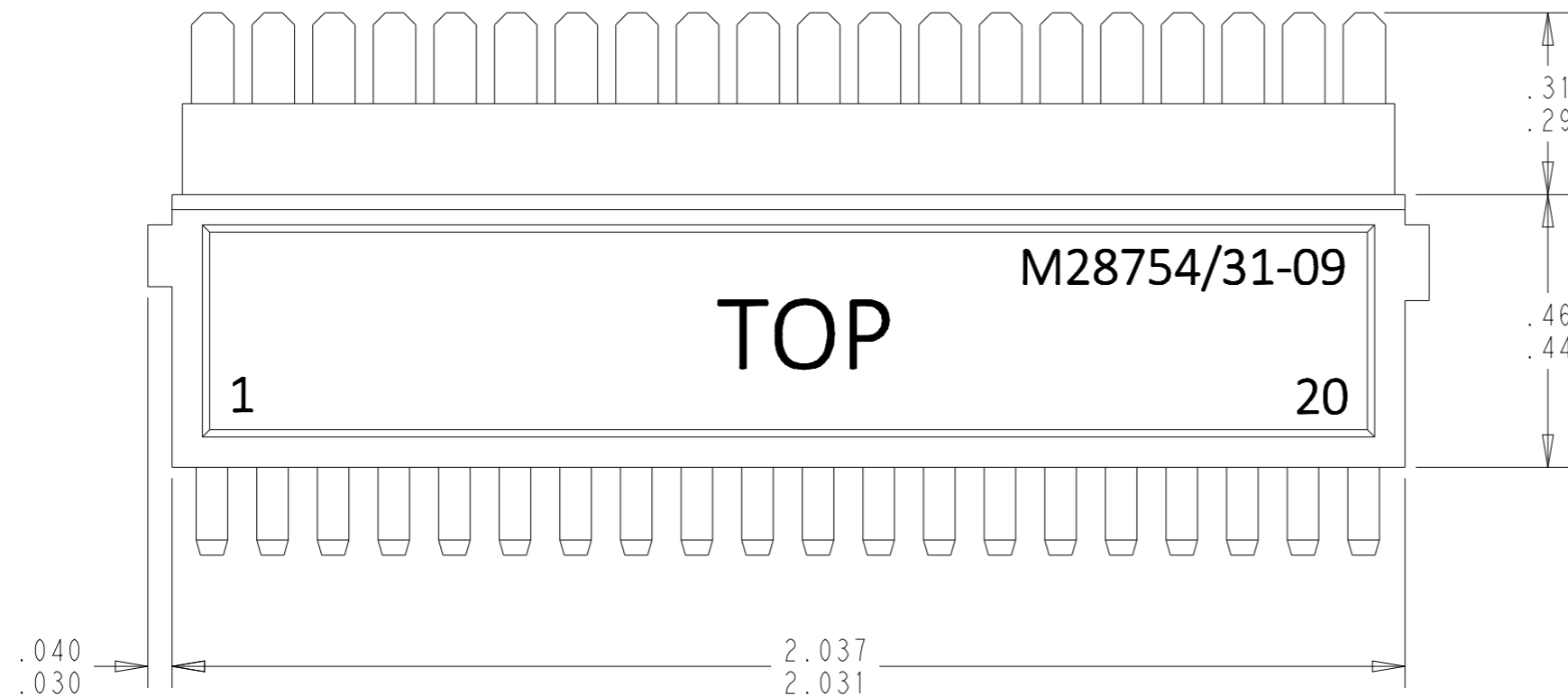


P	LTR	DESCRIPTION	DATE	DWN	APVD
	A	INITIAL RELEASE	30MAR2022	AD	JM



NOTES:

- 1 THIS CONNECTOR IS MADE PER MIL-DTL-28754/31
- 2. MATERIAL:
  - A) PLASTIC INSERT                      HIGH GRADE POLYARYLENE THERMOPLASTIC
  - B) CONTACT                                1/2 HARD BRASS PER QQ-8-613, COPPER ALLOY 260
- 3. FINISH:
  - B) CONTACT                                GOLD PLATE PER MIL-G-45204

THIS DRAWING IS A CONTROLLED DOCUMENT.		DWN 23MAR2022 ADALBERTO MAYTORENA				
DIMENSIONS: in		CHK 30MAR2022 JUAN MONTEMAYOR				
TOLERANCES UNLESS OTHERWISE SPECIFIED:		APVD 04APR2022 DANIEL CUEVAS	NAME SEM connector M28754/31-09			
		PRODUCT SPEC MIL-DTL-28754/31	APPLICATION SPEC			
MATERIAL SEE NOTES		FINISH SEE NOTES	SIZE A3	CAGE CODE 00779	DRAWING NO G-M28754/31-09	RESTRICTED TO -
CUSTOMER DRAWING			SCALE 3:1	SHEET 1 OF 1	REV A	