



SOLISTRAND

TE Internal #: 696642-1

Ring Terminals & Spade Terminals, Ring Tongue, 4 AWG Wire Size, 100 – 125 mm<sup>2</sup> Wire Size, 33100 – 52600 CMA Wire Size, Stud Size 3/8

[View on TE.com >](#)

Terminals & Splices > Ring Terminals & Spade Terminals



Ring & Spade Terminal Type: **Ring Tongue**

Wire Size: **33100 – 52600 CMA**

Stud Size: **3/8**

**Features**

**Product Type Features**

|  |                    |
|--|--------------------|
| Terminal Features                      | Sheared            |
| Shape Description                      | RING-050           |
| Stud Size                              | 3/8                |
| Sealable                               | No                 |
| Wire Insulation Support Retention Type | Insulation Support |

**Configuration Features**

|                 |       |
|-----------------|-------|
| Number of Holes | 1     |
| Terminal Angle  | 180 ° |

**Body Features**

|                  |         |
|------------------|---------|
| Inspection Slot  | No      |
| Weight per Piece | 5.372 g |

**Contact Features**

|                            |             |
|----------------------------|-------------|
| Ring & Spade Terminal Type | Ring Tongue |
| Barrel Type                | Closed      |
| Terminal Orientation       | Straight    |



|                           |     |
|---------------------------|-----|
| Terminal Plating Material | Tin |
|---------------------------|-----|

### Mechanical Attachment

|                         |         |
|-------------------------|---------|
| Wire Insulation Support | Without |
|-------------------------|---------|

### Dimensions

|           |                   |
|-----------|-------------------|
| Wire Size | 33100 – 52600 CMA |
|-----------|-------------------|

|               |                          |
|---------------|--------------------------|
| Stud Diameter | 9.53 mm, 9.91 mm[.39 in] |
|---------------|--------------------------|

|                  |                 |
|------------------|-----------------|
| Tongue Thickness | 1.78 mm[.07 in] |
|------------------|-----------------|

|                        |                    |
|------------------------|--------------------|
| Overall Product Length | 33.63 mm[1.324 in] |
|------------------------|--------------------|

|                        |                  |
|------------------------|------------------|
| Barrel Inside Diameter | 7.52 mm[.296 in] |
|------------------------|------------------|

### Usage Conditions

|                   |             |
|-------------------|-------------|
| Insulation Option | Uninsulated |
|-------------------|-------------|

|                             |                            |
|-----------------------------|----------------------------|
| Operating Temperature Range | -50 – 200 °C[-67 – 392 °F] |
|-----------------------------|----------------------------|

### Operation/Application

|            |    |
|------------|----|
| Heavy Duty | No |
|------------|----|

### Industry Standards

|                      |    |
|----------------------|----|
| Government Qualified | No |
|----------------------|----|

### Packaging Features

|                    |   |
|--------------------|---|
| Packaging Quantity | 1 |
|--------------------|---|

|                  |             |
|------------------|-------------|
| Packaging Method | Loose Piece |
|------------------|-------------|

### Product Compliance

[For compliance documentation, visit the product page on TE.com>](#)

|                              |           |
|------------------------------|-----------|
| EU RoHS Directive 2011/65/EU | Compliant |
|------------------------------|-----------|

|                             |           |
|-----------------------------|-----------|
| EU ELV Directive 2000/53/EC | Compliant |
|-----------------------------|-----------|

|   |   |
|---|---|
| China RoHS 2 Directive MIIT Order No 32, 2016 | No Restricted Materials Above Threshold |
|---|---|

|  |   |
|--|---|
| EU REACH Regulation (EC) No. 1907/2006 | Current ECHA Candidate List: JAN 2023 (233)<br>Candidate List Declared Against: JAN 2023 (233)<br>Does not contain REACH SVHC |
|--|---|

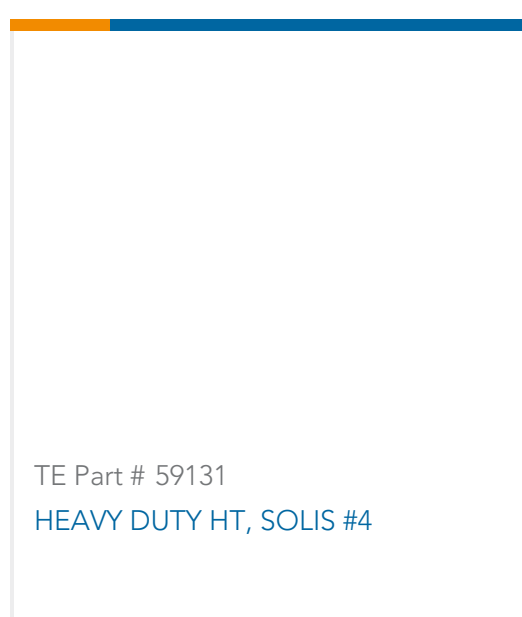
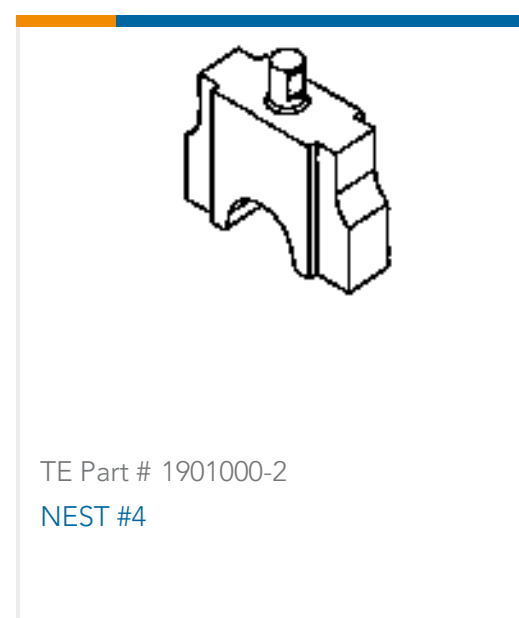
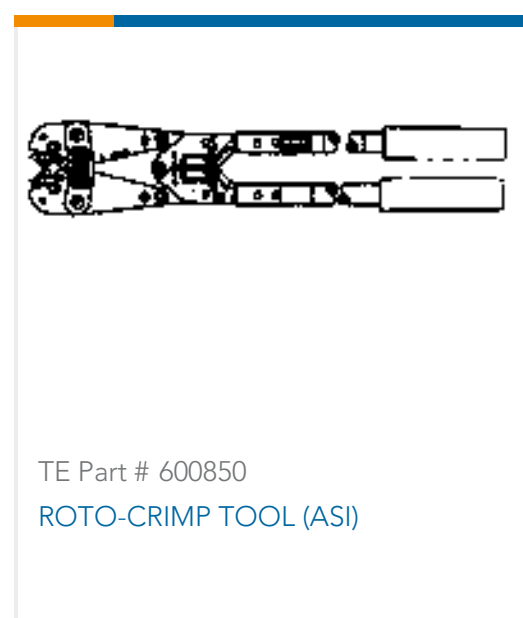
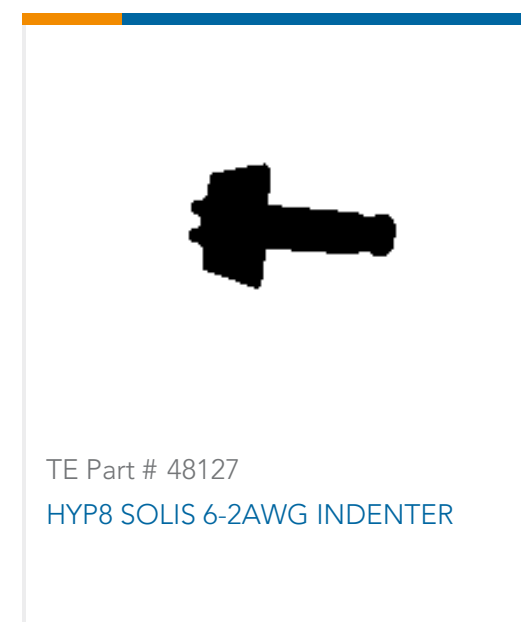
|                 |  |
|-----------------|--|
| Halogen Content | Low Bromine/Chlorine - Br and Cl < 900 ppm per homogenous material. Also BFR /CFR/PVC Free |
|-----------------|--|

|                           |  |
|---------------------------|--|
| Solder Process Capability | Not applicable for solder process capability |
|---------------------------|--|

## Product Compliance Disclaimer

This information is provided based on reasonable inquiry of our suppliers and represents our current actual knowledge based on the information they provided. This information is subject to change. The part numbers that TE has identified as EU RoHS compliant have a maximum concentration of 0.1% by weight in homogenous materials for lead, hexavalent chromium, mercury, PBB, PBDE, DBP, BBP, DEHP, DIBP, and 0.01% for cadmium, or qualify for an exemption to these limits as defined in the Annexes of Directive 2011/65/EU (RoHS2). Finished electrical and electronic equipment products will be CE marked as required by Directive 2011/65/EU. Components may not be CE marked. Additionally, the part numbers that TE has identified as EU ELV compliant have a maximum concentration of 0.1% by weight in homogenous materials for lead, hexavalent chromium, and mercury, and 0.01% for cadmium, or qualify for an exemption to these limits as defined in the Annexes of Directive 2000/53/EC (ELV). Regarding the REACH Regulation, the information TE provides on SVHC in articles for this part number is based on the latest European Chemicals Agency (ECHA) 'Guidance on requirements for substances in articles' posted at this URL: <https://echa.europa.eu/guidance-documents/guidance-on-reach>

## Compatible Parts



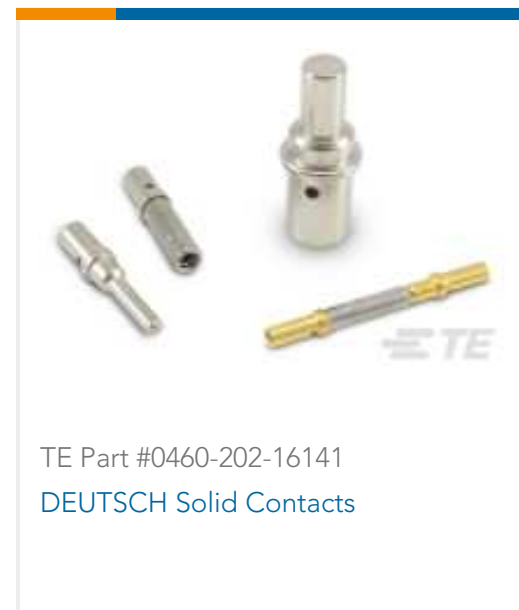
## Customers Also Bought



TE Part #DT04-2P  
REC, 2P, GRY, N



TE Part #W2S  
DEUTSCH DT Wedgelocks



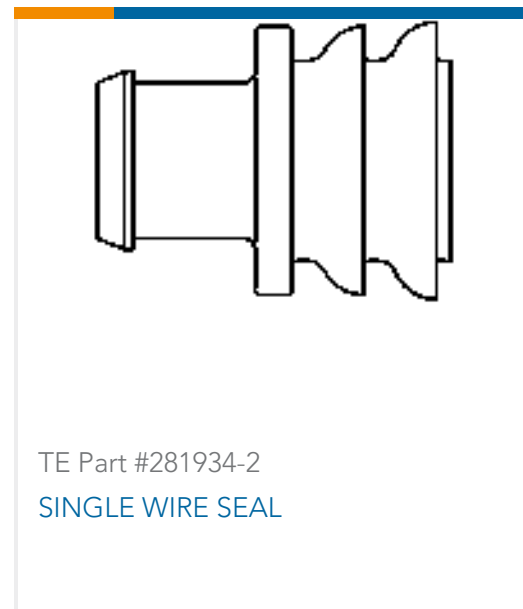
TE Part #0460-202-16141  
DEUTSCH Solid Contacts



TE Part #282104-1  
AMP SUPERSEAL 1.5MM,  
CONNECTOR HOUSING



TE Part #206070-8  
CABLE CLAMP KIT #17



TE Part #281934-2  
SINGLE WIRE SEAL



TE Part #DT06-2S  
PLG, 2P, GRY, N

## Documents

### Product Drawings

[KIT-4,3/8,NI+RT555-.500X1.50](#)

English

### CAD Files

[3D PDF](#)

3D

Customer View Model

[ENG\\_CVM\\_CVM\\_696642-1\\_B.2d\\_dxf.zip](#)

English

Customer View Model

[ENG\\_CVM\\_CVM\\_696642-1\\_B.3d\\_igs.zip](#)

English

Customer View Model

[ENG\\_CVM\\_CVM\\_696642-1\\_B.3d\\_stp.zip](#)

English

By downloading the CAD file I accept and agree to the [Terms and Conditions](#) of use.

### Instruction Sheets

[Instruction Sheet \(U.S.\)](#)

English