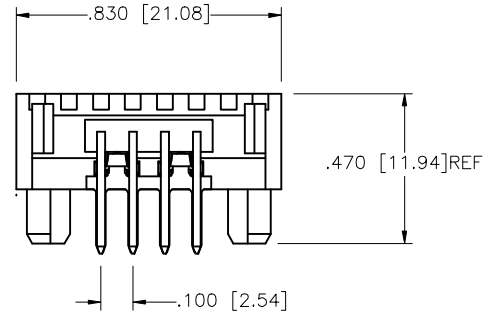
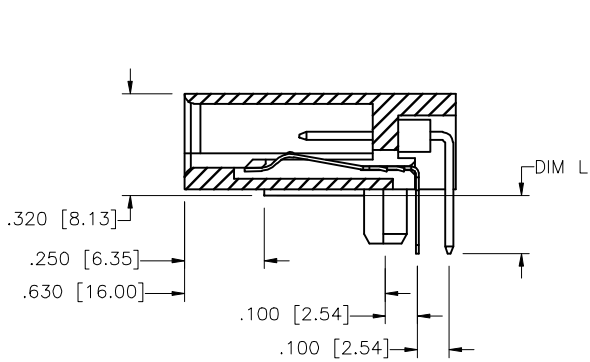
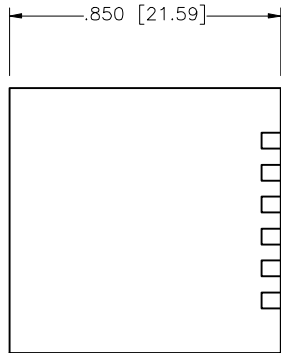


PRODUCT NUMBER
SEE TABLE



mat'l. code				surface ISO 1302	tolerance ISO 406 ISO 1101	projection	product family LATCH-N-LOK
ltr	ecn no	dr	date	tolerances unless otherwise specified		 INCH/MM	title 1X4 LNL RT ANGLE HEADER ASSEMBLY
C	V01795	TFG	9/11/00	angles	$\frac{.XXX+.01/.XX+.03}{.XXX+.006/.XX+.013}$		
D	V10425	TFG	2/7/01	linear	$\frac{.XXX+.0020/.XXX+.0051}{.XXX+.0020/.XXX+.0051}$	scale 1:1	dwg no 69273
E	M05-0033	ERE	2/25/05	0'±2'			sheet 1 of 2 size A3
F	M05-0052	MHT	3/16/05	dr	J. LINN	7/17/90	 type Product Customer Drawing
G	M06-0285	AGS	7/28/06	engr	D. HORCHLER	7/17/90	
H	M06-0365	AGS	9/20/06	chr	D. HORCHLER	7/17/90	
J	M09-0048	MHT	3/12/09	appd	D. HORCHLER	7/17/90	
sheet	revision	J	J				
index	sheet	1	2				

FCJ
 FCconnect.com
 Copyright FCJ

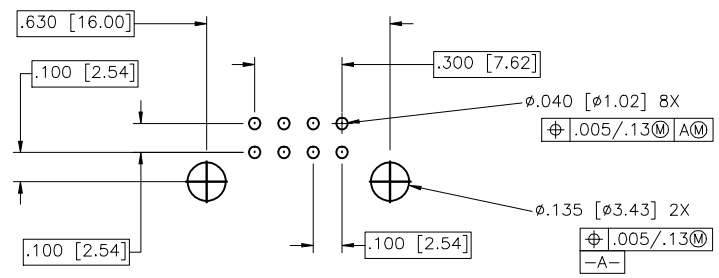
69273-XXXXLF

LEAD FREE OPTION (6) (7)

	COLOR (4)	
1	70343 LT-GRAY	OBS
2	80166 OFF WHITE	
3	70634 DK-GRAY	OBS
4	701 BLACK	
5	70511 SLATE GRAY	OBS
7	70455 SILVER GRAY	
8	80189 PEARL WHITE	OBS
9	70419 PEBBLE GRAY	

	PLATING (8)
0	30u" GXT
3	30u" AU OVER 50u" NI
5	50u" AU OVER 50u" NI

	PIN LENGTH
	DIM L
0	.150/3.81
1	.110/2.79



RECOMMENDED PCB LAYOUT

NOTES:

- HEADER SHROUD
MAT'L: POLYCARBONATE, 94 VO RATED.
- GROUND CONTACT
MAT'L: COPPER ALLOY
PLATING: 100-150u"/2.54-4.06u TIN.
- SIGNAL CONTACT
MAT'L: COPPER ALLOY
PLATING: SEE TABLE
- NUMBERS SHOWN ARE FOR G.E. LEXAN AND ARE FOR REFERENCE ONLY.
- THIS ASSEMBLY U.L. APPROVED PER FILE E66906 VOL. 1, SEC 84 AND CSA APPROVED PER MASTER FILE LR 46923
- ADD LF SUFFIX AT THE END OF PART NUMBER FOR LEAD FREE OPTION.
- THIS PRODUCT MEETS EUROPEAN UNION DIRECTIVES AND OTHER COUNTRY REGULATION AS DESCRIBED IN GS-22-008.
- PLATING OPTIONS:
MAY BE EITHER GOLD OR GXT PLATED AT MANUFACTURER'S OPTION.

mat'l. code		surface	tolerance	projection	product family
		ISO 1302	ISO 406	ISO 1301	LATCH-N-LOK
ltr	ec'n no	dr	date	title	
J				1X4 LNL RT ANGLE HEADER ASSEMBLY	
		angles	linear	INCH/MM	scale 1:1
		0°±2'	XXX±.01/XX±0.3		
			XXX±.006/XX±0.13		
			XXX±.0020/XXX±0.051		
dr	J. LINN	7/17/90	dwg no		
engr	D. HORCHLER	7/17/90	sheet 2 of 2 size		
chr	D. HORCHLER	7/17/90	A3		
appd	D. HORCHLER	7/17/90	type Product Customer Drawing		
sheet	revision				
index	sheet				



Copyright FCJ