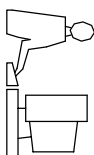


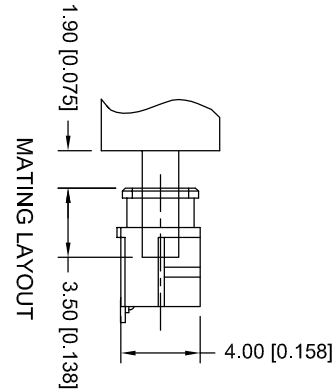
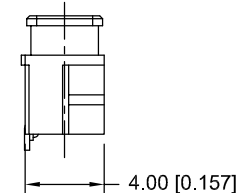
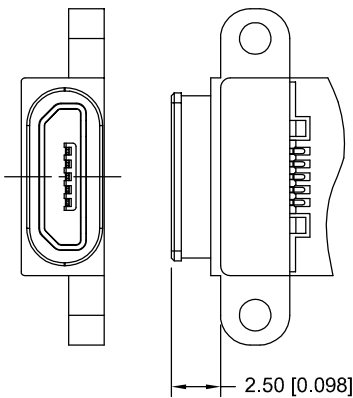
TOLERANCE UNLESS OTHERWISE SPECIFIED IN MM:
 0 ±0.2
 0.00 ±0.1
 0.000 ±0.005

THIS IS A C.A.D. GENERATED DRAWING
 DO NOT MAKE MANUAL REVISIONS TO MASTER.

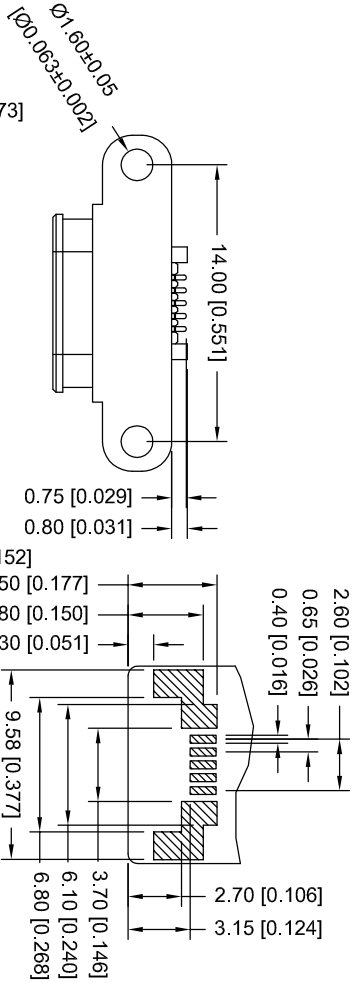


ISSUE NUMBER	①
ORIGINAL	①
ADD PACKAGING SPECS	②
SEE PAGE 2 OF 2	
R:STAMONICA	SEPT.16/2014

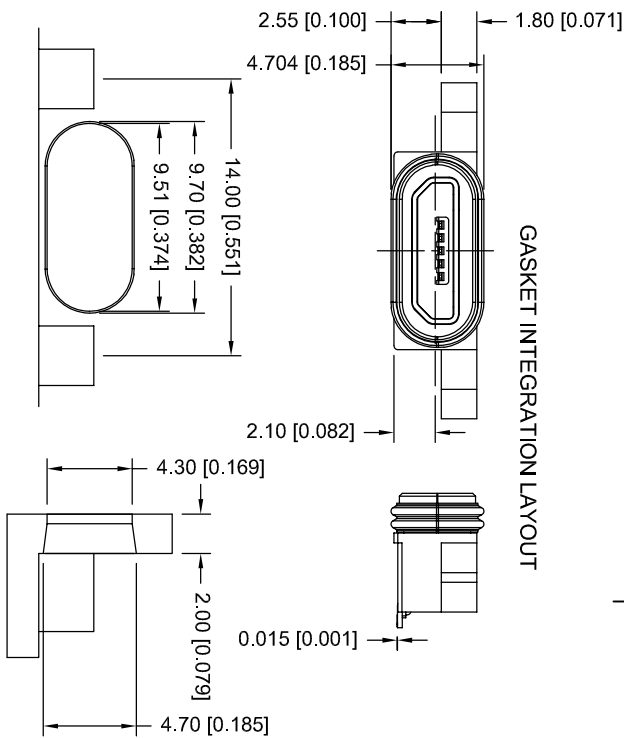
MOUNTING LAYOUT



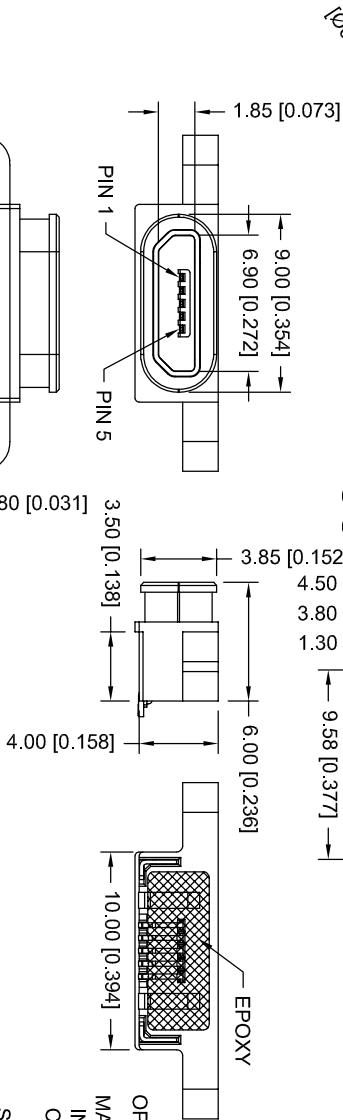
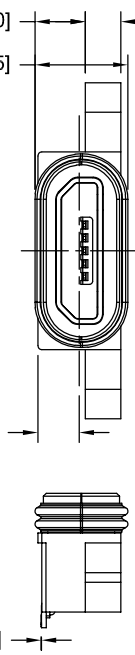
MATING LAYOUT



PANEL MOUNTING LAYOUT

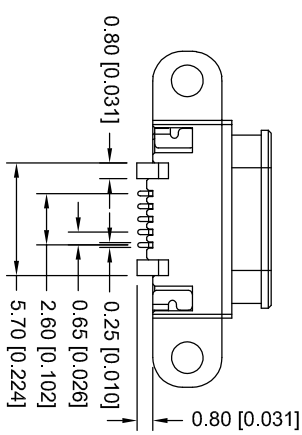


GASKET INTEGRATION LAYOUT



EPOXY

OPERATING TEMPERATURE:-25C TO +85C
 MATERIALS:
 INSULATOR: LCP, UL94 V-0, COLOR: BLACK
 CONTACT: PHOSPHOR BRONZE, WITH 10 µIN OF GOLD PLATING ON CONTACT AREA,
 AND GOLD FLASH ON SOLDER AREA OVER NICKEL UNDERPLATING
 SHELL: STAINLESS STEEL, WITH MATTE TIN PLATING
 O-RING: SILICON
 PAD: BRASS, WITH MATTE TIN PLATING



WATERPROOF MICRO USB 5P(F) SMT TYPE

ACAD REFERENCE NO.: 690-W05-290-483

DRAWN: R.STAMONICA DATE: JAN.20/2014

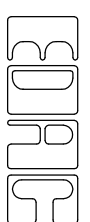
CHECKED: DATE:

PART NUMBER 690-W05-290-483 SHEET 1 OF 2

DRAWING NUMBER 690-W05-290-483 ISSUE 2



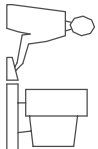
THIS SERIES FULLY CONFORMS TO THE EUROPEAN UNION DIRECTIVES 2002/95/EC AND 2002/96/EC FOR ROHS COMPLIANCY.



EDAC INC
 TORONTO, ONTARIO
 CANADA

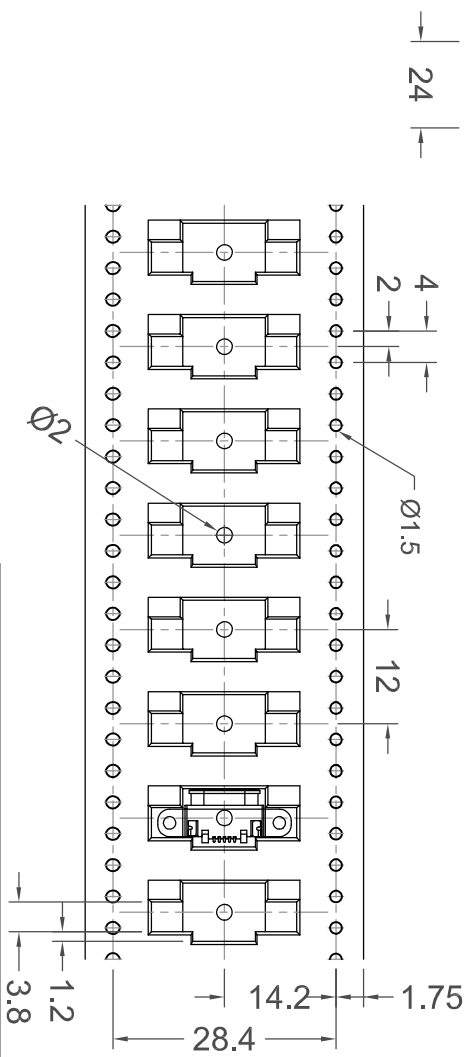
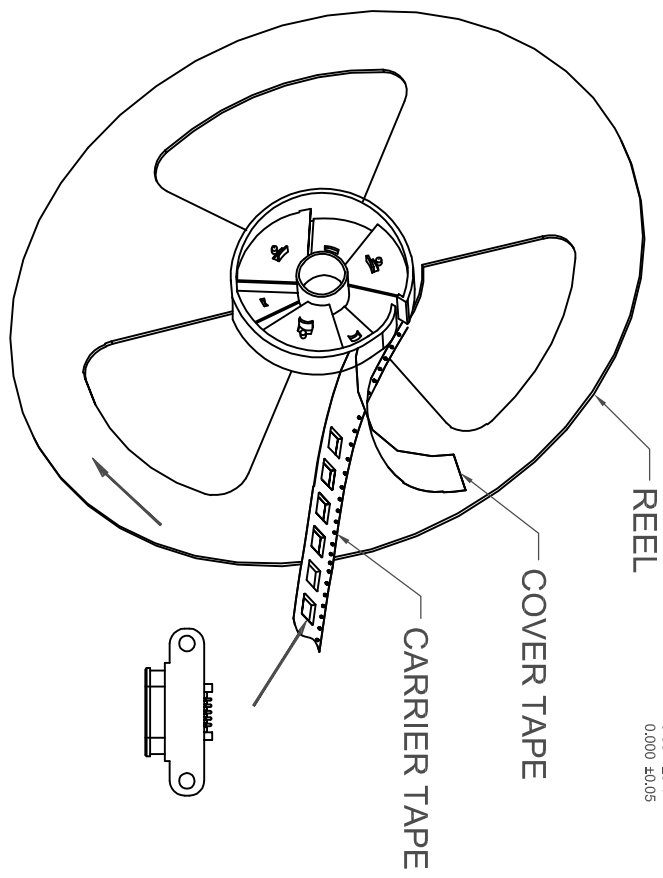
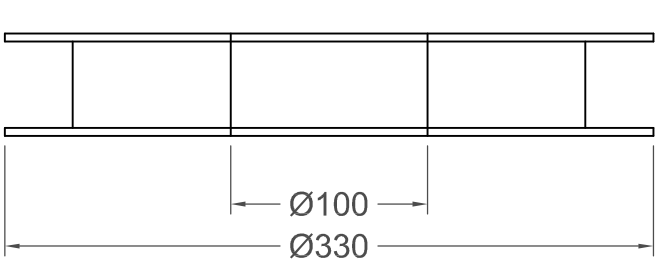
YOUR CONNECTION TO QUALITY & SERVICE

THESE DRAWINGS AND SPECIFICATIONS ARE THE PROPERTY OF EDAC INC. AND SHALL NOT BE REPRODUCED OR COPIED OR USED AS THE BASIS FOR THE MANUFACTURE OR SALE OF APPARATUS WITHOUT WRITTEN PERMISSION.

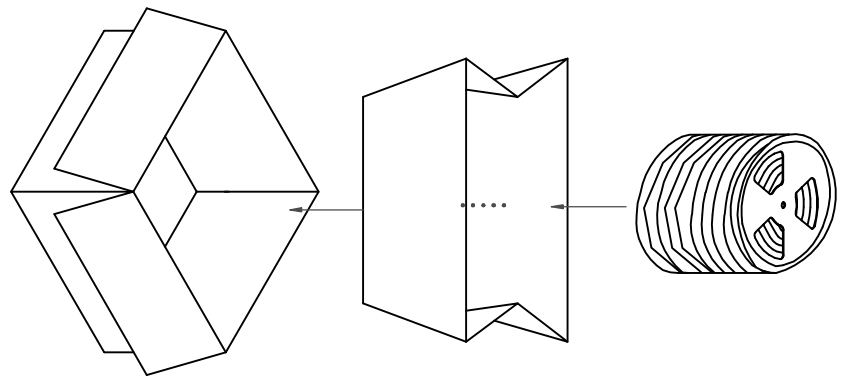


THIS IS A C.A.D. GENERATED DRAWING
DO NOT MAKE MANUAL REVISIONS TO MASTER.

TOLERANCE UNLESS OTHERWISE
SPECIFIED IN MM:
0 ±0.2
0.0 ±0.1
0.000 ±0.05



QUANTITY PER REEL: 1100 PCS

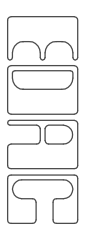


**WATERPROOF MICRO USB 5P(F) SMT TYPE
PACKAGING SPECS**

ACAD REFERENCE NO.:	690-W05-290-483
DRAWN:	R.STA.MONICA
DATE:	SEPT.16/2014
CHECKED:	DATE:
PART NUMBER	690-W05-290-483
DRAWING NUMBER	690-W05-290-483
SHEET 2 OF 2	ISSUE
	2



THIS SERIES FULLY CONFORMS TO THE
EUROPEAN UNION DIRECTIVES 2002/95/EC
AND 2002/96/EC FOR ROHS COMPLIANCY.



EDAC INC
TORONTO, ONTARIO
CANADA

YOUR CONNECTION TO QUALITY & SERVICE

THESE DRAWINGS AND SPECIFICATIONS
ARE THE PROPERTY OF EDAC INC. AND
SHALL NOT BE REPRODUCED OR COPIED
OR USED AS THE BASIS FOR THE
MANUFACTURE OR SALE OF APPARATUS
WITHOUT WRITTEN PERMISSION.