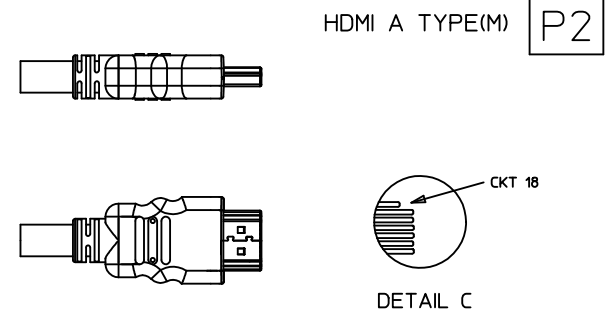
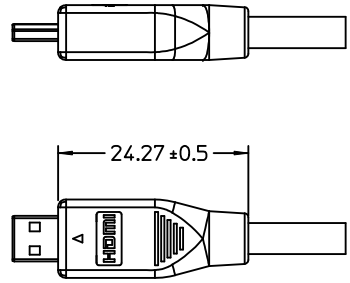
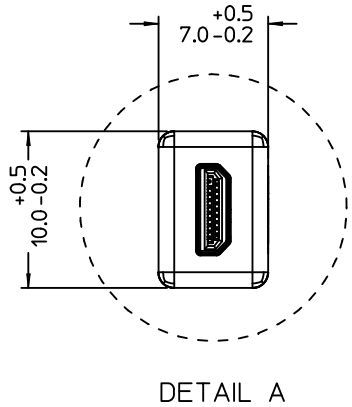
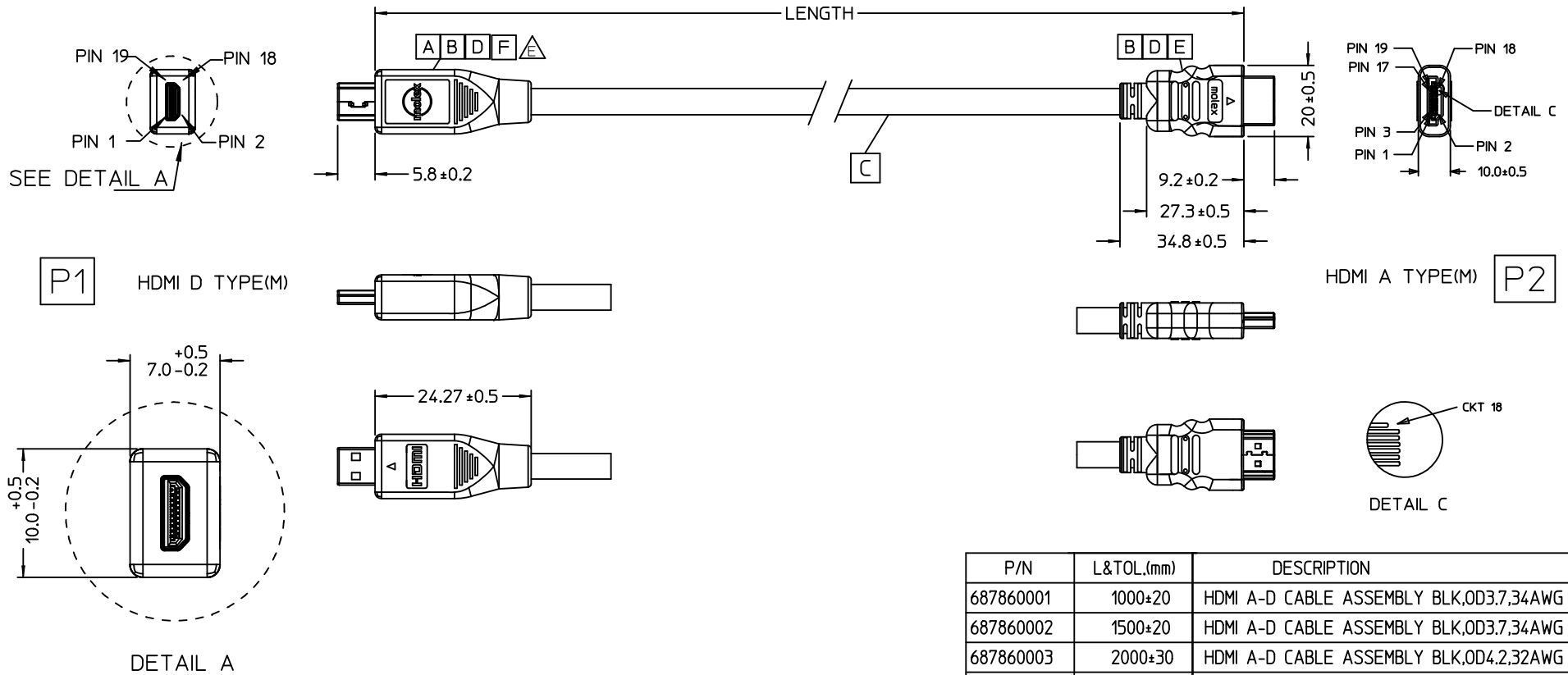


7	6	5	4	3	2	1	
ECN NO		REV.		DESCRIPTION			CHANGER
CY11-6409		E		ADD NOTE ABOUT WIRE CHART & WIRE HOLDER IN BOM			JLIU13



P/N	L&TOL.(mm)	DESCRIPTION
687860001	1000±20	HDMI A-D CABLE ASSEMBLY BLK,OD3.7,34AWG
687860002	1500±20	HDMI A-D CABLE ASSEMBLY BLK,OD3.7,34AWG
687860003	2000±30	HDMI A-D CABLE ASSEMBLY BLK,OD4.2,32AWG
687860006	1500±20	HDMI A-D CABLE ASSEMBLY BLK,OD3.2,36AWG

<b>ENTER DESCRIPTION</b> EC NO: DG2011-0408 DRWN:FZHANG01 2011/04/22 CHKD:JLIU13 2011/04/22 APPR:ZXDENG 2011/04/25	<b>QUALITY SYMBOLS</b>  	<b>GENERAL TOLERANCES (UNLESS SPECIFIED)</b>		<b>DIMENSION STYLE</b> MM ONLY		<b>SCALE</b> ---	<b>DESIGN UNITS</b> METRIC	<b>THIRD ANGLE PROJECTION</b>	
		4 PLACES	± ---	± ---	DRAWN BY FZHANG01	DATE 2010/02/23	<b>TITLE</b> HDMI TYPE A TO TYPE D CABLE ASSEMBLY		
		3 PLACES	± ---	± ---	CHECKED BY ARTHUR	DATE 2010/02/23	<b>MOLEX INCORPORATED</b>		
		2 PLACES	± ---	± ---	APPROVED BY BLAU	DATE 2010/02/24	MATERIAL NO. <b>SEE TABLE</b>	DOCUMENT NO. SD-68786-001	SHEET NO. 1 OF 2
<b>DRAFT WHERE APPLICABLE MUST REMAIN WITHIN DIMENSIONS</b>		ANGULAR ± 1 °		<b>THIS DRAWING CONTAINS INFORMATION THAT IS PROPRIETARY TO MOLEX INCORPORATED AND SHOULD NOT BE USED WITHOUT WRITTEN PERMISSION</b>					

WIRE CHART FOR CABLE 32AWG

P1	FUNCTION	P2	WIRE COLOR
Pin 1	HOT PLUG DETECT	Pin 19	BLACK
Pin 2	UTILITY	Pin14	BROWN
Pin 3	TMDS DATA2+	Pin 1	WHITE
Pin 4	TMDS DATA2 GND	Pin 2	DRAIN WIRE
Pin 5	TMDS DATA2-	Pin 3	RED
Pin 6	TMDS DATA1+	Pin 4	WHITE
Pin 7	TMDS DATA1 GND	Pin 5	DRAIN WIRE
Pin 8	TMDS DATA1-	Pin 6	GREEN
Pin 9	TMDS DATA0+	Pin 7	WHITE
Pin 10	TMDS DATA0 GND	Pin 8	DRAIN WIRE
Pin 11	TMDS DATA0-	Pin 9	BLUE
Pin 12	TMDS CLOCK+	Pin 10	WHITE
Pin 13	TMDS CLOCK GND	Pin 11	DRAIN WIRE
Pin 14	TMDS CLOCK-	Pin 12	YELLOW
Pin 15	CEC	Pin 13	RED
Pin 16	DDC/CEC GND	Pin 17	YELLOW
Pin 17	SCL	Pin 15	GREEN
Pin 18	SDA	Pin 16	BLUE
Pin 19	+5V POWER	Pin 18	WHITE
SHELL		SHELL	BRAID

WIRE CHART FOR CABLE 34AWG

P1	FUNCTION	P2	WIRE COLOR
Pin 1	HOT PLUG DETECT	Pin 19	ORANGE
Pin 2	UTILITY	Pin14	BROWN
Pin 3	TMDS DATA2+	Pin 1	WHITE
Pin 4	TMDS DATA2 GND	Pin 2	DRAIN WIRE
Pin 5	TMDS DATA2-	Pin 3	RED
Pin 6	TMDS DATA1+	Pin 4	WHITE
Pin 7	TMDS DATA1 GND	Pin 5	DRAIN WIRE
Pin 8	TMDS DATA1-	Pin 6	GREEN
Pin 9	TMDS DATA0+	Pin 7	WHITE
Pin 10	TMDS DATA0 GND	Pin 8	DRAIN WIRE
Pin 11	TMDS DATA0-	Pin 9	BROWN
Pin 12	TMDS COLOK+	Pin 10	WHITE
Pin 13	TMDS COLOK GND	Pin 11	DRAIN WIRE
Pin 14	TMDS COLOK-	Pin 12	BLUE
Pin 15	CEC	Pin 13	RED
Pin 16	DDC/CEC GND	Pin 17	YELLOW
Pin 17	SCL	Pin 15	GREEN
Pin 18	SDA	Pin 16	BLUE
Pin 19	+5V POWER	Pin 18	WHITE
SHELL		SHELL	BRAID

WIRE CHART FOR CABLE 36AWG

P1	FUNCTION	P2	WIRE COLOR
Pin 1	HOT PLUG DETECT	Pin 19	RED
Pin 2	UTILITY	Pin14	BLUE
Pin 3	TMDS DATA2+	Pin 1	WHITE
Pin 4	TMDS DATA2 GND	Pin 2	DRAIN WIRE
Pin 5	TMDS DATA2-	Pin 3	RED
Pin 6	TMDS DATA1+	Pin 4	WHITE
Pin 7	TMDS DATA1 GND	Pin 5	DRAIN WIRE
Pin 8	TMDS DATA1-	Pin 6	GREEN
Pin 9	TMDS DATA0+	Pin 7	WHITE
Pin 10	TMDS DATA0 GND	Pin 8	DRAIN WIRE
Pin 11	TMDS DATA0-	Pin 9	BLUE
Pin 12	TMDS COLOK+	Pin 10	WHITE
Pin 13	TMDS COLOK GND	Pin 11	DRAIN WIRE
Pin 14	TMDS COLOK-	Pin 12	BROWN
Pin 15	CEC	Pin 13	WHITE
Pin 16	DDC/CEC GND	Pin 17	GREEN
Pin 17	SCL	Pin 15	BROWN
Pin 18	SDA	Pin 16	YELLOW
Pin 19	+5V POWER	Pin 18	ORANGE
SHELL		SHELL	BRAID

Note: TMDS drain wire can be short.

Note: TMDS drain wire can be short.

Note: TMDS drain wire can be short.

NOTES:

- BOTH SIDE INNERMOLD WITH PE RESIN.  
BOTH SIDE OUTERMOLD WITH PVC RESIN.
- PRODUCT CAN MEET HDMI SPECIFICATION.
- THIS PRODUCT MUST MEET EU2002/95 ROHS REQUIREMENTS.

F	WIRE HOLDER ( ONLY FOR 34AWG & 32AWG )	1																																																												
E	HDMI A HOUSING ASSEMBLY	1																																																												
D	LOCTITE 416 GLUE	AS																																																												
C	RAW CABLE (SEE TABLE)	AS																																																												
B	COPPER FOIL	2																																																												
A	MICRO HDMI CONNECTOR	1																																																												
ITEM	DESCRIPTION	QTY.																																																												
<table border="1"> <thead> <tr> <th colspan="2">GENERAL TOLERANCES (UNLESS SPECIFIED)</th> <th>DIMENSION STYLE</th> <th>SCALE</th> <th>DESIGN UNITS</th> <th>THIRD ANGLE PROJECTION</th> </tr> <tr> <th colspan="2"></th> <th>MM ONLY</th> <th>----</th> <th>METRIC</th> <th></th> </tr> </thead> <tbody> <tr> <td>4 PLACES</td> <td>± --- ± ---</td> <td>DRAWN BY DATE</td> <td colspan="3">TITLE</td> </tr> <tr> <td>3 PLACES</td> <td>± --- ± ---</td> <td>FZHANG01 2010/02/23</td> <td colspan="3">HDMI TYPE A TO TYPE D CABLE ASSEMBLY</td> </tr> <tr> <td>2 PLACES</td> <td>± --- ± ---</td> <td>CHECKED BY DATE</td> <td colspan="3">MOLEX INCORPORATED</td> </tr> <tr> <td>1 PLACE</td> <td>± --- ± ---</td> <td>ARTHUR 2010/02/23</td> <td colspan="3">SD-68786-001</td> </tr> <tr> <td colspan="2">ANGULAR ± 1 °</td> <td>APPROVED BY DATE</td> <td colspan="3">SHEET NO.</td> </tr> <tr> <td colspan="2">DRAFT WHERE APPLICABLE MUST REMAIN WITHIN DIMENSIONS</td> <td>BLAU 2010/02/24</td> <td colspan="3">2 OF 2</td> </tr> <tr> <td colspan="2"></td> <td>MATERIAL NO.</td> <td colspan="3">THIS DRAWING CONTAINS INFORMATION THAT IS PROPRIETARY TO MOLEX INCORPORATED AND SHOULD NOT BE USED WITHOUT WRITTEN PERMISSION</td> </tr> <tr> <td colspan="2"></td> <td>SEE TABLE</td> <td colspan="3"></td> </tr> </tbody> </table>			GENERAL TOLERANCES (UNLESS SPECIFIED)		DIMENSION STYLE	SCALE	DESIGN UNITS	THIRD ANGLE PROJECTION			MM ONLY	----	METRIC		4 PLACES	± --- ± ---	DRAWN BY DATE	TITLE			3 PLACES	± --- ± ---	FZHANG01 2010/02/23	HDMI TYPE A TO TYPE D CABLE ASSEMBLY			2 PLACES	± --- ± ---	CHECKED BY DATE	MOLEX INCORPORATED			1 PLACE	± --- ± ---	ARTHUR 2010/02/23	SD-68786-001			ANGULAR ± 1 °		APPROVED BY DATE	SHEET NO.			DRAFT WHERE APPLICABLE MUST REMAIN WITHIN DIMENSIONS		BLAU 2010/02/24	2 OF 2					MATERIAL NO.	THIS DRAWING CONTAINS INFORMATION THAT IS PROPRIETARY TO MOLEX INCORPORATED AND SHOULD NOT BE USED WITHOUT WRITTEN PERMISSION					SEE TABLE			
GENERAL TOLERANCES (UNLESS SPECIFIED)		DIMENSION STYLE	SCALE	DESIGN UNITS	THIRD ANGLE PROJECTION																																																									
		MM ONLY	----	METRIC																																																										
4 PLACES	± --- ± ---	DRAWN BY DATE	TITLE																																																											
3 PLACES	± --- ± ---	FZHANG01 2010/02/23	HDMI TYPE A TO TYPE D CABLE ASSEMBLY																																																											
2 PLACES	± --- ± ---	CHECKED BY DATE	MOLEX INCORPORATED																																																											
1 PLACE	± --- ± ---	ARTHUR 2010/02/23	SD-68786-001																																																											
ANGULAR ± 1 °		APPROVED BY DATE	SHEET NO.																																																											
DRAFT WHERE APPLICABLE MUST REMAIN WITHIN DIMENSIONS		BLAU 2010/02/24	2 OF 2																																																											
		MATERIAL NO.	THIS DRAWING CONTAINS INFORMATION THAT IS PROPRIETARY TO MOLEX INCORPORATED AND SHOULD NOT BE USED WITHOUT WRITTEN PERMISSION																																																											
		SEE TABLE																																																												

ENTER DESCRIPTION	QUALITY SYMBOLS
EC NO: DG2011-0408	=0
DRWN:FZHANG01 2011/04/22	=0
CHKD:JLJU13 2011/04/22	
APPR:ZXDENG 2011/04/25	
DESCRIPTION	
REV	