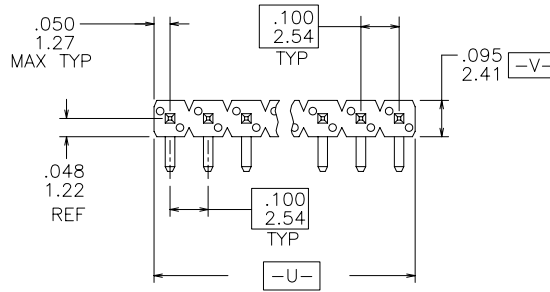


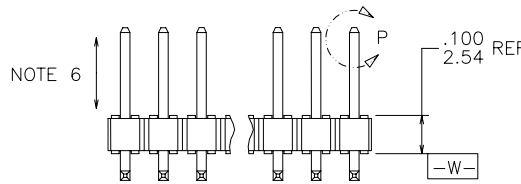
PRODUCT NUMBER

XXXXX-YYY HTLF

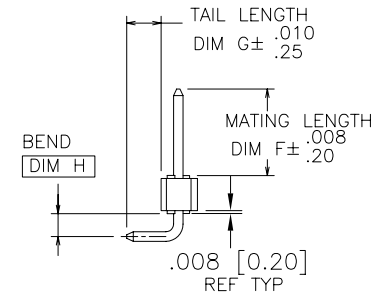
- LEAD FREE OPTION
SEE NOTE 1,8
- TUBE PACKAGING OPTION
SEE NOTE 1
- HIGH TEMPERATURE PLASTIC
SEE NOTE 1
- NO OF POSITIONS
SEE NOTE 1
- PIN PLATING
SEE SHEET 2
- BASE PART NO.



TOP VIEW



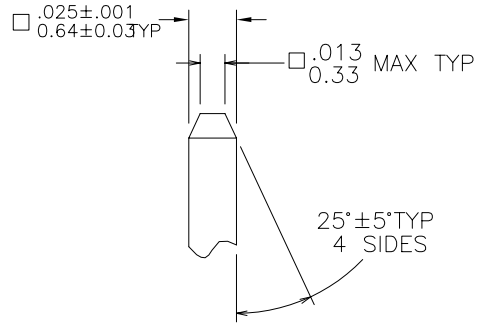
SIDE VIEW



END VIEW

| | | | | | | | |
|--------|------------------|---|---|---|---|---|---|
| ϕ | $\phi .020/0.51$ | M | U | M | V | S | W |
|--------|------------------|---|---|---|---|---|---|

NOTE 4



DETAIL P
TYP BOTH ENDS

| | | | | | | | | | | |
|--------------------------------|----------|-----------------------|----------|----------------------------------|-------------|-----------------------|--|---------------------------------------|--|--|
| mat'l. code SEE NOTES 2 & 3 | | surface ISO 1302 ✓ | | tolerance ISO 406 ISO 1101 | | projection INCH/MM | | product family BERGSTIK | | |
| ltr | | ecn no | | dr | | date | | tolerances unless otherwise specified | | |
| AM | V20790 | GIP | 04/23/02 | angles | linear | .xx±.01/0.3 | title BERGSTIK® II HEADER .100/2.54cc SR R/A | | | |
| AN | V21800 | TAB | 12/17/02 | | | .xxx±.005/0.13 | dwg no 68015 | | | |
| AP | M04-0234 | MHT | 12/29/04 | 0'±2' | | .xxx±.0020/0.051 | sheet 1 of 4 size A3 | | | |
| AR | M05-0072 | MHT | 5/03/05 | dr | T.BREWBAKER | 01/31/95 | type Product Customer Drawing | | | |
| AS | M06-0268 | MHT | 7/17/06 | enfr | T.HANNA | 01/31/95 | | | | |
| AT | M06-0346 | MHT | 9/04/06 | chr | T.HANNA | 01/31/95 | | | | |
| sheet index | | revision | | AT | AT | AT | AT | | | |
| sheet | | 1 2 | | 3 | 4 | | | | | |

| PIN PLATING CODES: | |
|--------------------|---|
| XXXXX-1YY | 30u"/0.76u MIN (SEE NOTE 9) OVER 50u"/1.27u MIN Ni |
| XXXXX-2YY | 15u"/0.38u MIN (SEE NOTE 9) OVER 50u"/1.27u MIN Ni |
| XXXXX-3YY | 50u"/1.27u MIN Au OVER 50u"/1.27u MIN Ni |
| XXXXX-4YY | 100u"/2.54u MIN Sn OVER 50u"/1.27u MIN Ni (SEE NOTE 10) |
| XXXXX-4YYHLF | |
| XXXXX-5YY | 15u"/0.38u MIN (SEE NOTE 9) OVER 50u"/1.27u MIN Ni |
| XXXXX-6YY | 30u"/0.76u MIN (SEE NOTE 9) OVER 50u"/1.27u MIN Ni |
| XXXXX-7YY | 30u"/0.76u MIN Au OVER 50u"/1.27u MIN Ni |
| XXXXX-8YY | 15u"/0.38u MIN Au OVER 50u"/1.27u MIN Ni |
| XXXXX-9YY | 15u"/0.38u MIN GXT OVER 50u"/1.27u MIN Ni |
| XXXXX-0YY | 30u"/0.76u MIN GXT OVER 50u"/1.27u MIN Ni |

NOTES

①. PART NUMBER OPTIONS:

PIN PLATING CODES (SEE ABOVE)

HIGH TEMP. MATERIAL:

FOR HIGH-TEMPERATURE APPLICATIONS, SPECIFY AN "H" AT THE END OF THE PART NUMBER, AND PCT WILL BE SUPPLIED.

NUMBER OF POSITION:

ANY NUMBER OF POSITIONS FROM 1 THRU 36.

PACKAGING:

PACKAGED IN POLY BAGS.

EIGHT DIGIT PART NUMBERS FOLLOWED BY A "T" ARE PACKAGED IN TUBES. SEE SPECIFIC PART NUMBERS FOR AVAILABILITY.

LEAD FREE:

ADD "HLF" SUFFIX AT THE END OF PART NUMBER FOR LEAD FREE OPTION, NOT AVAILABLE FOR -5YY,-5YYH,-6YY & -6YYH.

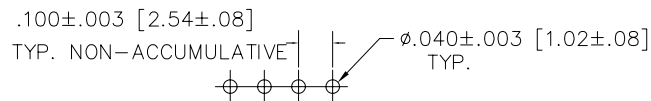
②. BODY MATERIAL:

MANUFACTURER'S OPTION OF NYLON OR PCT, GLASS FIBER REINFORCED, FLAME RETARDENT PER UL-94V-0. COLOR: BLACK.

PART NUMBERS WITH "H" SUFFIX WILL WITHSTAND EXPOSURE TO 260°C PEAK TEMPERATURE FOR 20 SECONDS IN WAVE SOLDER, INFRA-RED OR VAPOR PHASE SOLDER PROCESS.

PART NUMBERS WITHOUT "H" SUFFIX WILL WITHSTAND EXPOSURE TO 260°C PEAK TEMPERATURE FOR WAVE SOLDER PROCESS.

- ③. PIN MATERIAL: PHOS-BRONZE.
- ④. MEASURED WITH PART IN RESTRAINED CONDITION.
- 5. TWO SIDES OF PIN TIPS NOT PLATED. TYPICAL BOTH ENDS.
- ⑥. 2LBS/0.9KG MIN PIN RETENTION IN EITHER DIRECTION.
- 7. MILITARY BERGSTIK HEADER
P/N XXXXX-XYX-MIL
NOT AVAILABLE.
- ⑧. THESE PRODUCTS MEETS EUROPEAN UNION DIRECTIVES AND OTHER COUNTRY REGULATION AS DESCRIBED IN GS-22-008.
- ⑨. PLATING OPTIONS:
MAY BE EITHER GOLD OR GXT PLATED AT MANUFACTURER'S OPTION.
- ⑩. "THIS PRODUCT HAS 100% TIN PLATING IN THE INTERFACE AND HAS NOT BEEN TESTED FOR WHISKER GROWTH IN ALL INTERCONNECT ENVIRONMENTS."



RECOMMENDED HOLE PATTERN

| | | | | | | | | | |
|--------------------------------|----------------|-----------------------|----|----------------------------------|--|---------------------------------------|--------|-------------------------------|--|
| mat'l. code SEE NOTES 2 & 3 | | surface ISO 1302 ✓ | | tolerance ISO 406 ISO 1101 | | projection ⊕ | | product family BERGSTIK | |
| ltr | ecn | no | dr | date | | tolerances unless otherwise specified | | title | |
| AT | | | | | | angles | linear | BERGSTIK® II HEADER | |
| | | | | | | 0'±2' | | .100/2.54cc SR R/A | |
| | | | | | | | | scale 2:1 | |
| | | | | dr | | T.BREWBAKER 01/31/95 | | dwg no | |
| | | | | enr | | T.HANNA 01/31/95 | | sheet 2 of 4 size | |
| | | | | chr | | T.HANNA 01/31/95 | | 68015 A3 | |
| | | | | appd | | T.HANNA 01/31/95 | | type Product Customer Drawing | |
| sheet index | revision sheet | | | | | | | | |

| PRODUCT NUMBER | MATING LENGTH | | TAIL LENGTH | | BEND DIM | | PACKAGING | LF OPTION |
|----------------|---------------|--------|-------------|--------|----------|--------|-----------------|--------------|
| | DIM F | DIM F | DIM G | DIM G | DIM H | DIM H | | |
| | ENGLISH | METRIC | ENGLISH | METRIC | ENGLISH | METRIC | | |
| 68015-YYY | 0.230 | 5.84 | 0.090 | 2.29 | 0.060 | 1.52 | POLY BAGS/TUBES | NOTE 1,8 |
| 68016-YYY | 0.230 | 5.84 | 0.120 | 3.05 | 0.060 | 1.52 | POLY BAGS/TUBES | |
| 68023-YYY | 0.135 | 3.43 | 0.305 | 7.75 | 0.135 | 3.43 | POLY BAGS | |
| 68417-YYY | 0.230 | 5.84 | 0.390 | 9.91 | 0.060 | 1.52 | POLY BAGS | |
| 68423-YYY | 0.318 | 8.08 | 0.120 | 3.05 | 0.060 | 1.52 | POLY BAGS/TUBES | |
| 68458-YYY | 0.318 | 8.08 | 0.110 | 2.79 | 0.060 | 1.52 | POLY BAGS | |
| 68461-YYY | 0.400 | 10.16 | 0.320 | 8.13 | 0.260 | 6.60 | POLY BAGS | |
| 68468-YYY | 0.230 | 5.84 | 0.195 | 4.95 | 0.160 | 4.06 | POLY BAGS | |
| 68488-YYY | 0.230 | 5.84 | 0.180 | 4.57 | 0.060 | 1.52 | POLY BAGS | |
| 68494-YYY | 0.400 | 10.16 | 0.110 | 2.79 | 0.060 | 1.52 | POLY BAGS | |
| 68498-YYY | 0.230 | 5.84 | 0.220 | 5.59 | 0.160 | 4.06 | POLY BAGS | |
| 68626-YYY | 0.230 | 5.84 | 0.295 | 7.49 | 0.060 | 1.52 | POLY BAGS | |
| 68627-YYY | 0.120 | 3.05 | 0.185 | 4.70 | 0.150 | 3.81 | POLY BAGS | |
| 68628-YYY | 0.230 | 5.84 | 0.590 | 14.99 | 0.060 | 1.52 | POLY BAGS | |
| 68641-YYY | 0.230 | 5.84 | 0.490 | 12.45 | 0.060 | 1.52 | POLY BAGS | |
| 68660-YYY | 0.110 | 2.79 | 0.230 | 5.84 | 0.135 | 3.43 | POLY BAGS | |
| 68694-YYY | 0.600 | 15.24 | 0.120 | 3.05 | 0.060 | 1.52 | POLY BAGS | |
| 68757-YYY | 0.350 | 8.89 | 0.220 | 5.59 | 0.100 | 2.54 | POLY BAGS | |
| 68758-YYY | 0.275 | 6.99 | 0.120 | 3.05 | 0.060 | 1.52 | POLY BAGS | |
| 68764-YYY | 0.100 | 2.54 | 0.120 | 3.05 | 0.060 | 1.52 | POLY BAGS | |
| 68782-YYY | 0.318 | 8.08 | 0.180 | 4.57 | 0.060 | 1.52 | POLY BAGS | |
| 68798-YYY | 0.110 | 2.79 | 0.230 | 5.84 | 0.160 | 4.06 | POLY BAGS | |
| 69189-YYY | 0.310 | 7.87 | 0.250 | 6.35 | 0.060 | 1.52 | POLY BAGS | |
| 71270-YYY | 0.600 | 15.24 | 0.189 | 4.80 | 0.060 | 1.52 | POLY BAGS | |
| 72342-YYY | 0.120 | 3.05 | 0.250 | 6.35 | 0.060 | 1.52 | POLY BAGS | |
| 78230-YYY | 0.310 | 7.87 | 0.330 | 8.38 | 0.060 | 1.52 | POLY BAGS | |
| 78231-YYY | 0.310 | 7.87 | 0.290 | 7.37 | 0.060 | 1.52 | POLY BAGS | |

| | | | | | |
|--------------------------------|----------------|-----------------------|----------------------------------|----------------------|---------------------------------------|
| mat'l. code SEE NOTES 2 & 3 | | surface ISO 1302 ✓ | tolerance ISO 406 ISO 1101 | projection | product family BERGSTIK |
| ltr | ecn | no | dr | date | tolerances unless otherwise specified |
| AT | | | | | angles linear .xx±.01/0.3 |
| | | | | | 0'±2' .xxx±.005/0.13 |
| | | | | | .xxx±.0020/0.051 |
| | | | dr | T.BREWBAKER 01/31/95 | INCH/MM |
| | | | enr | T.HANNA 01/31/95 | scale 2:1 |
| | | | chr | T.HANNA 01/31/95 | |
| | | | appd | T.HANNA 01/31/95 | |
| sheet index | revision sheet | | | | |

| | |
|--|-------------------------|
| title BERGSTIK® II HEADER .100/2.54cc SR R/A | |
| dwg no 68015 | sheet 3 of 4 size A3 |
| type Product Customer Drawing | |



Copyright FCI

| PRODUCT NUMBER | MATING LENGTH | | TAIL LENGTH | | BEND DIM | | PACKAGING | LF OPTION |
|----------------|---------------|--------|-------------|--------|----------|--------|-----------|--------------|
| | DIM F | DIM F | DIM G | DIM G | DIM H | DIM H | | |
| | ENGLISH | METRIC | ENGLISH | METRIC | ENGLISH | METRIC | | |
| 78234-YYY | 0.230 | 5.84 | 0.140 | 3.56 | 0.160 | 4.06 | POLY BAGS | NOTE 1,8 |
| 78541-YYY | 0.318 | 8.08 | 0.080 | 2.03 | 0.060 | 1.52 | POLY BAGS | |
| 78587-YYY | | | UNAVAILABLE | | | | | |
| 78938-YYY | 0.120 | 3.05 | 0.120 | 3.05 | 0.060 | 1.52 | POLY BAGS | |
| 78955-YYY | 0.075 | 1.91 | 0.090 | 2.29 | 0.060 | 1.52 | POLY BAGS | |
| 78978-YYY | 0.120 | 3.05 | 0.318 | 8.08 | 0.135 | 3.43 | POLY BAGS | |
| 79409-YYY | | | UNAVAILABLE | | | | | |
| 84846-YYYH | 0.140 | 3.56 | 0.290 | 7.37 | 0.153 | 3.89 | POLY BAGS | |
| 84917-YYYH | 0.090 | 2.29 | 0.195 | 4.95 | 0.190 | 4.83 | POLY BAGS | |
| 84935-YYYH | 0.450 | 11.43 | 0.320 | 8.13 | 0.260 | 6.60 | POLY BAGS | |
| 84936-YYYH | 0.350 | 8.89 | 0.120 | 3.05 | 0.060 | 1.52 | POLY BAGS | |
| 87532-YYYH | 0.230 | 5.84 | 0.890 | 22.61 | 0.060 | 1.52 | POLY BAGS | |
| 88813-YYY | 0.230 | 5.84 | 0.085 | 2.16 | 0.060 | 1.52 | POLY BAGS | |
| 92050-YYY | 0.162 | 4.11 | 0.120 | 3.05 | 0.060 | 1.52 | POLY BAGS | |
| 92632-YYY | 0.100 | 2.54 | 0.318 | 8.08 | 0.060 | 1.52 | POLY BAGS | |
| 92909-YYY | 0.400 | 10.16 | 0.220 | 5.59 | 0.060 | 1.52 | POLY BAGS | |
| 94099-YYY | 0.157 | 3.99 | 0.090 | 2.29 | 0.060 | 1.52 | POLY BAGS | |
| 94529-YYYH | 0.120 | 3.05 | 0.295 | 7.49 | 0.135 | 3.43 | POLY BAGS | |
| 94671-YYYH | 0.090 | 2.29 | 0.085 | 2.16 | 0.180 | 4.57 | POLY BAGS | |
| 95653-YYYH | 0.330 | 8.38 | 0.310 | 7.87 | 0.160 | 4.06 | POLY BAGS | |
| 95666-YYYH | 0.230 | 5.84 | 0.145 | 3.68 | 0.060 | 1.52 | POLY BAGS | |



FCJconnect.com

Copyright FCJ

| | | | | | | | | | |
|--------------------------------|----------------|-----------------------|----|----------------------------------|--|---------------------------------------|------------------|----------------------------|-------------------------------|
| mat'l. code SEE NOTES 2 & 3 | | surface ISO 1302 ✓ | | tolerance ISO 406 ISO 1101 | | projection | | product family BERGSTIK | |
| ltr | ecn | no | dr | date | | tolerances unless otherwise specified | | title | |
| AT | | | | | | angles | linear | BERGSTIK® II HEADER | |
| | | | | | | 0°±2' | .xx±.01/0.3 | .100/2.54cc SR R/A | |
| | | | | | | | .xxx±.005/0.13 | scale 2:1 | |
| | | | | | | | .xxx±.0020/0.051 | dwg no | |
| | | | | | | dr | T.BREWBAKER | 01/31/95 | sheet 4 of 4 size |
| | | | | | | enr | T.HANNA | 01/31/95 | 68015 A3 |
| | | | | | | chr | T.HANNA | 01/31/95 | |
| | | | | | | appd | T.HANNA | 01/31/95 | |
| sheet index | revision sheet | | | | | | | | type Product Customer Drawing |