

PLEASE CHECK WWW.MOLEX.COM FOR LATEST PART INFORMATION

Part Number: [68561-0019](#)
Status: **Active**
Overview: [Serial ATA Products](#)
Description: 1.27mm Pitch Serial ATA IDT Power Latching Adapter Cable Assembly, 0.152m Length, 0.76µm Gold (Au), 5V+12V, Lead-Free

Documents:

[Drawing \(PDF\)](#) [RoHS Certificate of Compliance \(PDF\)](#)

General

Product Family	Cable Assemblies
Series	68561
Connector to Connector	Serial ATA-to-Serial ATA
Overview	Serial ATA Products
Product Name	Serial ATA
UPC	822348496624

Physical

Cable Length	0.152m
Circuits (Loaded)	15
Gender	Male-Female
Lock to Mating Part	Yes
Material - Metal	Stainless Steel
Material - Plating Mating	Gold
Material - Plating Termination	Tin
Net Weight	15.120/g
Packaging Type	Bag
Pitch - Mating Interface	1.27mm
Plating min - Mating	0.762µm
Plating min - Termination	1.905µm
Single Ended	No
Termination Interface: Style	IDT or Pierce
Wire Insulation Diameter	N/A
Wire Size AWG	18
Wire/Cable Type	PVC

Electrical

Current - Maximum per Contact	1.5A
Impedance	100#
Shielded	No
Voltage - Maximum	40V

Material Info

Reference - Drawing Numbers

Sales Drawing	SD-68561-003
---------------	--------------

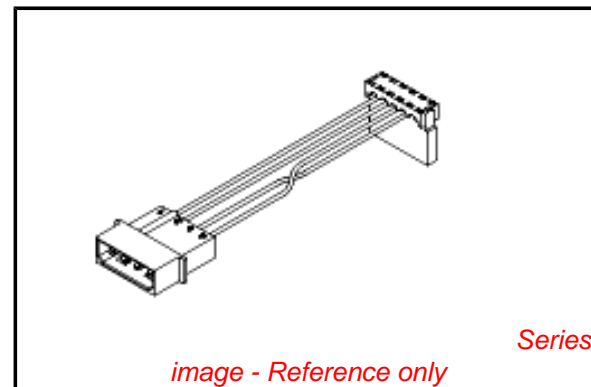


image - Reference only

EU RoHS

**ELV and RoHS
Compliant**

REACH SVHC

Not Reviewed

Low-Halogen Status

Not Low-Halogen

China RoHS



**Need more information on product
environmental compliance?**

Email productcompliance@molex.com
 For a multiple part number RoHS Certificate of Compliance, [click here](#)

Please visit the [Contact Us](#) section for any non-product compliance questions.

Search Parts in this Series

[68561Series](#)