



Certifications & Ratings

- RoHS compliant
- IP66 (protruding type only)

Application

The 678 Series LED Panel Mount Indicators are designed for a variety of applications such as:

- Main power indication
 - Remote power indication
 - Status indication
 - Maintenance and warning indication
 - Instrumentation
- ... and many more!

Dimensions

inches [mm]

Figure 1

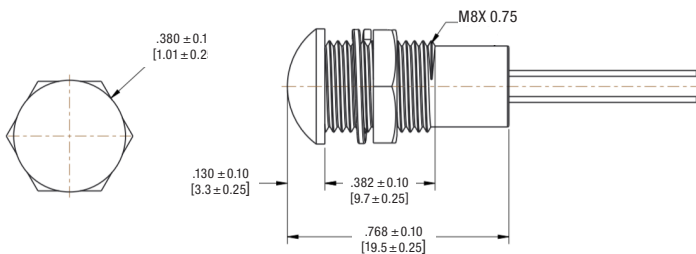


Figure 2

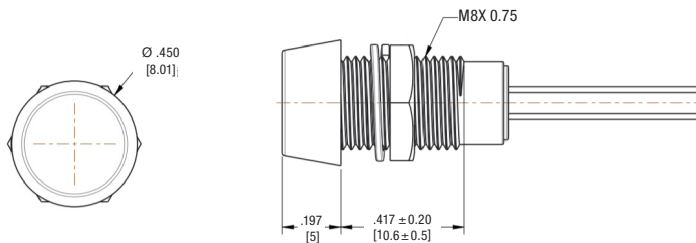
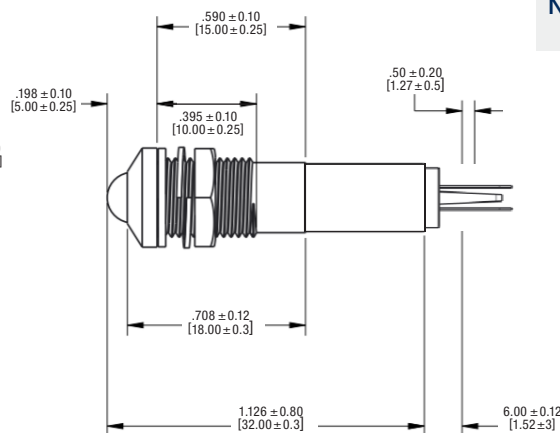
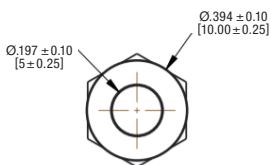


Figure 3

Terminal



Mechanical Information

Mounting Hole Size: 0.323" (8.2 mm) [Fig. 1 & 2];
0.335" (8.5 mm) [Fig. 3]

Max Panel Thickness: see part number table

Mounting Torque: 0.271 lbs/ft (3 kg/cm) [Fig. 1 & 2]
0.362 lbs/ft (5 kg/cm) torque [Fig. 3]

Specifications

Operating Voltage: 2 & 3.3 VDC [Fig. 1 & 2]; 6, 12 & 24 VDC [Fig. 3] (no resistor required)

Operating Temp: -20°C to +75°C (-4°F to 167°F)

Storage Temp: -40°C to +100°C (-40°F to 212°F)

Electrical Connection: Straight leads [Fig. 1 & 2]; Solder terminals or 6" wire leads [Fig. 3]

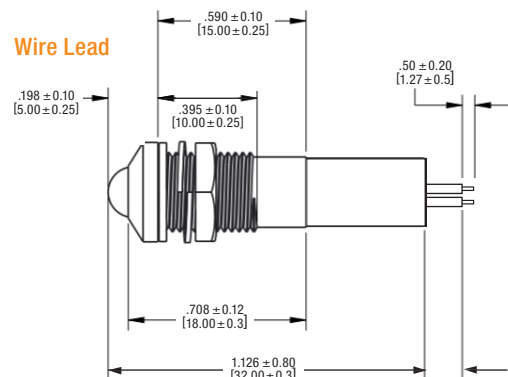
Housing: Protruding: Chrome plated brass;
Internal position: Polycarbonate

Terminals: Copper — Nickel Plated

Lock Washer: Iron — Nickel Plated

Nut: Brass — Nickel Plated

Wire Lead



Ordering Information 678

Part Number	Color	Voltage (V DC)	Current (mA)	Typical Intensity (mcd)	Viewing Angle	LED Position	Fig. #	Mount Style	Panel Thickness
Straight Leads									

Polycarbonate

678-1131-111F	● Red	2	15	2210	4	Internal	1	Lock washer & nut	.2165" (5.5 mm)
678-1231-112F	● Green	3.3		46860					
678-1331-113F	● Orange	2		2210					
678-1431-114F	● Blue	3.3		7100					
678-3131-111F	● Red	2		3020	40		2		
678-3231-112F	● Green	3.3		30600	20				
678-3331-113F	● Orange	2		3260	20				
678-3431-114F	● Blue	3.3		4360	40				

White Nickel

Part Numbers	Part Numbers	Color	Voltage (V DC)	Current (mA)	Typical Intensity (mcd)	Viewing Angle	LED Position	Fig. #	Mount Style	Panel Thickness
Terminals	Wire Leads									
678-1112-321F	678-1115-321F	● Red	6	15	320	20	Protruding	3	Lock washer & nut	.3158" (8.0 mm)
678-1212-322F	678-1215-322F	● Green			2920					
678-1312-323F	678-1315-323F	● Orange			490					
678-1412-324F	678-1415-324F	● Blue			220					
678-1112-331F	678-1115-331F	● Red	12		320					
678-1212-332F	678-1215-332F	● Green			2920					
678-1312-333F	678-1315-333F	● Orange			490					
678-1412-334F	678-1415-334F	● Blue			220					
678-1112-341F	678-1115-341F	● Red	24	320						
678-1212-342F	678-1215-342F	● Green		2920						
678-1312-343F	678-1315-343F	● Orange		490						
678-1412-344F	678-1415-344F	● Blue		220						

Dialight reserves the right to make changes at any time in order to supply the best product possible. The most current version of this document will always be available at: www.dialightsignalsandcomponents.com

Warranty Statement: Except for the warranty expressly provided for [herein/above/below], Dialight disclaims any and all other warranties, express or implied, including, without limitation, any warranties of merchantability, fitness for a particular purpose, title, and noninfringement.