

ASSEMBLY NUMBER	LED COLOR	OPERATING VOLTAGE	REFER TO FIGURE
677-3132-321F	HIGH BRIGHT RED	6VDC	1
677-3135-321F	HIGH BRIGHT RED	6VDC	2
677-3232-322F	HIGH BRIGHT GREEN	6VDC	1
677-3235-322F	HIGH BRIGHT GREEN	6VDC	2
677-3332-323F	HIGH BRIGHT ORANGE	6VDC	1
677-3335-323F	HIGH BRIGHT ORANGE	6VDC	2
677-3432-324F	HIGH BRIGHT BLUE	6VDC	1
677-3435-324F	HIGH BRIGHT BLUE	6VDC	2
677-3132-331F	HIGH BRIGHT RED	12VDC	1
677-3135-331F	HIGH BRIGHT RED	12VDC	2
677-3232-332F	HIGH BRIGHT GREEN	12VDC	1
677-3235-332F	HIGH BRIGHT GREEN	12VDC	2
677-3332-333F	HIGH BRIGHT ORANGE	12VDC	1
677-3335-333F	HIGH BRIGHT ORANGE	12VDC	2
677-3432-334F	HIGH BRIGHT BLUE	12VDC	1
677-3435-334F	HIGH BRIGHT BLUE	12VDC	2
677-3132-341F	HIGH BRIGHT RED	24VDC	1
677-3135-341F	HIGH BRIGHT RED	24VDC	2
677-3232-342F	HIGH BRIGHT GREEN	24VDC	1
677-3235-342F	HIGH BRIGHT GREEN	24VDC	2
677-3332-343F	HIGH BRIGHT ORANGE	24VDC	1
677-3335-343F	HIGH BRIGHT ORANGE	24VDC	2
677-3432-344F	HIGH BRIGHT BLUE	24VDC	1
677-3435-344F	HIGH BRIGHT BLUE	24VDC	2

REV	ECN NO	REVISIONS	DRN	CKD	APP	DATE
A	119360	NEW RELEASE	JSG	JY	JV	18JUN24

NOTES:

- 1, MOUNTING HOLE SIZE: 0.283" (7.2 MM)
- 2, MAX PANEL THICKNESS: 0.187" (4.75 MM)
- 3, MATERIALS:
  - 3.1, HOUSING: POLYCARBONATE.
  - 3.2, MOUNTING HEX NUT: BRASS, NICKEL PLATED.
  - 3.3, SPLIT LOCK WASHER: STEEL, UNI-CHROME PLATED.
  - 3.4, HEADER/INSULATOR: POLYCARBONATE, COLOR: BLACK
  - 3.5, GASKET
- 4, SOLDERABILITY: PER ANSI/IPC-S-805, METHOD A.
- 5, RECOMENDED MOUNTING TORQUE: 0.362 LBS/FT (5 KG/CM)
- 6, RECOMENDED OPERATING CURRENT 15mA.



**ATTENTION:**  
OBSERVE PRECAUTIONS FOR  
HANDLING ELECTROSTATIC  
SENSITIVE DEVICES

THIS DRAWING AND THE CONTENTS HEREIN ARE CONFIDENTIAL AND THE SOLE PROPERTY OF DIALIGHT CORP. REPRODUCTION OF THIS DRAWING OR CONSTRUCTION OF ANY PARTS WITHIN THIS DRAWING ARE FORBIDDEN WITHOUT THE WRITTEN CONSENT OF DIALIGHT CORP.		
SCALE: 3.000 ALL DIM'S: INCH (mm)	DRAWING NUMBER <b>C-18757</b>	REV <b>A</b>
TOLERANCES: UNLESS OTHERWISE SPECIFIED FRACTIONS: ±1/64 DECIMALS (.XX): ±.01 DECIMALS (.XXX): ±.005 DECIMALS (.XXXX): ±.0005 ANGLES: ±1°	TITLE <b>7mm HIGH BRIGHT LED PMI</b>	
FINISH —	MATERIAL —	
FSCM 83330	 1501 ROUTE 34 SOUTH FARMINGDALE, NJ 07727 (732) 919-3119 www.dialight.com	
SHEET 1 OF 2		FAMILY TABLE:

FIGURE 1

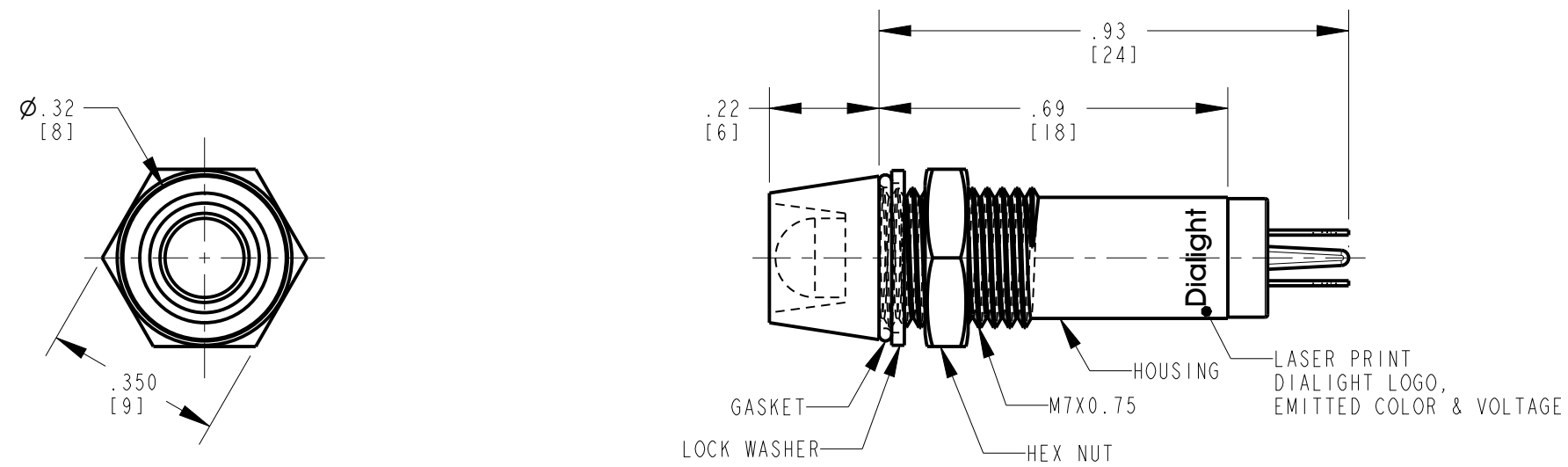
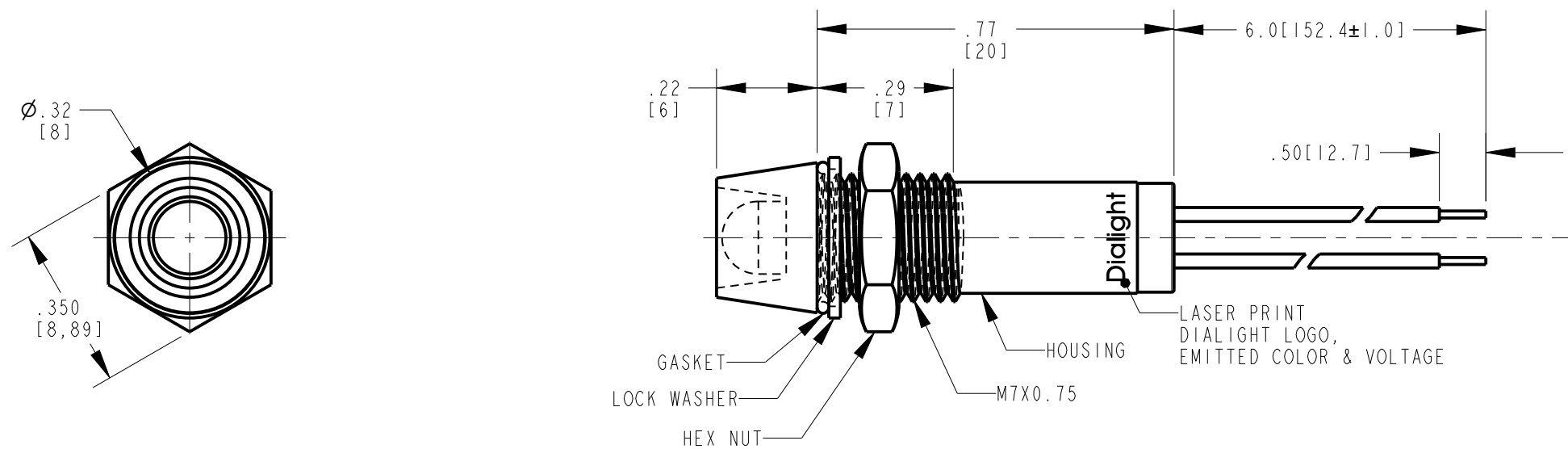


FIGURE 2



**ATTENTION:**  
OBSERVE PRECAUTIONS FOR  
HANDLING ELECTROSTATIC  
SENSITIVE DEVICES

677 SERIES	ABSOLUTE MAXIMUM RATINGS (Ta=25°C)							(IF=20mA) ELECTRO-OPTICAL CHARACTERISTICS								
	FORWARD CURRENT IF(mA)	REVERSE VOLTAGE VR(V)	POWER DISSIPATION PD(mW)	ZENER REVERSE CURRENT IZ(mA)	OPERATING TEMP. Topr(°C)	STORAGE TEMP. Tstg(°C)	ELECTROSTATIC DISCHARGE ESD(V)	FORWARD VOLTAGE VF(V)		ZENER VOLTAGE VZ(V) @5mA	REVERSE CURRENT IR(µA)	LUMINOUS INTENSITY Iv(mcd)		WAVELENGTH (nm)		ANGLE (REF.)
								MIN	MAX			MIN	MAX	MIN	MAX	
RED	30	5	110	100	-40 to +85	-40 to +85	4K	1.8	2.4	5	5	800	1200	620	625	100
GREEN	30	5	110	100	-40 to +85	-40 to +85	—	3.0	3.4	5.2	5	1800	2800	515	520	120
ORANGE	30	5	70	100	-25 to +85	-25 to +85	—	1.8	2.3	5.2	10	600	1000	590	595	120
BLUE	30	5	110	100	-40 to +85	-40 to +85	4K	2.8	3.6	5.2	5	800	1200	460	475	120

THIS DRAWING AND THE CONTENTS HEREIN ARE CONFIDENTIAL AND THE SOLE PROPERTY OF DIALIGHT CORP. REPRODUCTION OF THIS DRAWING OR CONSTRUCTION OF ANY PARTS WITHIN THIS DRAWING ARE FORBIDDEN WITHOUT THE WRITTEN CONSENT OF DIALIGHT CORP.

SCALE: 3.000	DRAWING NUMBER	REV
ALL DIM'S: INCH (mm)	C-18757	A
TOLERANCES: UNLESS OTHERWISE SPECIFIED	TITLE	
FRACTIONS: ±1/64	7mm HIGH BRIGHT LED PMI	
DECIMALS (.XX): ±.01	MATERIAL	
DECIMALS (.XXX): ±.005	—	
DECIMALS (.XXXX): ±.0005	FINISH	
ANGLES: ±1°	—	
FSCM 83330	Dialight	
	1501 ROUTE 34 SOUTH FARMINGDALE, NJ 07727 (732) 919-3119 www.dialight.com	
	SHEET 2 OF 2	FAMILY TABLE: