



### Certifications & Ratings

- RoHS compliant

### Application

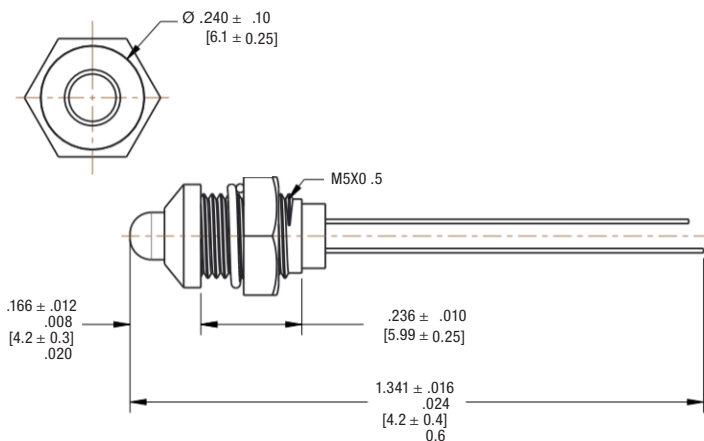
The 675 Series LED Panel Mount Indicators are designed for a variety of applications such as:

- Main power indication
  - Remote power indication
  - Status indication
  - Maintenance and warning indication
  - Instrumentation
- ... and many more!

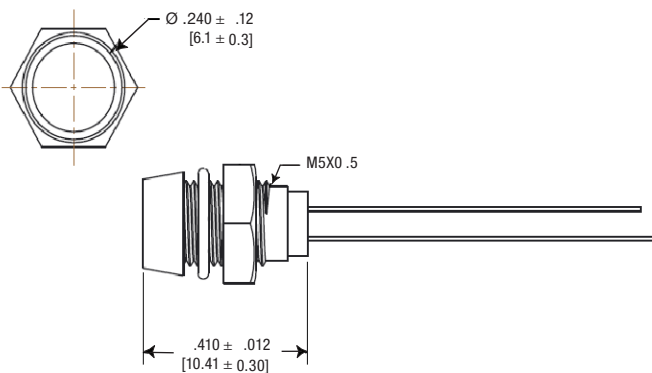
### Dimensions

inches [mm]

#### Protruding



#### Recessed



### Mechanical Information

<b>Mounting Hole Size:</b>	0.205" (5.2 mm)
<b>Max Panel Thickness:</b>	0.138" (3.5 mm)
<b>Mounting Torque:</b>	0.362 lbs/ft (5 kg/cm)

### Specifications

<b>Voltage Options:</b>	2 (red, orange) and 3.3 (green, blue, white) VDC (resistor required on both voltages)
<b>Operating temp:</b>	-30 °C to +85 °C (-22 °F to +185 °F)
<b>Storage Temp:</b>	-40 °C to +100 °C (-40 °F to +212 °F)
<b>Electrical Connection:</b>	Through hole leads
<b>Housing:</b>	Brass—Chrome plated
<b>Terminals:</b>	Copper—Nickel Plated
<b>Lock washer:</b>	Iron—Nickel Plated
<b>Nut:</b>	Brass—Nickel Plated

## Ordering Information 675 Series

Part Number Guide										RoHS Compliant				
6	7	5	-	X	X	1	1	-	1	1	0	F		
LED Position				Color										
Protruding				1	1	● Red								
Recessed				2	2	● Green						3	● Orange	
					4	● Blue								
					5	○ White								

Part Number	Color	Voltage (V DC)	Current (mA)	Typical Intensity (mcd)
-------------	-------	----------------	--------------	-------------------------

### Protruding

675-1111-110F	● Red	2	20	9110
675-1211-110F	● Green	3.3		11380
675-1311-110F	● Orange	2		9110
675-1411-110F	● Blue	3.3		2810
675-1511-110F	○ White	3.3		5100

### Recessed

675-2111-110F	● Red	2	20	5650
675-2211-110F	● Green	3.3		11520
675-2311-110F	● Orange	2		7810
675-2411-110F	● Blue	3.3		3810
675-2511-110F	○ White	3.3		6220

Dialight reserves the right to make changes at any time in order to supply the best product possible. The most current version of this document will always be available at: [www.dialightsignalsandcomponents.com](http://www.dialightsignalsandcomponents.com)

**Warranty Statement:** Except for the warranty expressly provided for [herein/above/below], Dialight disclaims any and all other warranties, express or implied, including, without limitation, any warranties of merchantability, fitness for a particular purpose, title, and noninfringement.