

# Product Data Sheet



## 670A GP XX

Replace "XX" with 01 through 36 for number of poles

**Terminal Block– Closed Back**  
**20 Amps, 250 Volts (AC/DC)**



(6 Pole shown)

### Copper Wire Only

Wire Range with Wire Binding Screw: #12 - #22 AWG (solid recommended)

3/8" Centers

**See table below for Wire Classes and torque**

### Electrical Ratings:

- 20A with unprepared wire, (Based on NEC Table 310-16, 75°C columns)
- 20A with Listed ring lug, (Based on NEC Table 310-16, 75°C columns)
- 250 Volts AC/DC (UL 1059 Class B, User Group – Commercial Appliances)
- Short Circuit Current Rating: 10,000A (Default)
- Approved for Factory and Field Wiring.

### Mechanical Ratings:

- Storage and transportation temperature range: -35°C to 110°C (-31°F to 230°F)\*
- Maximum insulator base temperature: 150°C (302°F)\* UL RTI
- Flammability rating of insulator base: UL 94V-1

\* Use outside these ratings needs to be judged in the end-use application.

### Materials:

- Connector (Contact): Brass, tin plated.
- Insulator base: Phenolic
- Drive screw (Rivet): Stainless steel
- Screw, #6-32 Binder head, Phil-Slot: Steel, nickel plated

### Agency Approvals:

- UL Recognized, UL 1059 Terminal Block Standard, File No. XCFR2.E62806
- CSA Certified, CSA C22.2 No. 158, File No. LR19766
- CE compliant, IEC 60947-7-1
- RoHS Compliant

### Wire Range:

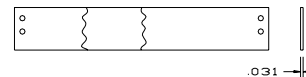
Wire Size	Torque	Copper Wire Stranding Classes - Number of Strands		
		Solid	Class B	Class C
12	9 in. Lbs	1	7	19
14	9 in. Lbs	1	7	19
16	9 in. Lbs	1	7	19
18	9 in. Lbs	1	7	19
20	9 in. Lbs	1	7	19
22	9 in. Lbs	1	7	19

Suggested product mounting hardware: #6 fastener, torque to 10-15 in. lbs.

### ACCESSORIES:

- Printing: for printing options, see Terminal Block Printing  
<http://marathonsp.com/CatalogPDFs/TBPrinting.pdf>

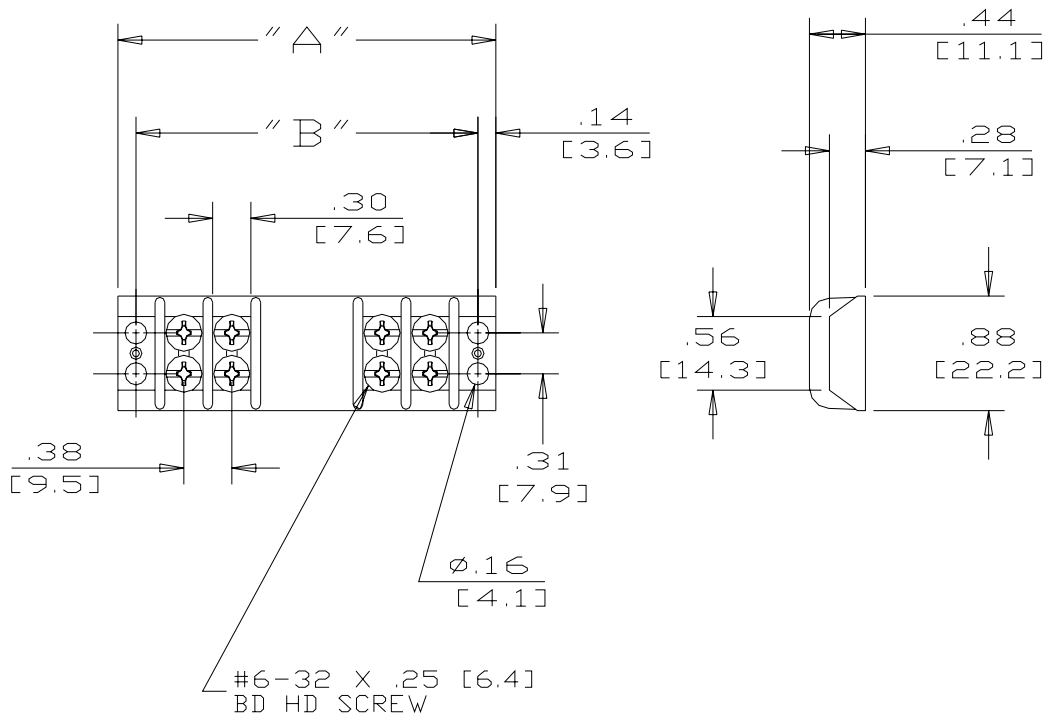
- Marking strips (Sub mounted or Top mounted)  
<http://marathonsp.com/CatalogPDFs/TopMountedMS.pdf>  
<http://marathonsp.com/CatalogPDFs/SubMounted.pdf>



- Cover – top mounted (May not accommodate some hardware options).  
Order CW (white) or CB (Black). Can be printed.  
<http://marathonsp.com/CatalogPDFs/TopMountedCover.pdf>



- Phil-Slot Brass Screw (PSB)



Catalog No	# of Poles	Dimensions			Catalog No	# of Poles	Dimensions	
		A	B				A	B
670A GP 01	1	1.03	0.75	X	670A GP 19	19	7.78	7.50
670A GP 02	2	1.41	1.13	X	670A GP 20	20	8.16	7.88
670A GP 03	3	1.78	1.50	X	670A GP 21	21	8.53	8.25
670A GP 04	4	2.16	1.88	X	670A GP 22	22	8.91	8.63
670A GP 05	5	2.53	2.25	X	670A GP 23	23	9.29	9.01
670A GP 06	6	2.91	2.63	X	670A GP 24	24	9.66	9.38
670A GP 07	7	3.28	3.00	X	670A GP 25	25	10.04	9.76
670A GP 08	8	3.66	3.38	X	670A GP 26	26	10.41	10.13
670A GP 09	9	4.03	3.75	X	670A GP 27	27	10.79	10.51
670A GP 10	10	4.41	4.13	X	670A GP 28	28	11.17	10.89
670A GP 11	11	4.78	4.50	X	670A GP 29	29	11.54	11.26
670A GP 12	12	5.16	4.88	X	670A GP 30	30	11.92	11.64
670A GP 13	13	5.53	5.25	X	670A GP 31	31	12.29	12.01
670A GP 14	14	5.91	5.63	X	670A GP 32	32	12.67	12.39
670A GP 15	15	6.28	6.00	X	670A GP 33	33	13.05	12.77
670A GP 16	16	6.66	6.38	X	670A GP 34	34	13.42	13.14
670A GP 17	17	7.03	6.75	X	670A GP 35	35	13.80	13.52
670A GP 18	18	7.41	7.13	X	670A GP 36	36	14.17	13.89

Top Mounted Hardware is .187" Wide

MM = Dim X 25.4

[WWW.MARATHONSP.COM](http://WWW.MARATHONSP.COM)  
1-419-352-8441