

PRODUCT NUMBER

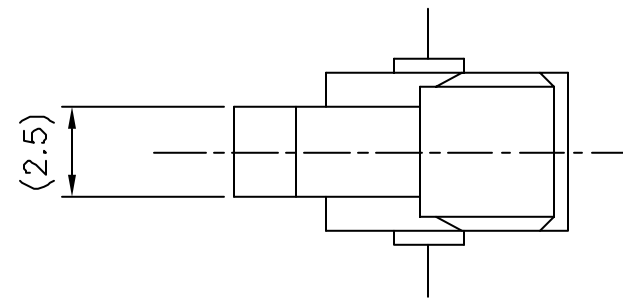
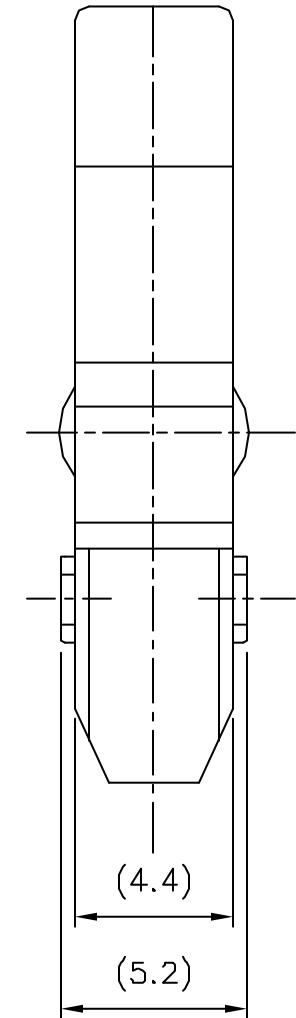
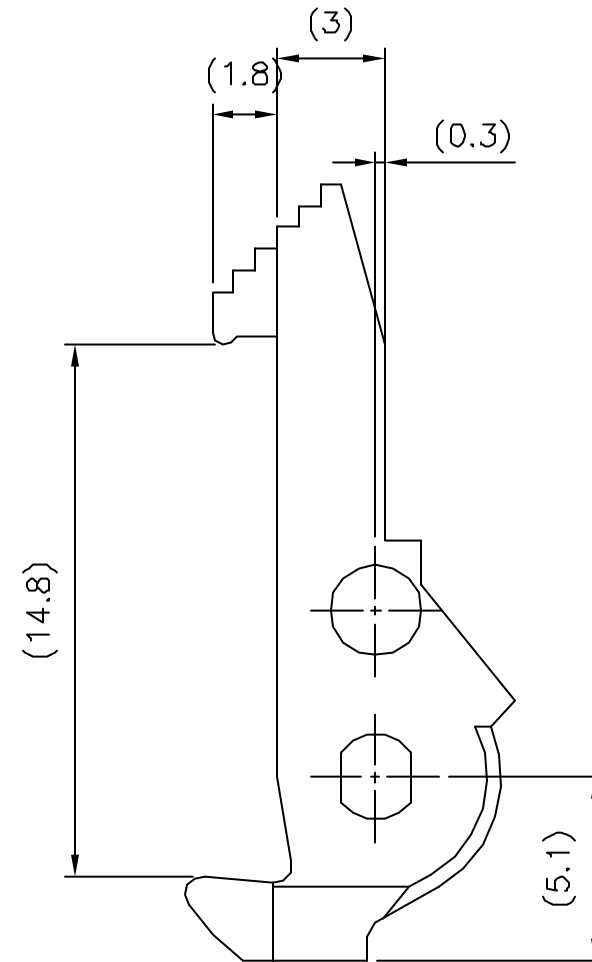
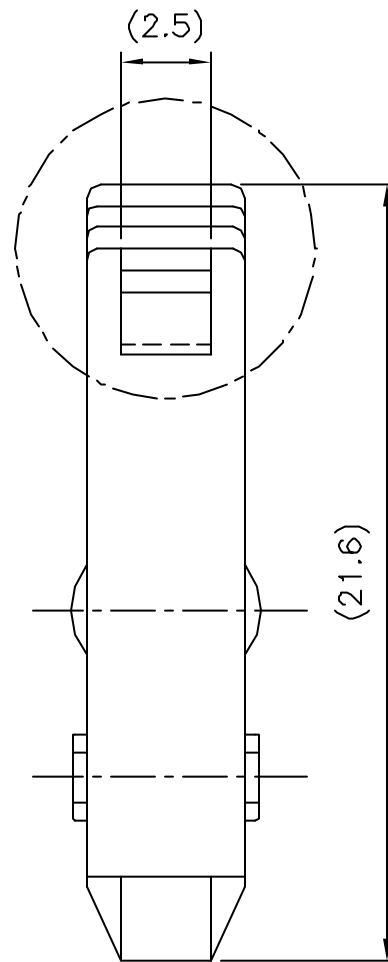
67018-X01LF

INDICATES THE PRODUCT IS RoHS COMPATIBLE, SEE NOTE 3

CODE	COLOUR
0	GREY
1	BLUE

NOTES:

1. MOLDING MATERIAL : 30% GLASSFIBER POLYESTER, FLAME RETARDANT PER UL-94-V0  
COLOR : GREY, OR BLUE (SEE TABLE)
2. 0.08 MAX. FLASH ALLOWED ON SPLIT LINE
3. RoHS COMPATIBLE PRODUCT
  - a - LABELLING:  
- MEETS PACKAGING SPECS AS PER GS-14-920
  - b - LEGAL STATEMENT : SEE GS-22-008
  - c - THE PRODUCT IS NOT INTENDED TO BE EXPOSED TO MANUFACTURING SOLDER PROCESS
  - d - PRODUCT MEETS WITH EU 2002/EG/95



mat'l. code SEE NOTE 1				tolerances unless otherwise specified		CUSTOMER COPY	<b>FCI</b> <b>ELECTRONICS</b> www.fciconnect.com	
Ltr	ecn no	dr	date	Linear	.x	±0.3	projection 	title EJECTOR LATCH STANDARD
B	F08395	VMO	08.07.273		.xx	±0.15		
C	F05-0257	LMU	05.10.11	angles	.xxx	±0.05	product family QKIE HDR	code 213
D	F06-0274	LMU	06.10.18		dr	LMULIN		
				engr	COMPAGNON	05.10.11	scale 5:1	size A3
				chr				
				app	JM.C	05.10.11		
sheet index	revision sheet							