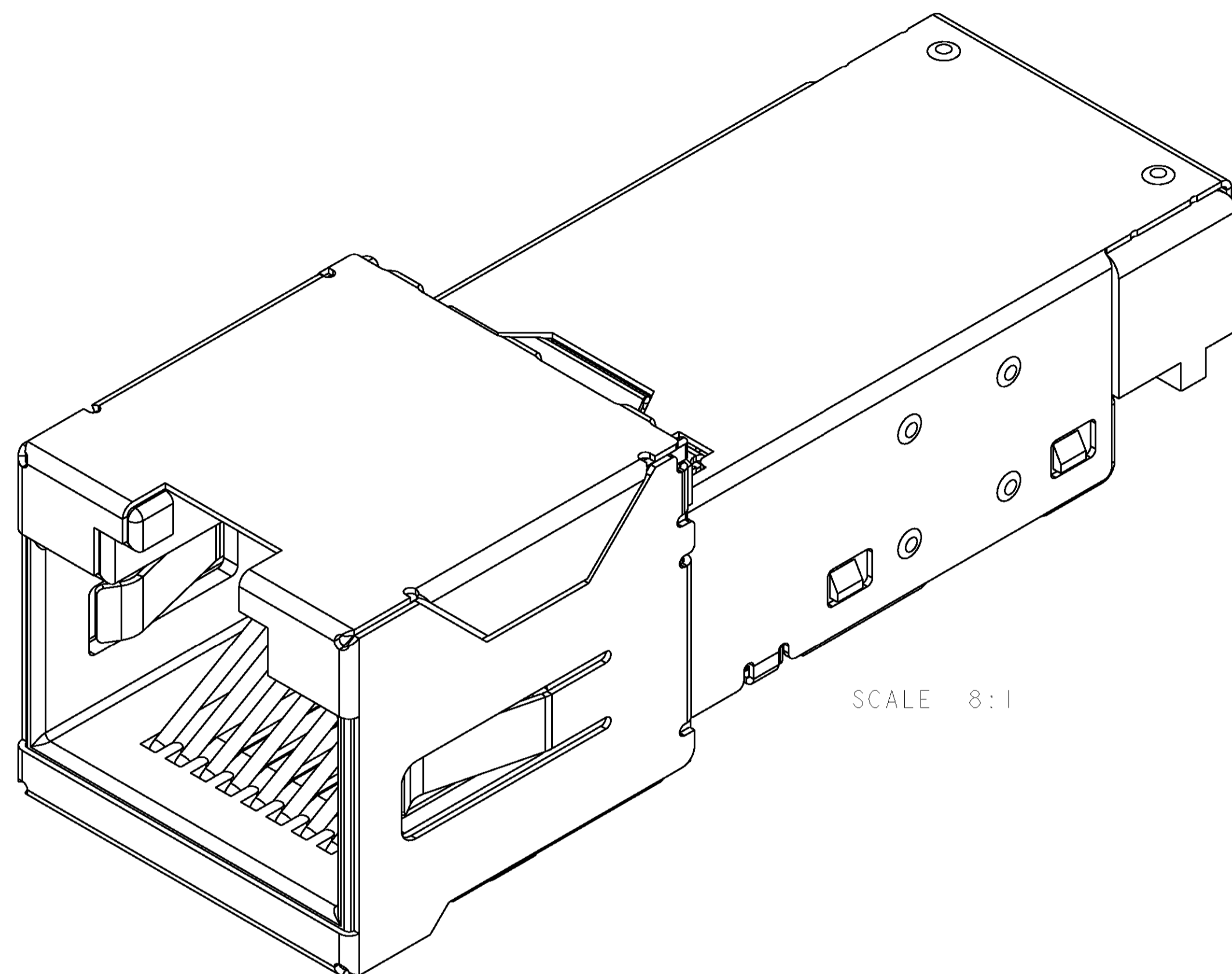


THIS DRAWING AND THE SUBJECT MATTER SHOWN THEREON ARE CONFIDENTIAL AND THE PROPERTY OF BEL/STEWART/TRP CONNECTOR AND SHALL NOT BE REPRODUCED, COPIED, OR USED IN ANY MANNER WITHOUT THE WRITTEN CONSENT OF TRP CONNECTOR.

PRODUCT MAY BE PROTECTED BY ONE OR MORE OF THE FOLLOWING US PATENTS:
5736910 5939955 6425781 6428361 6554638 6840817 7123117
7429195 7717749 7808761 8217391 8149050 7924130

REVISIONS

P	LTR	DESCRIPTION	DATE	DWN	APPD
C		EC-1411035 COMPANY LOGO CHANGE	20JAN2015	JC	TY



SCALE 8:1

1. MATERIAL:
 PLASTIC HOUSINGS: BLACK, PET THERMOPLASTIC, FLAMMABILITY RATING UL 94V-0
 SHIELDS: BRASS, PLATED WITH 1.27µm SEMI-BRIGHT NICKEL
 CONTACTS: PHOSPHOR BRONZE, ROUND Ø0.45, PLATED WITH 1.27µm MIN NICKEL OVERALL
 UNDERPLATE WITH SELECT 1.27µm MIN GOLD AT MATING INTERFACE
 SOLDER TAILS: COPPER PLATED STEEL, Ø0.45mm, PLATED WITH 2.03µm MIN TIN

2. RJ45 ELECTRICAL REQUIREMENTS @ 25° C:
 MAGNETICS:
 -- IMPEDANCE: 100 OHMS
 -- OPEN CIRCUIT INDUCTANCE (OCL): 350 µH (min), 0.1 VRMS, 100 KHZ, WITH 8 mA DC BIAS, T = 0° C TO +70° C
 -- TURNS RATIO (CHIP:CABLE): 1:1 ALL FOUR PAIRS
 -- ALL FOUR PAIRS ARE BIDIRECTIONAL

FREQUENCY MHz	INSERTION LOSS dB (MAX)	RETURN LOSS dB (MIN)
0.5-40.0	1.1	18
40.1-100.0	1.1	12-20 log (f/80)

FREQUENCY	CROSSTALK ATTENUATIONS dB (min)	COMMON MODE REJECTION RATIO dB (min)
0.5 - 40.0 MHz	35	30
40.1 - 100.0 MHz	33-20 log (f/50)	30

-- ISOLATION VOLTAGE: COMPLIES WITH IEEE802.3 2002, PARA 40.6.1.1, ITEM a or b

3. PART NUMBER, DATE CODE AND COUNTRY OF ORIGIN TO BE MARKED IN APPROXIMATE LOCATION.

4. RECOMMENDED PCB THICKNESS 1.0mm THK

5. OPERATING TEMPERATURE: 0° C TO + 70° C

6. RJ45 PORT CONFORMS TO FCC RULES AND REGULATION PART 68 SUBPART F.

7. R1 - R4 = 75 Ohms, 1/16W, 5% RESISTORS.



8. C1 = 1000pF, 3kV DECOUPLING CAPACITOR.

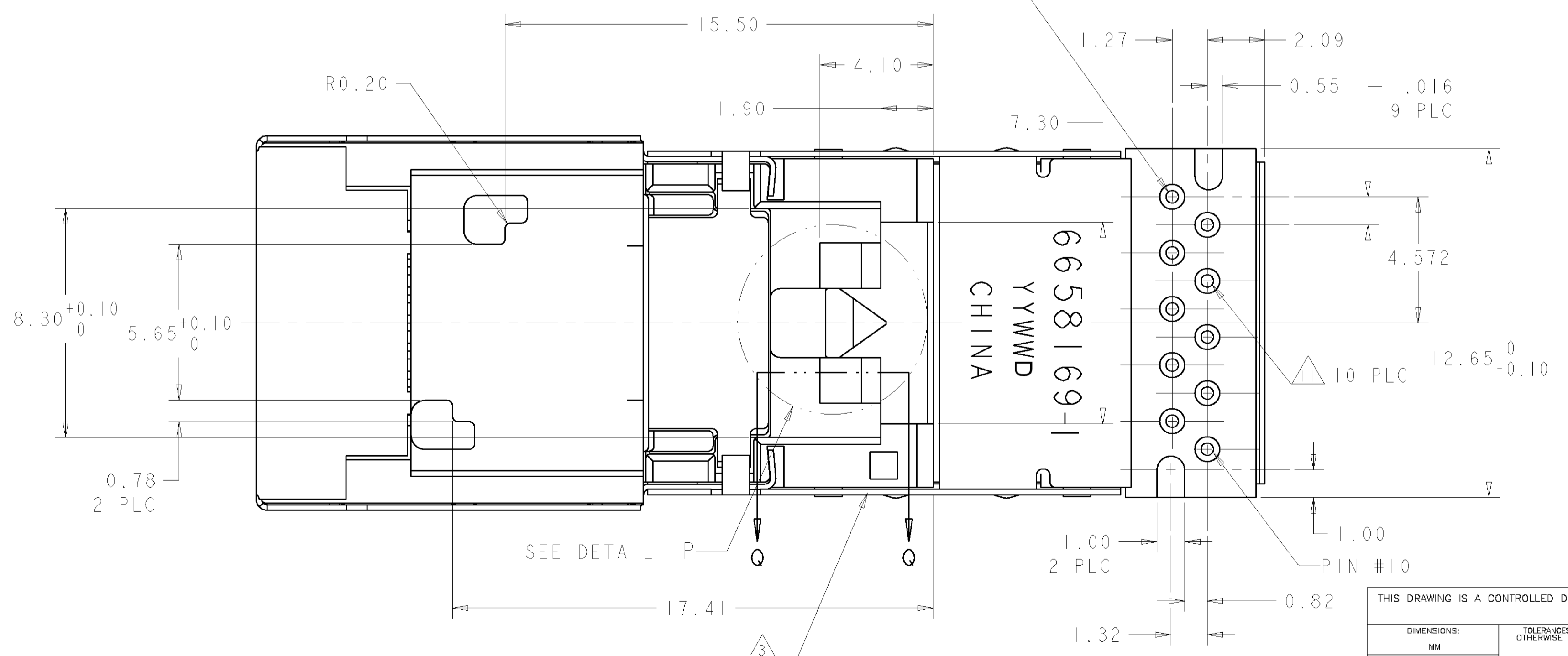
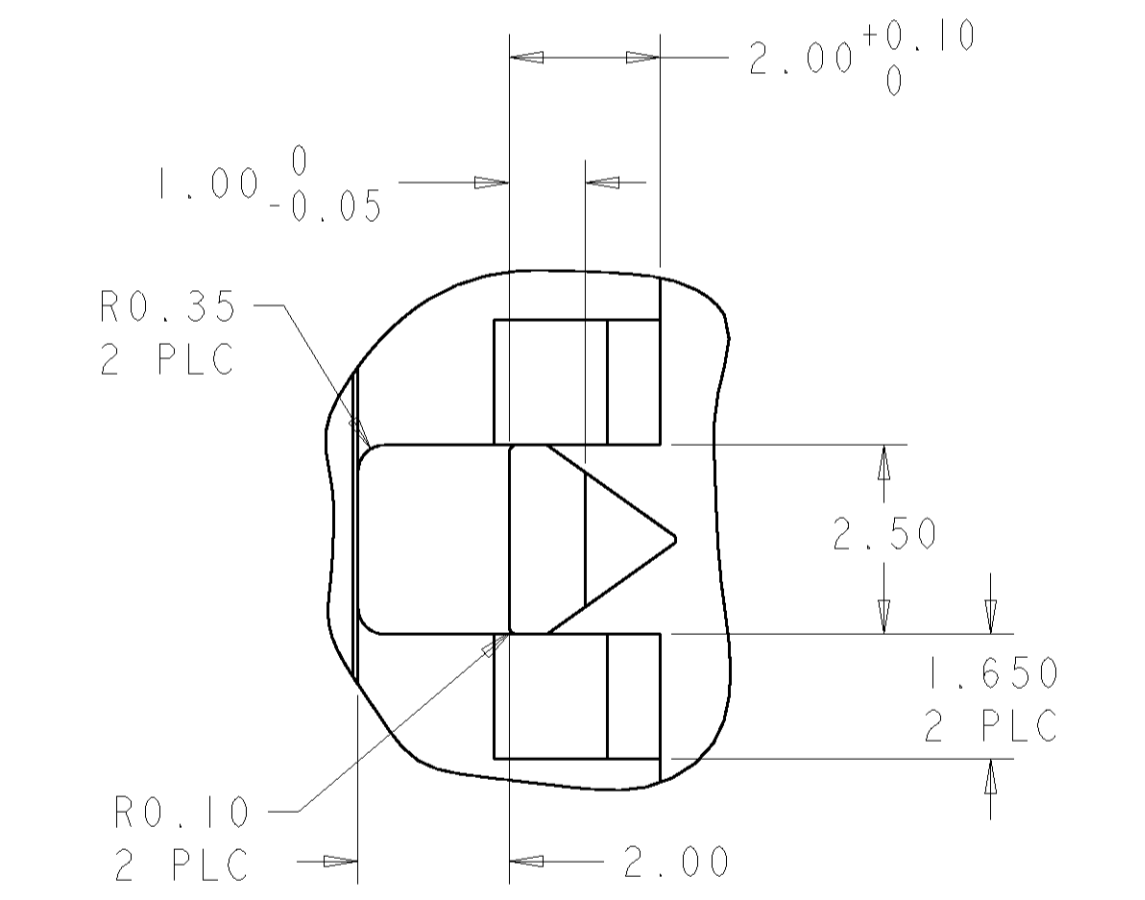
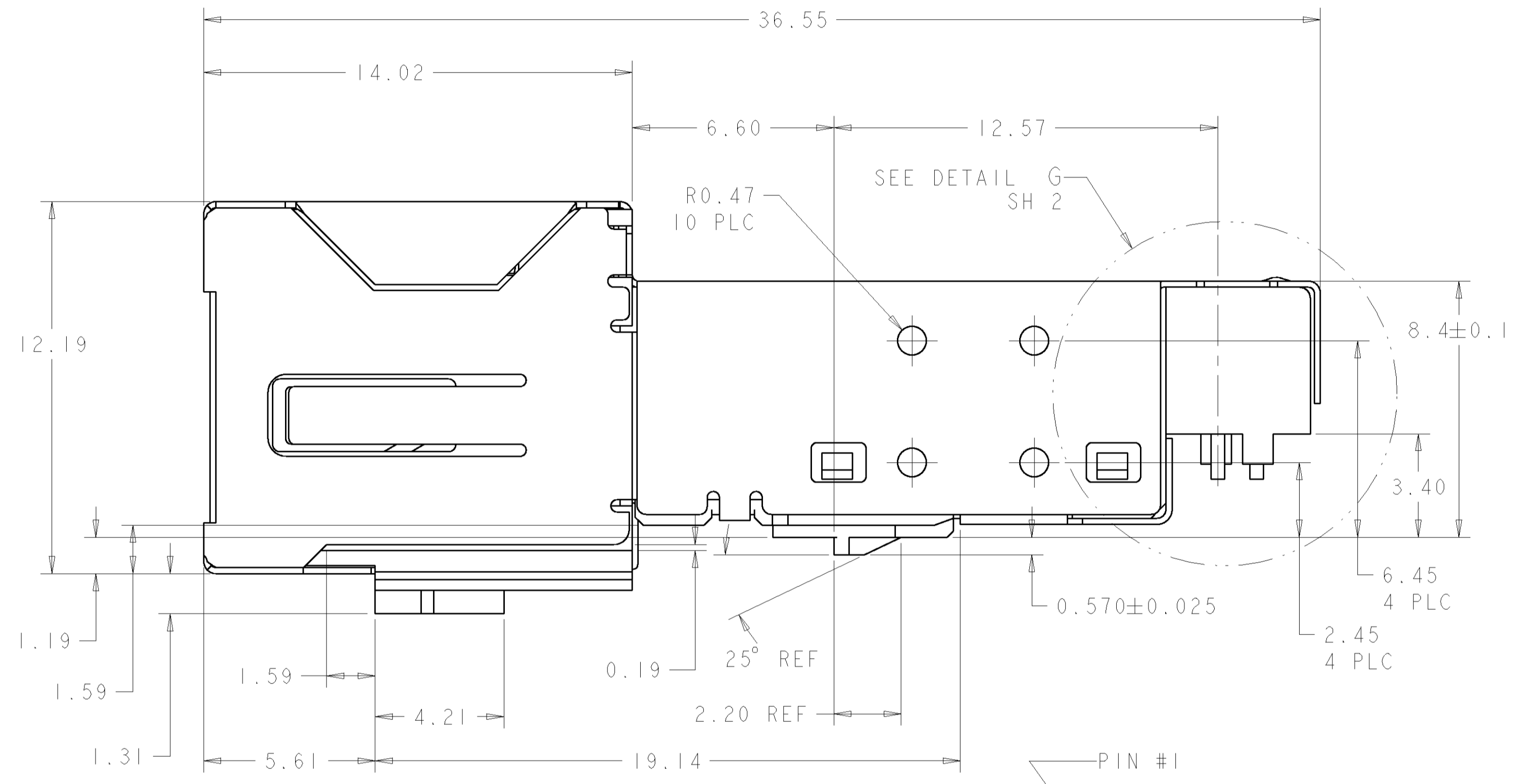
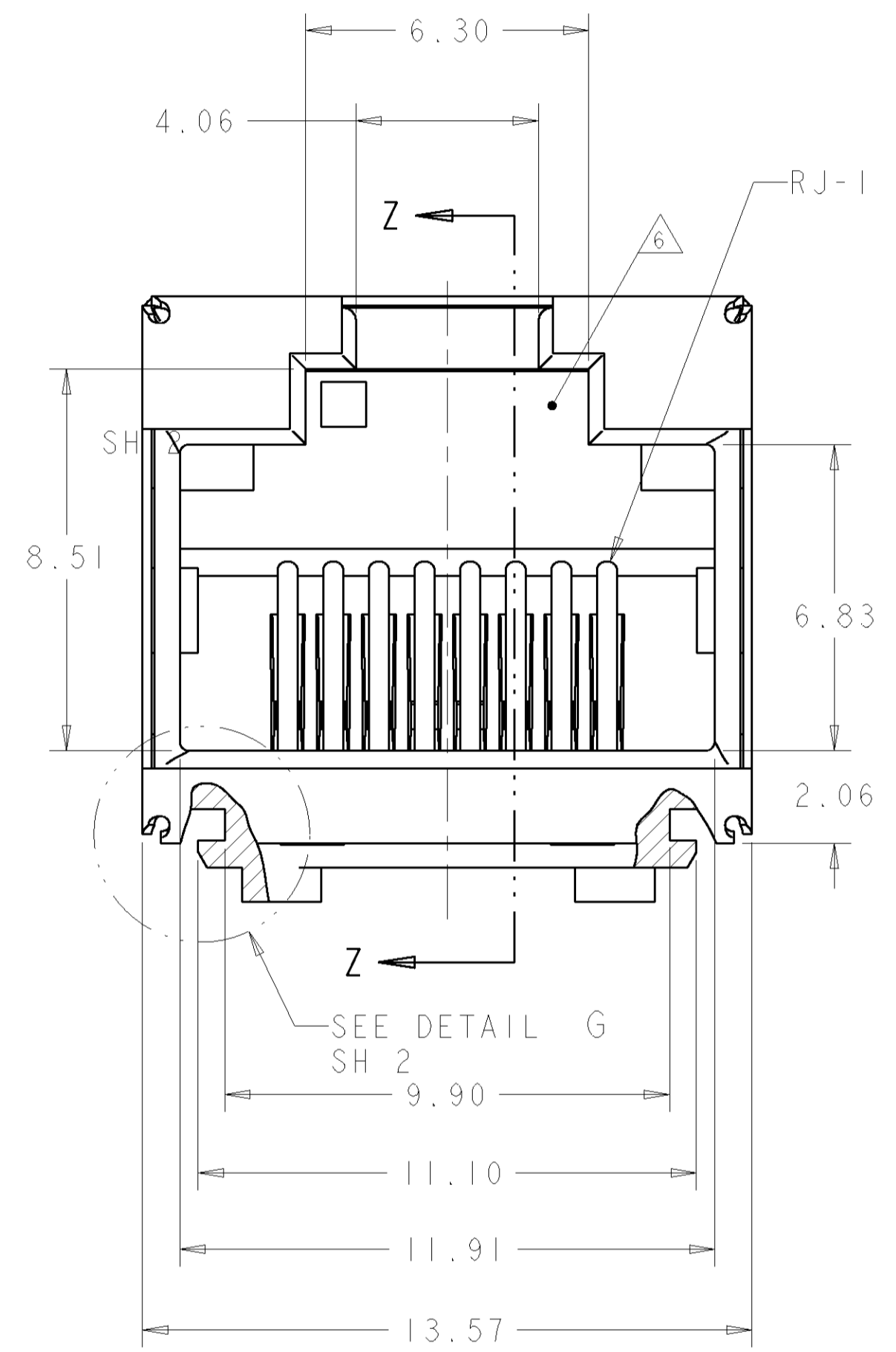
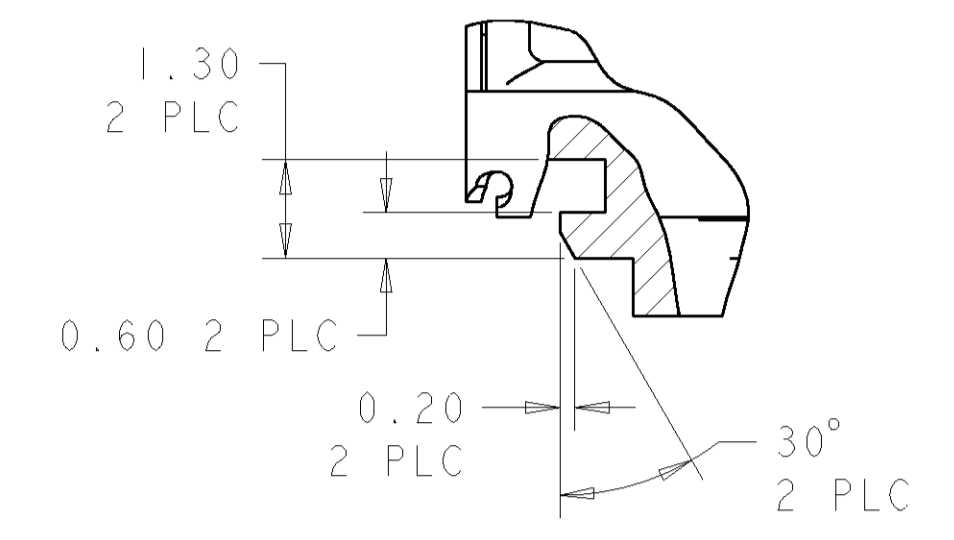
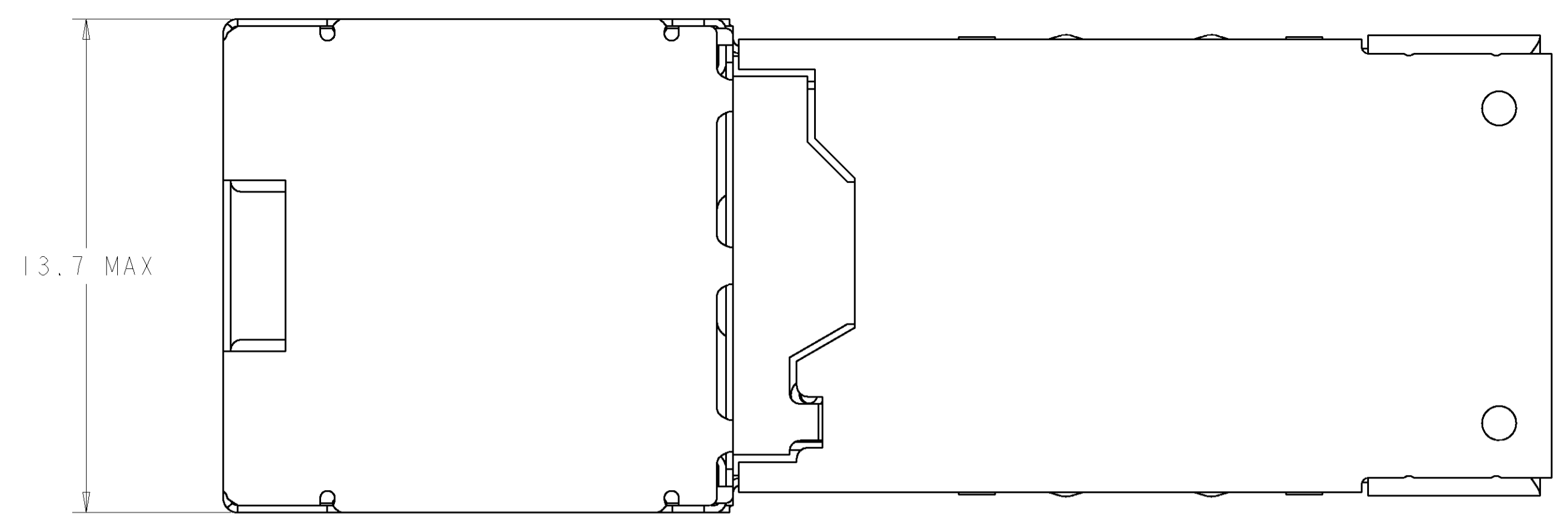
9. C2 - C5 = 0.1µF, 10%, 50V, X7R CAPACITORS.

10. THIS DRAWING IS RESTRICTED TO AGILENT TECHNOLOGIES SANTA CLARA, CA. & SINGAPORE.

11. PRODUCT NOT DESIGNED FOR REFLOW OR WAVE SOLDERING APPLICATIONS, APPLY VIA HAND SOLDER ONLY.

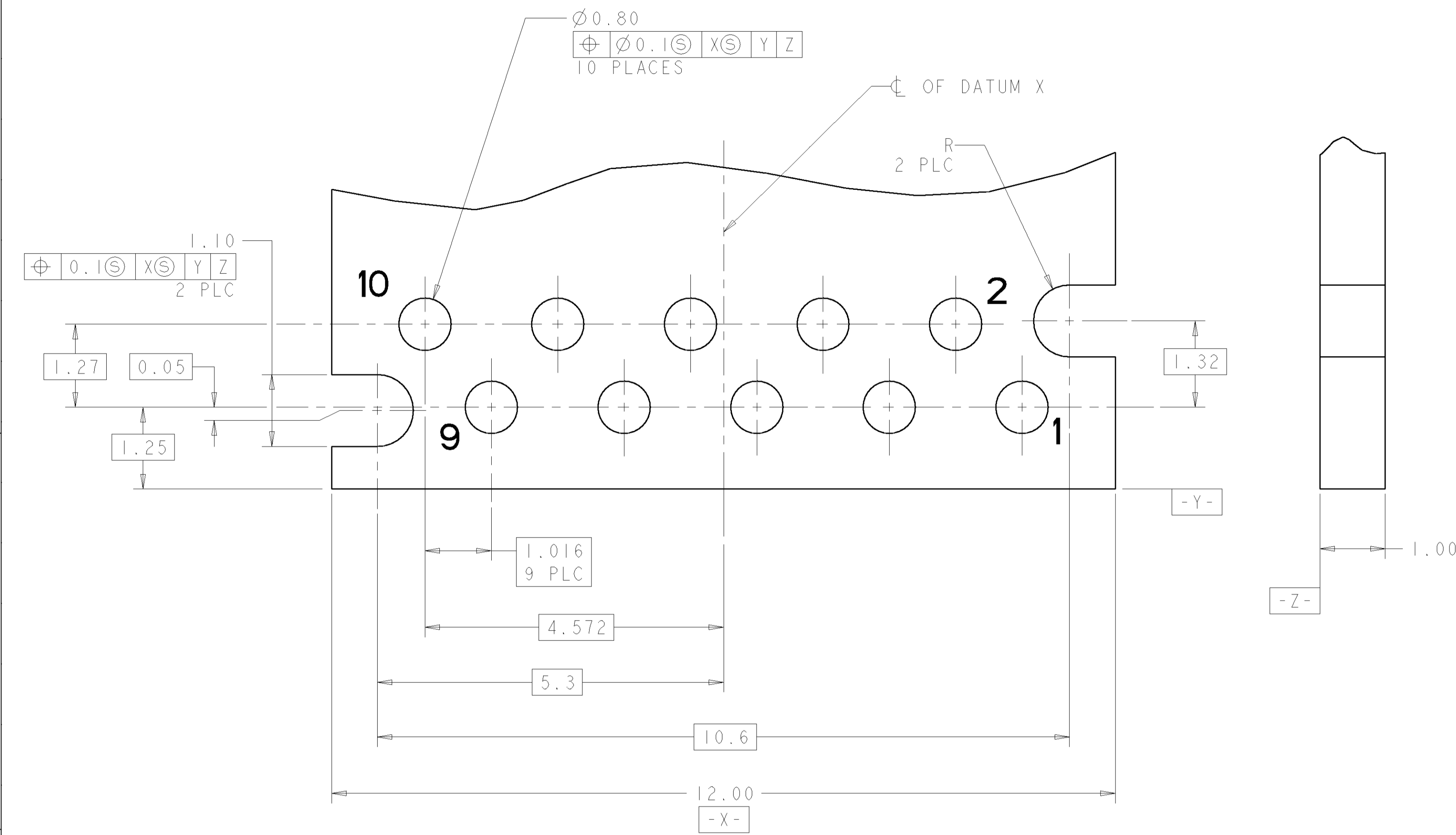
6658169-1
PART NUMBER

THIS DRAWING IS A CONTROLLED DOCUMENT.		DWN M.M. SHIRK/LA.MAYER 13SEP2005	 trp CONNECTOR DONGGUAN CHINA	
DIMENSIONS: MM		CHK E.D. AMATO 13SEP2003	DESC 1X1 MAGJACK	
		APPD S.FLICKINGER 13SEP2003	GIGABIT CIRCUIT, INVERTED LATCH, W/O LEDS	
0 PL ± - 1 PL ± 0.1 2 PL ± 0.13 3 PL ± 0.125 4 PL ± - ANGLES ± 2 APPLICATION SPEC -		MODEL NAME MAGJACK	SIZE A1	RESTRICTED TO ACT
PRODUCT SPEC -		SINGLE NON-PoE		SCALE B:1
		CUSTOMER DRAWING		SHEET 1 OF 3 REV C

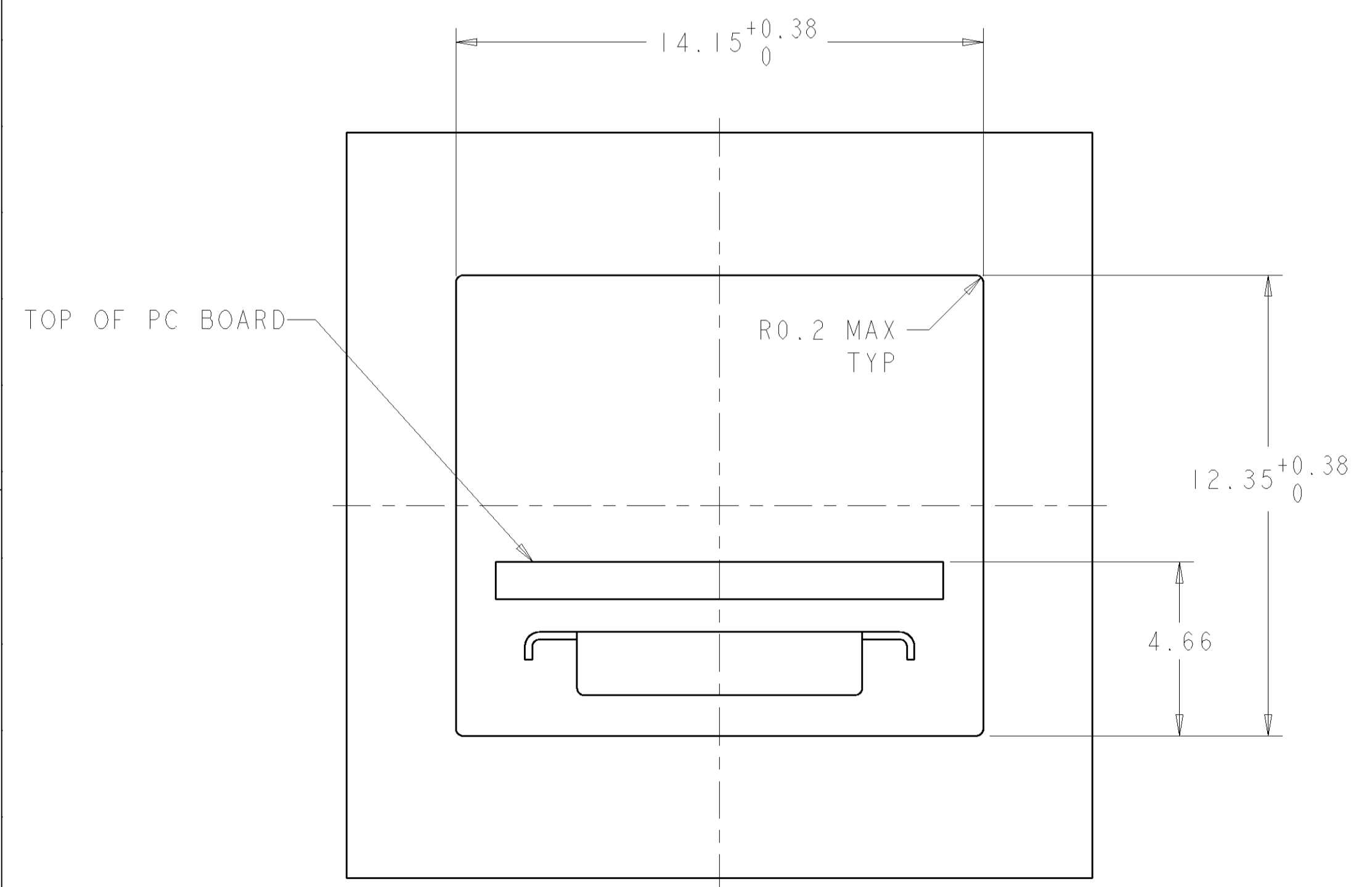


6658169-1
YYWWD
CHINA

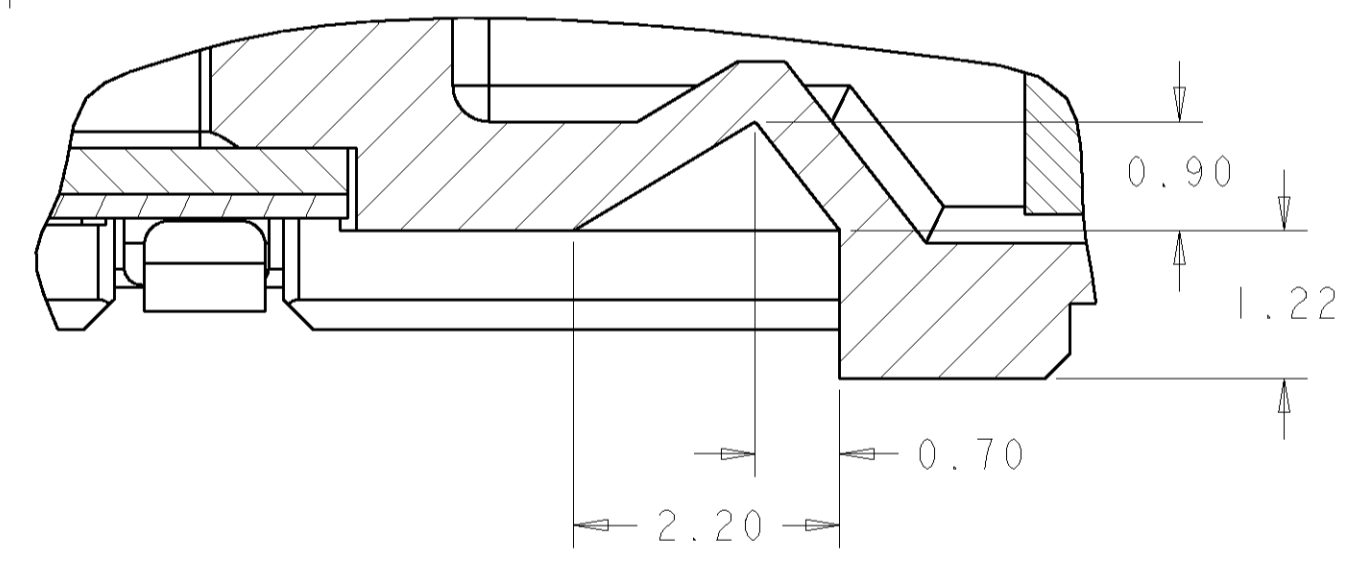
THIS DRAWING IS A CONTROLLED DOCUMENT.		DWG: M.M. SHIRK/L.A.MAYER 13SEP2005		trp CONNECTOR		DONGGUAN CHINA	
DIMENSIONS: MM		CHK: P.D. AMATO 13SEP2005		APVD: S. FLICKINGER 13SEP2005		DESC: 1X1 MAGJACK	
TOLERANCES UNLESS OTHERWISE SPECIFIED:		MODEL NAME: MAGJACK		DESC: GIGABIT CIRCUIT, INVERTED LATCH, W/O LEADS		RESTRICTED TO	
0 PLC ± 0.1		SIZE: A1		CAGE CODE: 6658169		AGT	
1 PLC ± 0.13		PRODUCT SPEC: -		SCALE: 8:1		SHEET 2 OF 3	
2 PLC ± 0.125		APPLICATION SPEC: -		REV: C			
3 PLC ± 0.125							
4 PLC ± 0.125							
ANGLES: ± 0.5							



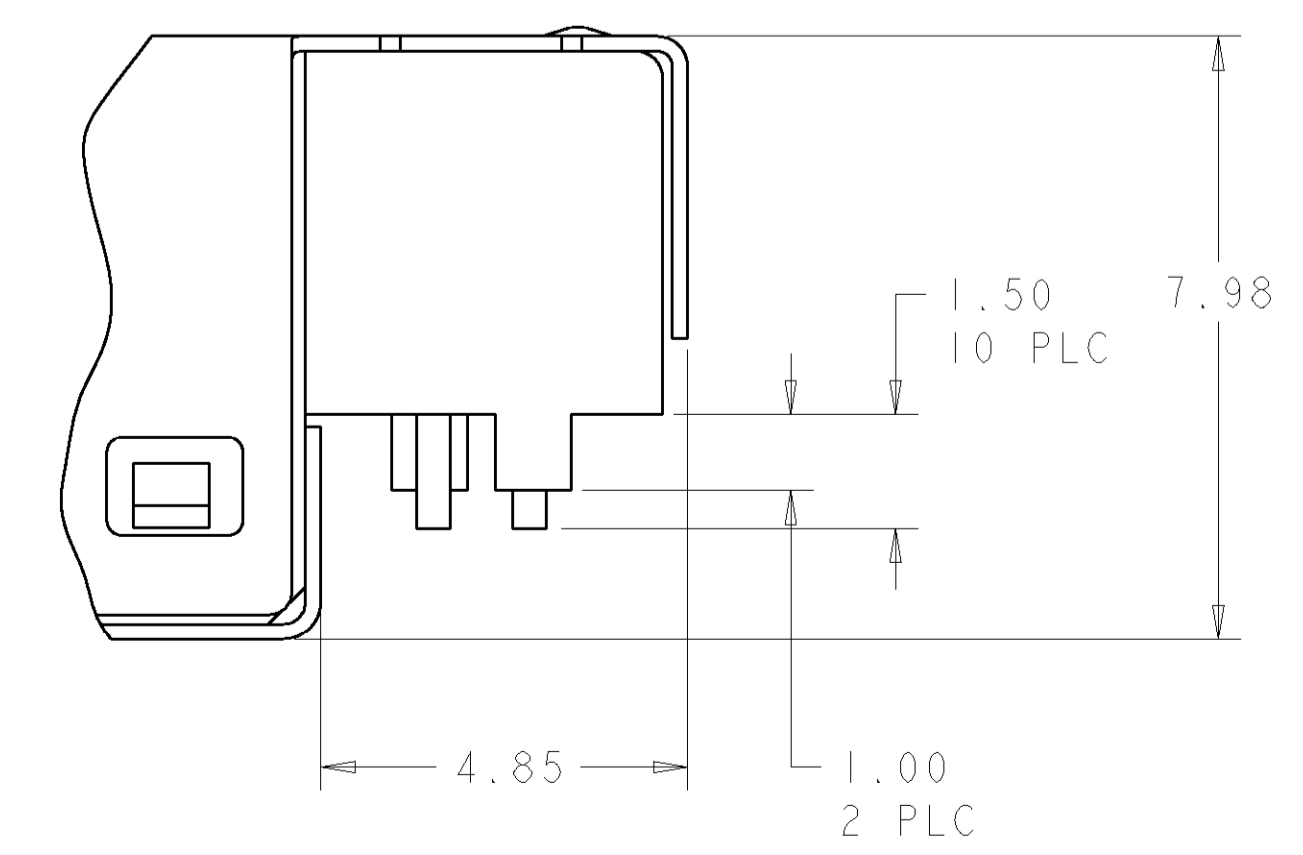
RECOMMENDED PC BOARD FOOTPRINT
COMPONENT SIDE
SCALE 20:1



SUGGESTED PANEL CUTOUT DIMENSIONS

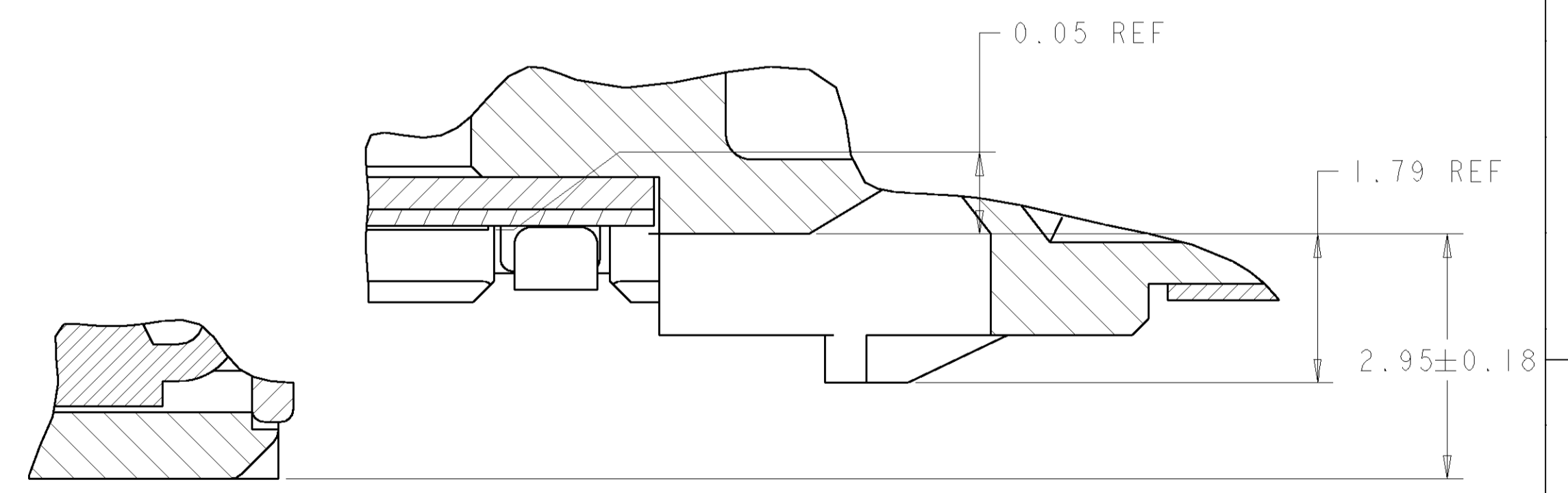
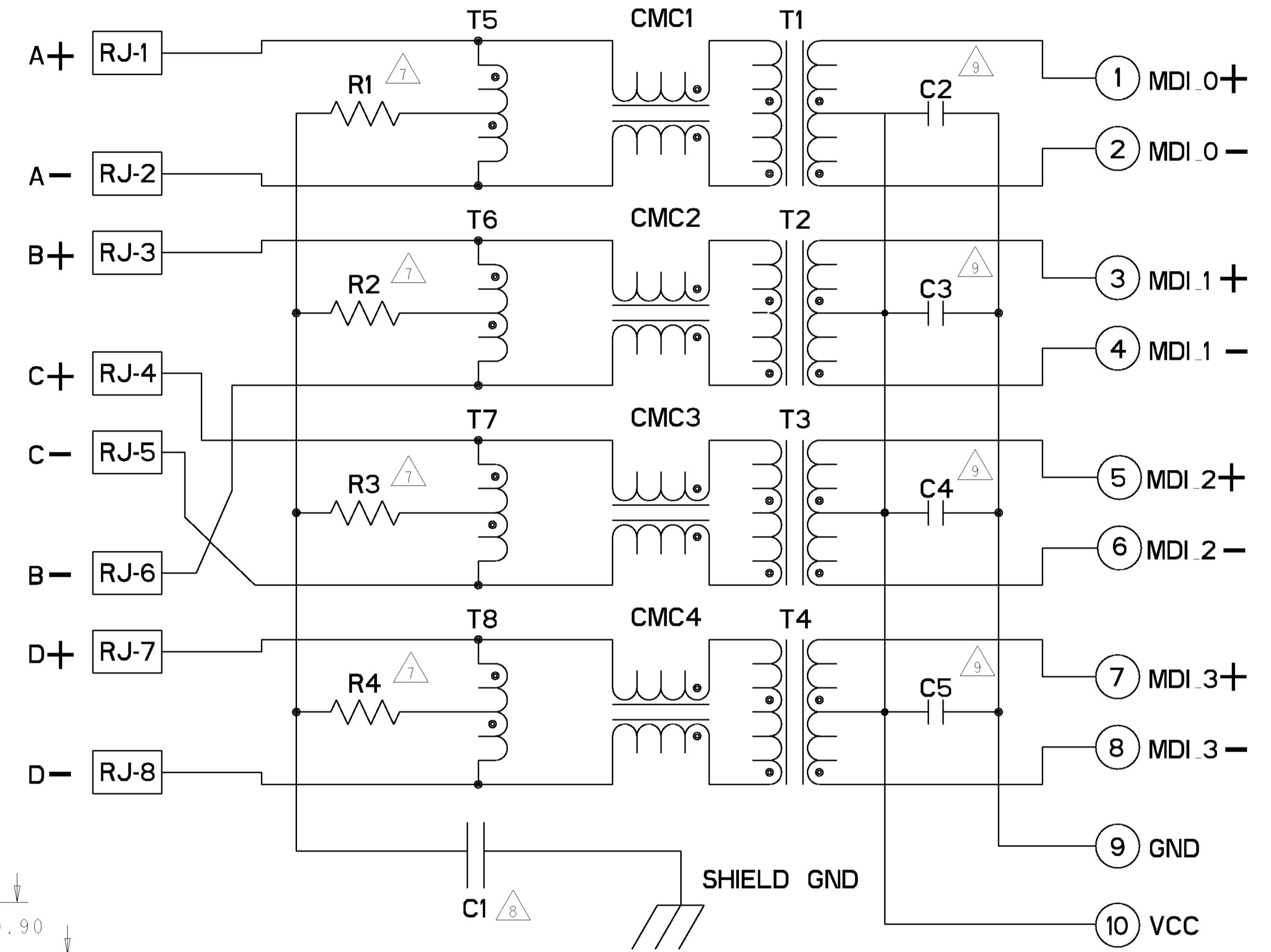


SECTION Q-Q
SCALE 16:1



DETAIL G
SCALE 10:1

RJ45 MAGNETIC SCHEMATIC



SECTION Z-Z
SCALE 16:1

THIS DRAWING IS A CONTROLLED DOCUMENT.		DWG: M.M. SHIRK/L.A. MAYER CHK: P.D. AMATO APD: S. FLICKINGER MODEL NAME: MAGJACK SINGLE NON-POE CUSTOMER DRAWING	13SEP2005 13SEP2005 13SEP2005 13SEP2005	DONGGUAN CHINA
DIMENSIONS: MM	TOLERANCES UNLESS OTHERWISE SPECIFIED: 0 PLC ± - 1 PLC ± 0.1 2 PLC ± 0.13 3 PLC ± 0.125 4 PLC ± ± 2 ANGLES: ± ± 2 APPLICATION SPEC: -	DESC: 1X1 MAGJACK GIGABIT CIRCUIT, INVERTED LATCH, W/O LEDS SIZE: A1 SCALE: 8:1	DRAWING NO: C-6658169 SHEET 3 OF 3 REV C	RESTRICTED TO: AGT