

6643740-1 ✓ ACTIVE

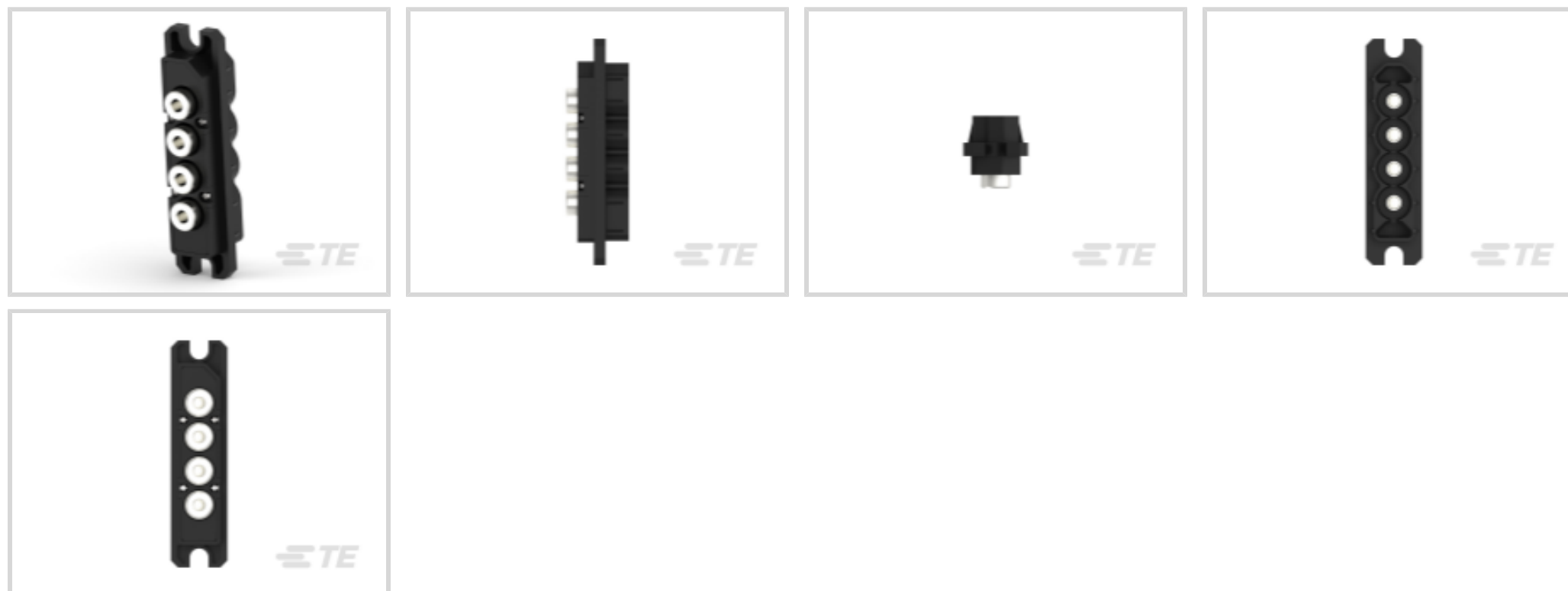
TE Internal #: 6643740-1

Rectangular Power Connectors, Connector Assembly, Plug, Wire-to-Wire, 4 Position, 18.42 mm [.725 in] Centerline, Printed Circuit Board, UL 94V-0

[View on TE.com >](#)



Connectors > Power Connectors > Rectangular Power > Rectangular Power Connectors



Rectangular Power Connector Type: **Connector Assembly**

Connector & Housing Type: **Plug**

Connector System: **Wire-to-Wire**

Number of Positions: **4**

Centerline (Pitch): **18.42 mm [.725 in]**

Features

Product Type Features

Rectangular Power Connector Type	Connector Assembly
Connector & Housing Type	Plug
Connector System	Wire-to-Wire
Sealable	No
Connector & Contact Terminates To	Printed Circuit Board

Configuration Features

Number of Positions	4
PCB Mount Orientation	Vertical
Number of Power Positions	4

Electrical Characteristics

Operating Voltage	250 VDC
-------------------	---------

Contact Features

Contact Mating Area Plating Material	Silver
Contact Current Rating (Max)	200 A



Contact Retention Within Housing	With
Contact Type	Pin
PCB Contact Termination Area Plating Material	Silver

Termination Features

Termination Method to Printed Circuit Board	Through Hole - Solder
---	-----------------------

Mechanical Attachment

Connector Mounting Type	Board Mount
-------------------------	-------------

Housing Features

Centerline (Pitch)	18.42 mm [.725 in]
Housing Color	Black
Housing Material	Valox 420 SEO

Usage Conditions

Operating Temperature Range	-40 – 105 °C [-40 – 221 °F]
-----------------------------	-----------------------------

Operation/Application

Circuit Application	Power
---------------------	-------

Industry Standards

UL Flammability Rating	UL 94V-0
Glow Wire Rating	Standard Part - Not Glow Wire

Packaging Features

Packaging Method	Bulk
------------------	------

Product Compliance

[For compliance documentation, visit the product page on TE.com>](#)

EU RoHS Directive 2011/65/EU	Compliant
EU ELV Directive 2000/53/EC	Compliant
China RoHS 2 Directive MIIT Order No 32, 2016	No Restricted Materials Above Threshold
EU REACH Regulation (EC) No. 1907/2006	Current ECHA Candidate List: JUNE 2024 (241) Candidate List Declared Against: JUNE 2024 (241) Does not contain REACH SVHC
Halogen Content	Not Low Halogen - contains Br or Cl > 900 ppm.
Solder Process Capability	Not applicable for solder process capability



Product Compliance Disclaimer

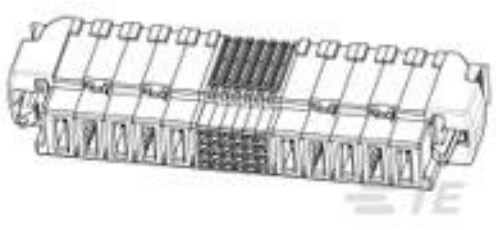
This information is provided based on reasonable inquiry of our suppliers and represents our current actual knowledge based on the information they provided. This information is subject to change. The part numbers that TE has identified as EU RoHS compliant have a maximum concentration of 0.1% by weight in homogenous materials for lead, hexavalent chromium, mercury, PBB, PBDE, DBP, BBP, DEHP, DIBP, and 0.01% for cadmium, or qualify for an exemption to these limits as defined in the Annexes of Directive 2011/65/EU (RoHS2). Finished electrical and electronic equipment products will be CE marked as required by Directive 2011/65/EU. Components may not be CE marked. Additionally, the part numbers that TE has identified as EU ELV compliant have a maximum concentration of 0.1% by weight in homogenous materials for lead, hexavalent chromium, and mercury, and 0.01% for cadmium, or qualify for an exemption to these limits as defined in the Annexes of Directive 2000/53/EC (ELV). Regarding the REACH Regulation, the information TE provides on SVHC in articles for this part number is based on the latest European Chemicals Agency (ECHA) 'Guidance on requirements for substances in articles' posted at this URL: <https://echa.europa.eu/guidance-documents/guidance-on-reach>

Compatible Parts



TE Part # 6651494-1
CONN,SKT HOUSING


Customers Also Bought



TE Part #1600788-4
MBXL RCPT HSG ASSY, SQUEEZE TO RELEASE,



TE Part #160173-7
FF 110 REC 22-20AWG TPPB



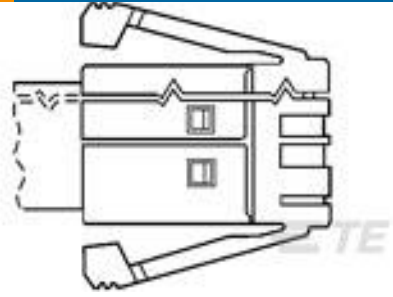
CRIMPER REPRESENTATION ONLY
TE Part #1633988-6
CRIMPER, INSUL BOX PREMIUM



TE Part #1888631-4
CAGE ASSEMBLY, THRU BEZEL, QSFP, CUST HS



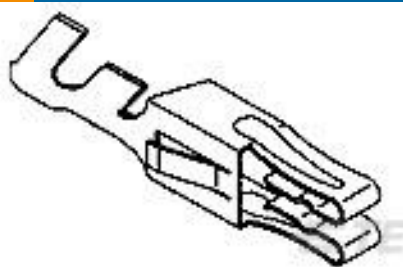
TE Part #3-644760-3
03P MTA156 HDR ASSY FL ST LF



TE Part #5-1761187-3
8 SDL FLAT PLUG ASSY



ANVIL REPRESENTATION ONLY
TE Part #7-1333202-8
ANVIL, COMBINATION .062



TE Part #530519-3
HIGH CURRENT CONT STRIP



Documents

Product Drawings

[CONN,PIN,CUSTOM CONN](#)

English

CAD Files

Customer View Model

[ENG_CVM_CVM_6643740-1_A.2d_dxf.zip](#)

English

[3D PDF](#)

3D

Customer View Model

[ENG_CVM_CVM_6643740-1_A.3d_igs.zip](#)

English

Customer View Model

[ENG_CVM_CVM_6643740-1_A.3d_stp.zip](#)

English

By downloading the CAD file I accept and agree to the [Terms and Conditions](#) of use.

Product Specifications

[Application Specification](#)

English