

66332-6 ✓ ACTIVE

AMP | AMP Type III+

TE Internal #: 66332-6

AMP Type III+, Power Contacts, Contact, Precious Metal, 24 – 20AWG Wire Size, .2 – .6mm² Wire Size, Wire & Cable, Crimp

[View on TE.com >](#)



Connectors > Power Connectors > Power Contacts



Power Contact Type: **Contact**

Contact Mating Area Plating Material: **Precious Metal**

Wire Size: **.2 – .6 mm²**

Connector & Contact Terminates To: **Wire & Cable**

Features

Product Type Features

Power Contact Type	Contact
Connector & Contact Terminates To	Wire & Cable

Electrical Characteristics

Test Current	13 A
--------------	------

Contact Features

Contact Mating Area Plating Material	Precious Metal
Contact Current Rating (Max)	13 A
Contact Type	Pin
Contact Retention Within Housing	With
Mating Pin Diameter	1.57 mm[.062 in]
Contact Base Material	Brass
Contact Mating Area Plating Material Thickness	.76 µm[30 µin]
Wire Contact Termination Area Plating Material Thickness	.25 µm[10 µin]
Wire Contact Termination Area Plating Material	Gold
Wire Contact Termination Area Plating Material Finish	Bright
Contact Orientation	Straight
Contact Underplating Material	Nickel
Contact Underplating Material Thickness	1.27 µm[50 µin]
Contact Size	16

Termination Features



Termination Method to Wire & Cable

Crimp

Mechanical Attachment

Wire Insulation Support

With

Dimensions

Wire Size

.2 – .6 mm²

Accepts Wire Insulation Diameter Range

2.03 – 2.54 mm [.08 – .1 in]

Usage Conditions

Operating Temperature Range

-55 – 150 °C [-67 – 302 °F]

Operation/Application

Circuit Application

Power & Signal

Packaging Features

Packaging Method

Reel

Packaging Quantity

4000

Other

Wire/Cable Type

Discrete Wire

For Use With

CPC Connectors

Comment

Overall insulation crimp diameter, including crimp barrel, must not exceed 3.18 [.125].

Product Compliance

For compliance documentation, visit the product page on [TE.com](https://www.te.com)>

EU RoHS Directive 2011/65/EU

Compliant

EU ELV Directive 2000/53/EC

Compliant

China RoHS 2 Directive MIIT Order No 32, 2016

No Restricted Materials Above Threshold

EU REACH Regulation (EC) No. 1907/2006

Current ECHA Candidate List: JUN 2020 (209)
 Candidate List Declared Against: JAN 2020 (205)
 Does not contain REACH SVHC

Halogen Content

Low Halogen - Br, Cl, F, I < 900 ppm per homogenous material. Also BFR/CFR/PVC Free

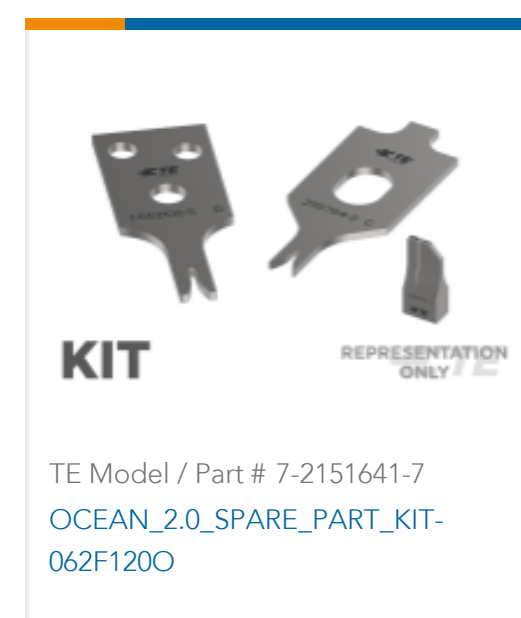
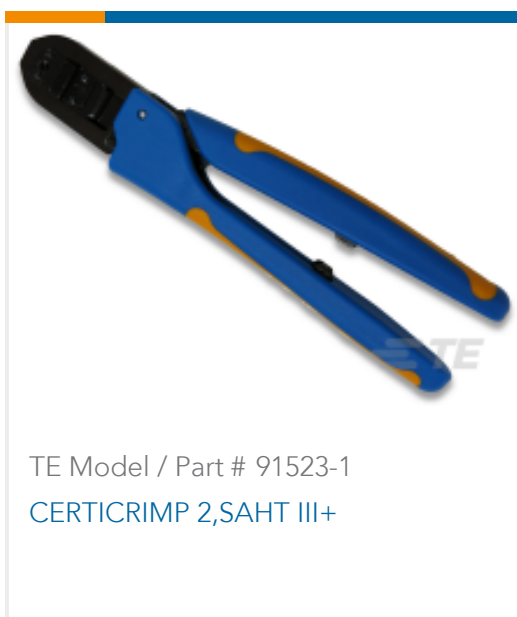
Solder Process Capability

Not applicable for solder process capability

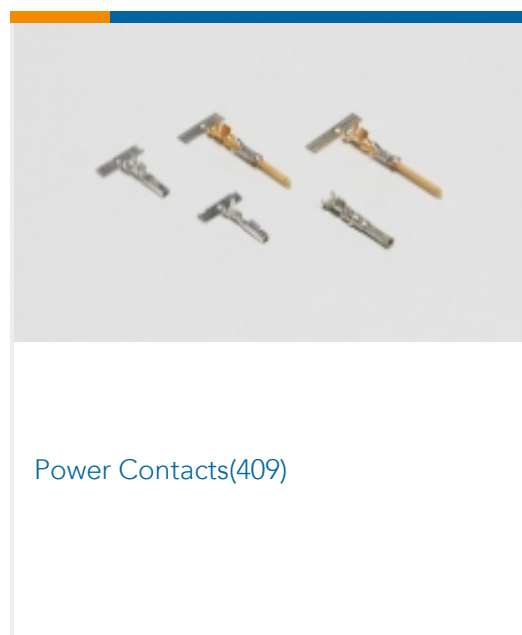
Product Compliance Disclaimer

This information is provided based on reasonable inquiry of our suppliers and represents our current actual knowledge based on the information they provided. This information is subject to change. The part numbers that TE has identified as EU RoHS compliant have a maximum concentration of 0.1% by weight in homogenous materials for lead, hexavalent chromium, mercury, PBB, PBDE, DBP, BBP, DEHP, DIBP, and 0.01% for cadmium, or qualify for an exemption to these limits as defined in the Annexes of Directive 2011/65/EU (RoHS2). Finished electrical and electronic equipment products will be CE marked as required by Directive 2011/65/EU. Components may not be CE marked. Additionally, the part numbers that TE has identified as EU ELV compliant have a maximum concentration of 0.1% by weight in homogenous materials for lead, hexavalent chromium, and mercury, and 0.01% for cadmium, or qualify for an exemption to these limits as defined in the Annexes of Directive 2000/53/EC (ELV). Regarding the REACH Regulation, the information TE provides on SVHC in articles for this part number is based on the latest European Chemicals Agency (ECHA) 'Guidance on requirements for substances in articles' posted at this URL: <https://echa.europa.eu/guidance-documents/guidance-on-reach>

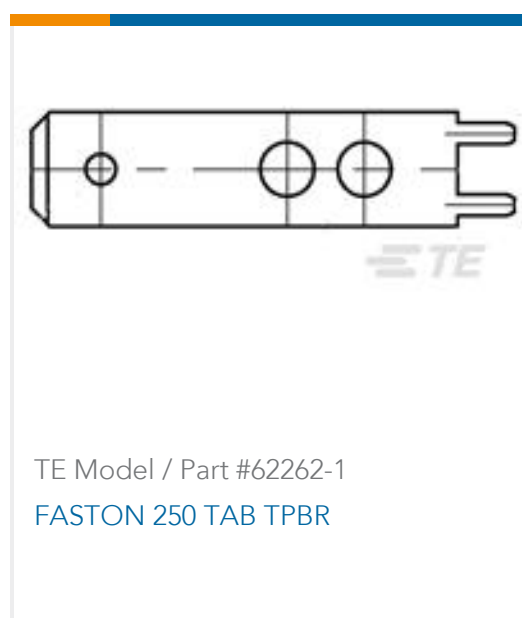
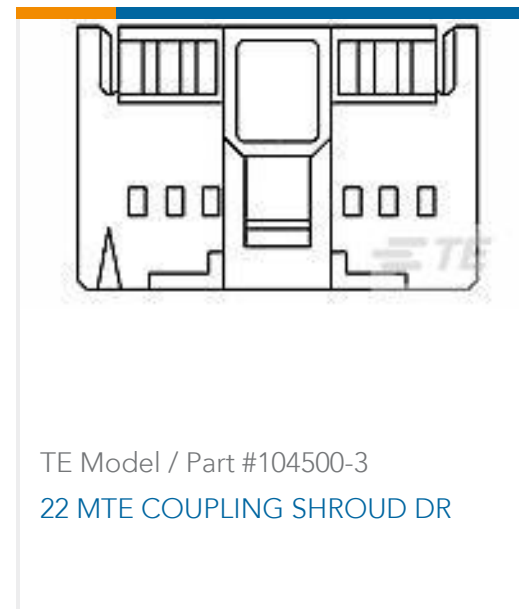
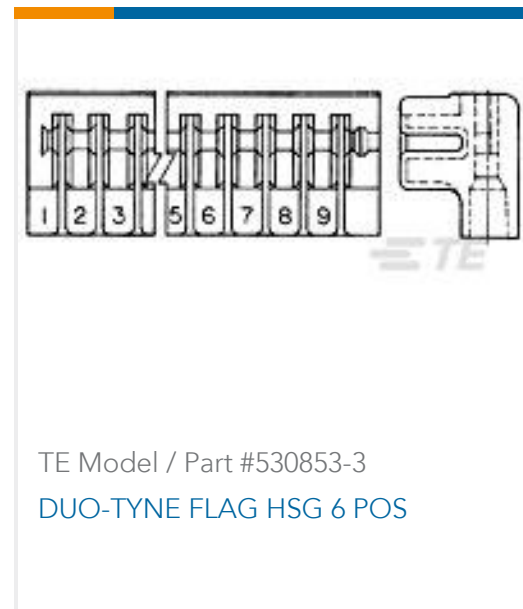
Compatible Parts



Also in the Series | **AMP Type III+**



Customers Also Bought



Documents

Product Drawings

III+ PIN,24-20,30AU>10,STRIP

English

CAD Files

3D PDF

3D

Customer View Model

[ENG_CVM_CVM_66332-6_AG.2d_dxf.zip](#)

English

Customer View Model

[ENG_CVM_CVM_66332-6_AG.3d_igs.zip](#)

English

Customer View Model

[ENG_CVM_CVM_66332-6_AG.3d_stp.zip](#)

English

By downloading the CAD file I accept and agree to the [Terms and Conditions](#) of use.



Product Specifications

Application Specification

English

Product Environmental Compliance

MD_66332-6_030120182317_dmtec

English

MD_66332-6_030120182317_dmtec

English