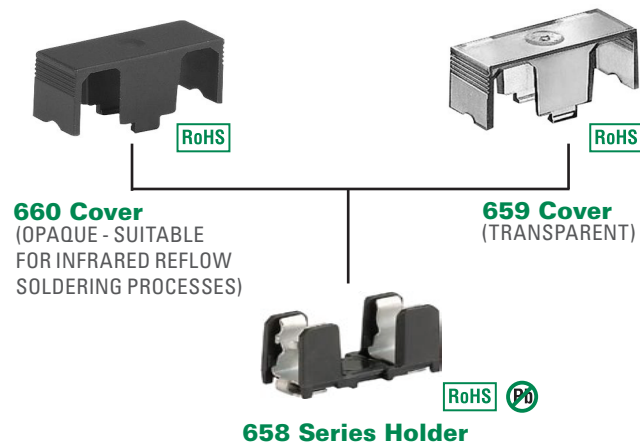
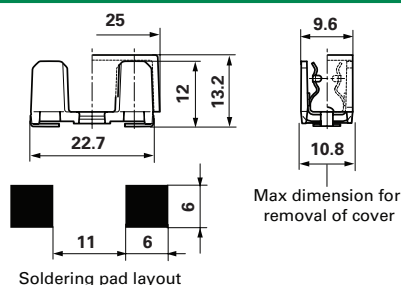


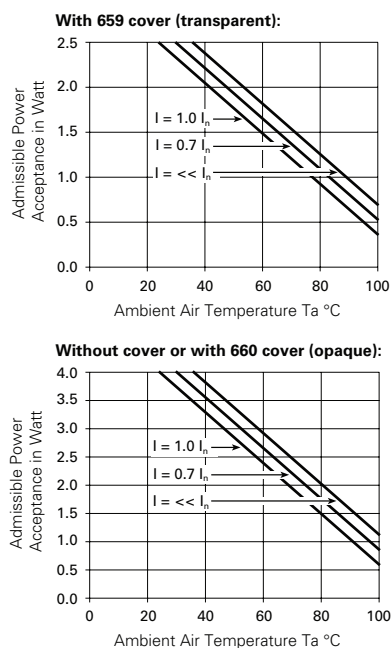
658 Series Molded Base Surface Mount Fuse Block For 5x20mm Fuses



Product Dimensions (millimeter)



Derating Curves





Product Characteristics

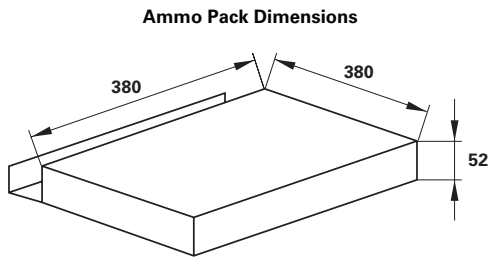
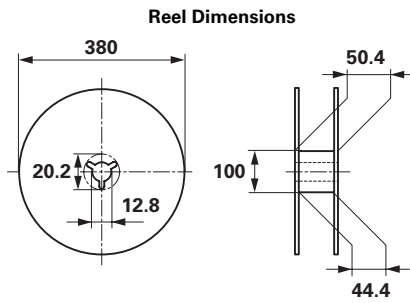
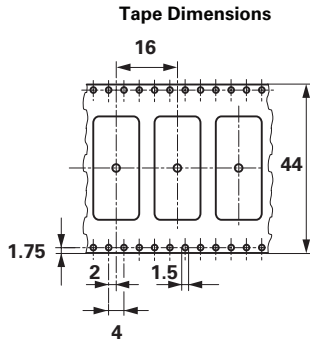
Compatible Fuse	5x20 mm
Materials	Clip Frame: 65800001xxx: UL94 V-0 Black Thermoplastic 65800003xxx: UL94 V-0 Black LCP 65800004xxx: UL94 V-0 Black LCP
	Clip Terminals: 65800001xxx: Tin (Sn) plated copper alloy 65800003xxx: Tin (Sn) plated copper alloy 65800004xxx: Gold (Au) plated copper alloy
	Rated Voltage: 250 VAC (VDE), 500 VAC/DC (UL/CSA)
Electrical Data	Rated Current: 10A
	Rated Power Acceptance (at ambient air temp 23°C): - 4W without cover - 4W with 660 cover - 2.5W with 659 cover
	Mounting SMT. Reflow soldering
Operating Temperature	-40°C to +85°C (consider de-rating)
Stock Conditions	0°C to +60°C relative humidity ≤ 70% yearly average.
Vibration Resistance	acc. to IEC 60068-2-6, test Fc
Contact Resistance	< 5 mΩ at 20 mV
Dielectric Strength	> 3kV, 50 Hz, 1 min.
Impulse withstand Voltage	> 4 kV between L-N
Insulation Resistance	(500 V DC/1 min): >10 MΩ
Solderability	245 °C / 3 sec acc. to IEC 60068-2-20, Test Ta, method 1
Soldering Profile	JEDEC J-STD-020C: - 65800001xxx: 240(+0/-5)°C / 20-40s - 65800003xxx: 260(+0/-5)°C / 20-40s - 65800004xxx: 260(+0/-5)°C / 20-40s
Soldering Heat Resistance	260 °C / 10 sec acc. to IEC 60068-2-20, Test Tb, method 1A

* Ensure that proper fuse de-rating is factored in fuseholder selection.

Agency Approval

Agency	Agency File Number
	40001499
	E70164

Packaging Dimensions (millimeter)



Ordering Information

658 0000 1009	Fuse Holder - Thermoplastic / Tin terminals (100 pcs bulk)
658 0000 1109	Fuse Holder - Thermoplastic / Tin terminals (400 pcs tape & reel)
658 0000 3009	Fuse Holder - LCP plastic / Tin terminals (100 pcs bulk)
658 0000 3109	Fuse Holder - LCP plastic / Tin terminals (400 pcs tape & reel)
658 0000 4009	Fuse Holder - LCP plastic / Gold terminals (100 pcs bulk)
658 0000 4109	Fuse Holder - LCP plastic / Gold terminals (400 pcs tape & reel)
659 0000 0009	Fuse Holder Cover - Transparent plastic (100 pcs bulk)
660 0000 1009	Fuse Holder Cover - Opaque plastic, suitable for infrared (IR) reflow soldering processes (100 pcs bulk)

Additional Information



Datasheet



Resources



Samples