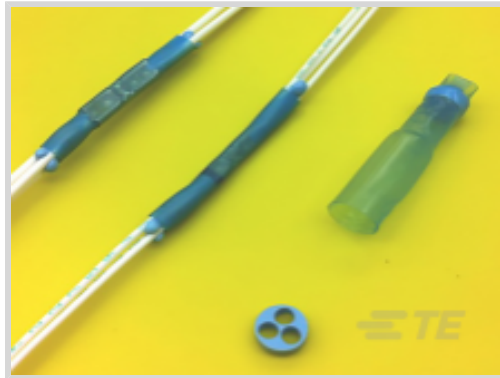




Terminals & Splices > Splices



Wire Size: .15 – .61 mm<sup>2</sup>

Sealable: **Yes**

Splice Features: **Splice Kit**

Barrel Inside Diameter: 1.2 mm [ .048 in ]

## Features

### Product Type Features

Splice Accessory Type	Splice
Sealable	Yes
Wire Insulation Support Retention Type	Non-Insulation Support

### Configuration Features

Number of Serrations	0
Compatible With Wire & Cable Type	Discrete Wire

### Body Features

Insulation Material	Heat Shrink Radiation-Crosslinked Modified Polyvinylidene Fluoride
Product Weight	1 g
Splice Features	Splice Kit

### Contact Features

Contact Base Material	Copper Alloy
Barrel Type	Closed

### Termination Features

Termination Method to Wire & Cable	Crimp
------------------------------------	-------

### Dimensions

Outside Diameter	3.73 mm
------------------	---------



Wire Size	304 – 1216 CMA
-----------	----------------

Barrel Inside Diameter	1.2 mm[.048 in]
------------------------	-----------------

Product Length	34.93 mm[1.35 in]
----------------	-------------------

### Usage Conditions

Insulation Option	Fully Insulated
-------------------	-----------------

Operating Temperature Range	-55 – 175 °C[-67 – 347 °F]
-----------------------------	----------------------------

### Industry Standards

Government Qualified Splice	Yes
-----------------------------	-----

### Packaging Features

Packaging Quantity	100
--------------------	-----

Packaging Method	Bag/Box
------------------	---------

### Product Compliance

[For compliance documentation, visit the product page on TE.com>](#)

EU RoHS Directive 2011/65/EU	Compliant
------------------------------	-----------

EU ELV Directive 2000/53/EC	Compliant
-----------------------------	-----------

China RoHS 2 Directive MIIT Order No 32, 2016	No Restricted Materials Above Threshold
---	---

EU REACH Regulation (EC) No. 1907/2006	Current ECHA Candidate List: JUNE 2024 (241) Candidate List Declared Against: JAN 2024 (240) Does not contain REACH SVHC
--	--

Halogen Content	Low Bromine/Chlorine - Br and Cl < 900 ppm per homogenous material. Also BFR /CFR/PVC Free
-----------------	--

Solder Process Capability	Not applicable for solder process capability
---------------------------	--

#### Product Compliance Disclaimer

This information is provided based on reasonable inquiry of our suppliers and represents our current actual knowledge based on the information they provided. This information is subject to change. The part numbers that TE has identified as EU RoHS compliant have a maximum concentration of 0.1% by weight in homogenous materials for lead, hexavalent chromium, mercury, PBB, PBDE, DBP, BBP, DEHP, DIBP, and 0.01% for cadmium, or qualify for an exemption to these limits as defined in the Annexes of Directive 2011/65/EU (RoHS2). Finished electrical and electronic equipment products will be CE marked as required by Directive 2011/65/EU. Components may not be CE marked. Additionally, the part numbers that TE has identified as EU ELV compliant have a maximum concentration of 0.1% by weight in homogenous materials for lead, hexavalent chromium, and mercury, and 0.01% for cadmium, or qualify for an exemption to these limits as defined in the Annexes of Directive 2000/53/EC (ELV). Regarding the REACH Regulation, the information TE provides on SVHC in articles for this part number is based on the latest European Chemicals Agency (ECHA) 'Guidance on requirements for substances in articles' posted at this URL: <https://echa.europa.eu/guidance-documents/guidance-on-reach>

## Compatible Parts

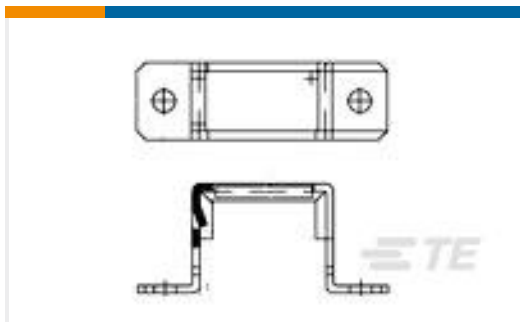


TE Part # EG8162-000  
HL1920E-230V-EURO



TE Part # 992008-000  
AD-1377-CRIMP-TOOL-3-CVTY

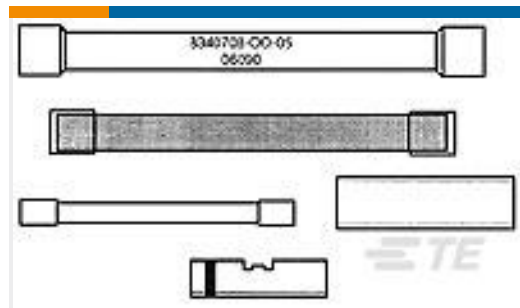
## Customers Also Bought



TE Part #591637-1  
BRACKET,FRAME ASSY



TE Part #638145-000  
D-150-0229



TE Part #449453-000  
D-150-0708-5



TE Part #1662-213-2031  
CONT SOC ASSY



TE Part #100503L  
CONT SOC ASSY



TE Part #650127-000  
D-436-83



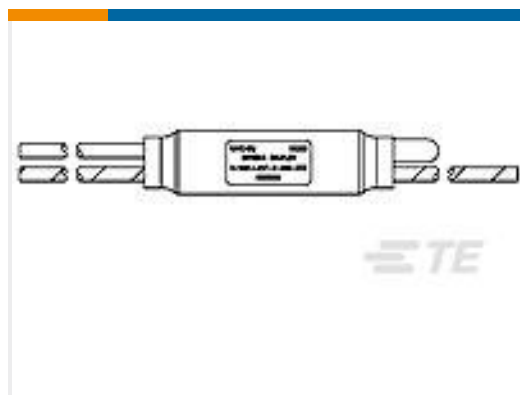
TE Part #236856-000  
SO96-3-01



TE Part #056763-000  
MTC100Q-SH1-R22



TE Part #EM1371-000  
CBS-24C621-43M-9



TE Part #CR5949-000  
D-500-L457-2-612-120

## Documents

### Product Drawings

[D-436-88](#)

English

### Datasheets & Catalog Pages

[1654025\\_Sec8\\_D-436](#)

English



## [Harness Repair Products Quick Reference Guide](#)

English