

### SERIES 65:



ACTUAL SIZE



### SEALED 10 AMP SUB-MINIATURE SWITCHES

These rugged metal enclosed sealed switches use the Butterfly® switch mechanism providing long-life, durability and reliability. These switches are ideal for demanding military and industrial applications.

#### KEY FEATURES:

- Meets the (watertight) requirements per MIL-PRF-8805 enclosure design symbol 3
- Gold contacts
- Variety of actuators available
- Solder terminals standard or wire leads available
- Temperature rating:  
-55°C to +85°C  
(-65°F to +185°F)
- MIL-PRF-8805 QPL listed switches available

#### APPLICATIONS

- Aircraft valves
- Wheelchair lifts
- Machine tools
- Missiles and missile launchers
- Heavy industrial equipment

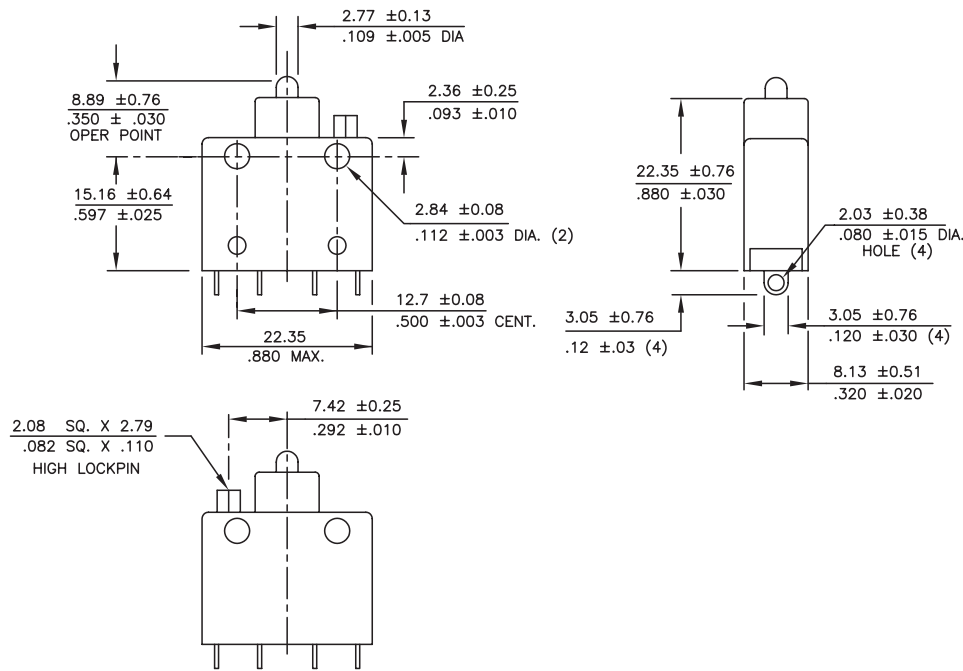
#### ORDERING INFORMATION:

Part Number	Actuator	P.T.	O.T.	O.F.	R.F.	M.D.
65-201000	Pin plunger	.050 max	.012 min	24 ± 8 oz	8 oz min	.010-.030
65-301000	Roller lever	.115 max	.025 min	16 oz max	5 oz min	.058 max
65-401000	Over travel	.070 max	.187 min	36 oz max	8 oz min	.010-.030

#### STANDARDS / AGENCY / RATINGS:



## PIN PLUNGER



## MECHANICAL / ELECTRICAL CHARACTERISTICS:

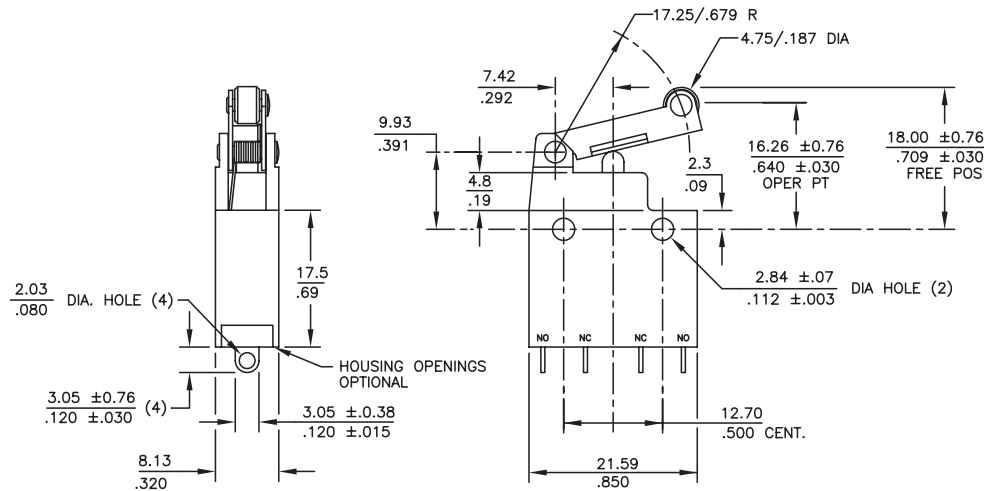
**Circuit:**  
SPDT-DB (Form Z)

**Temperature range:**  
-55°C to +85°C  
(-65°F to +185°F)

### Electrical Ratings (Typical):

Circuitry	125/250 VAC	28 VDC
SPDT-DB (Form Z)	10 A	5 A Ind.

## ROLLER LEVER



## OVER TRAVEL

