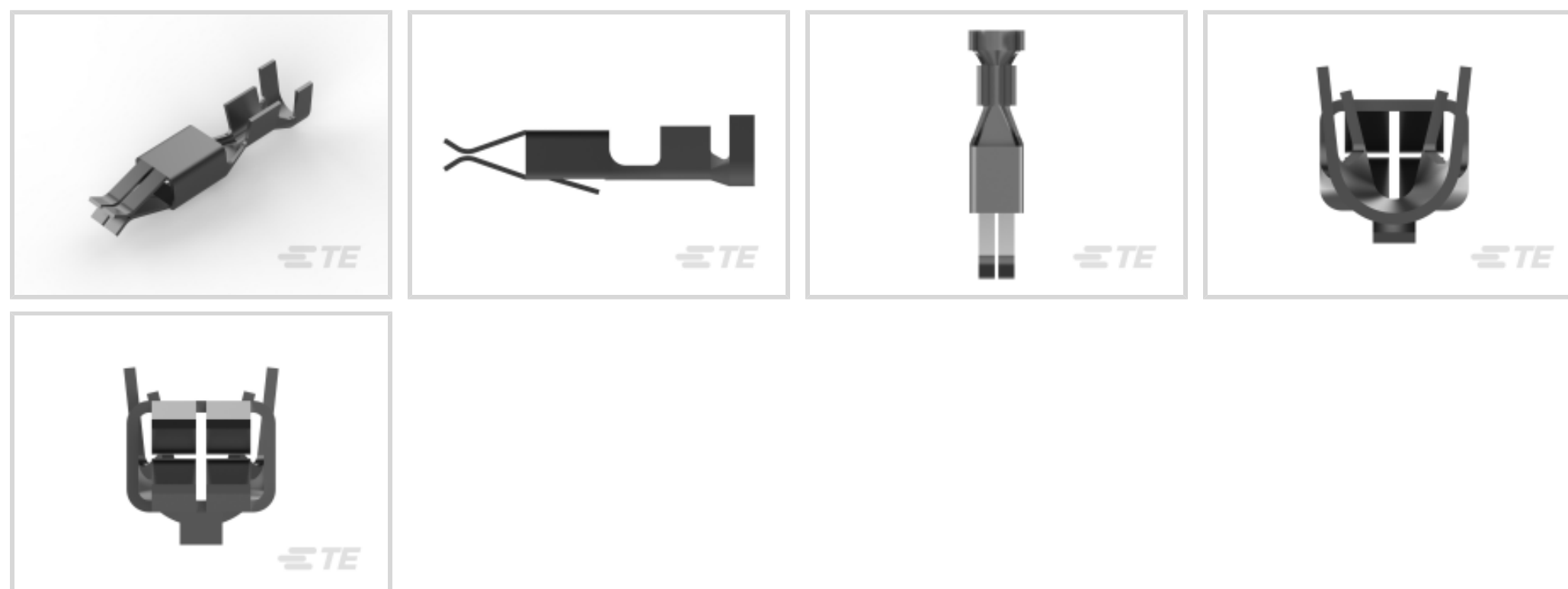




Connectors > Socket Connectors > Pin Sockets



Socket Length: 18.8 mm [.74 in]

Wire Size: .518 – 1.31 mm²

Connector System: **Cable-to-Cable**

Sealable: **No**

Features

Product Type Features

Connector & Contact Terminates To	Wire & Cable
Connector System	Cable-to-Cable
Sealable	No

Termination Features

Termination Method to Wire & Cable	Crimp
------------------------------------	-------

Dimensions

Socket Length	18.8 mm [.74 in]
Wire Size	.518 – 1.31 mm ²

Operation/Application

Solder Process Feature	None
Circuit Application	Power & Signal

Product Compliance

[For compliance documentation, visit the product page on TE.com>](#)

EU RoHS Directive 2011/65/EU	Compliant
EU ELV Directive 2000/53/EC	Compliant

China RoHS 2 Directive MIIT Order No 32, 2016

No Restricted Materials Above Threshold

EU REACH Regulation (EC) No. 1907/2006

Current ECHA Candidate List: JUNE 2024 (241)

Candidate List Declared Against: JUNE 2024 (241)

Does not contain REACH SVHC

Halogen Content

Low Halogen - Br, Cl, F, I < 900 ppm per homogenous material. Also BFR/CFR/PVC Free

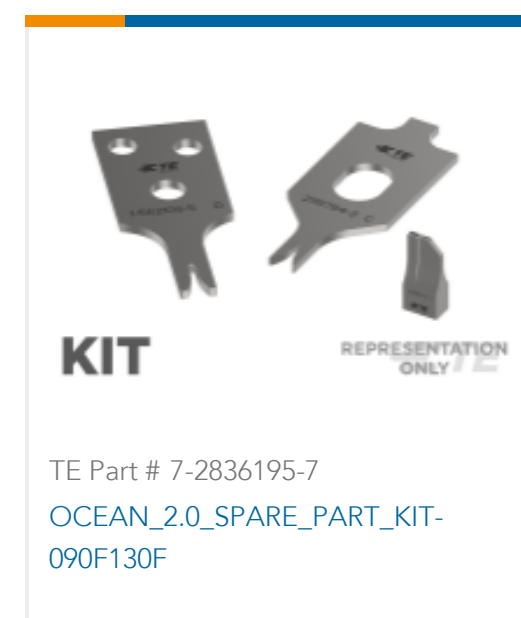
Solder Process Capability

Not applicable for solder process capability

Product Compliance Disclaimer

This information is provided based on reasonable inquiry of our suppliers and represents our current actual knowledge based on the information they provided. This information is subject to change. The part numbers that TE has identified as EU RoHS compliant have a maximum concentration of 0.1% by weight in homogenous materials for lead, hexavalent chromium, mercury, PBB, PBDE, DBP, BBP, DEHP, DIBP, and 0.01% for cadmium, or qualify for an exemption to these limits as defined in the Annexes of Directive 2011/65/EU (RoHS2). Finished electrical and electronic equipment products will be CE marked as required by Directive 2011/65/EU. Components may not be CE marked. Additionally, the part numbers that TE has identified as EU ELV compliant have a maximum concentration of 0.1% by weight in homogenous materials for lead, hexavalent chromium, and mercury, and 0.01% for cadmium, or qualify for an exemption to these limits as defined in the Annexes of Directive 2000/53/EC (ELV). Regarding the REACH Regulation, the information TE provides on SVHC in articles for this part number is based on the latest European Chemicals Agency (ECHA) 'Guidance on requirements for substances in articles' posted at this URL: <https://echa.europa.eu/guidance-documents/guidance-on-reach>

Compatible Parts



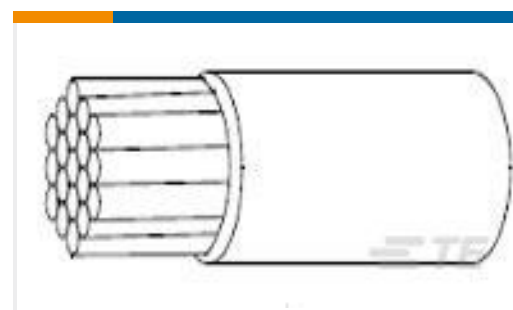
Customers Also Bought



TE Part #1-1969443-1
EP 2.5 TPA Retainer, 11 Pos



TE Part #521411-1
ULTRA-POD 250 ASY REC 22-18 AWG
BR



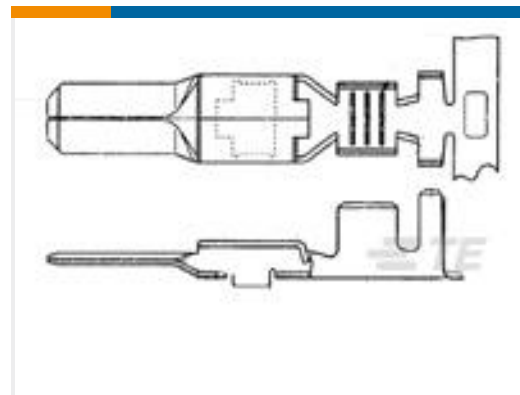
TE Part #156160-001
22759/32-22-1



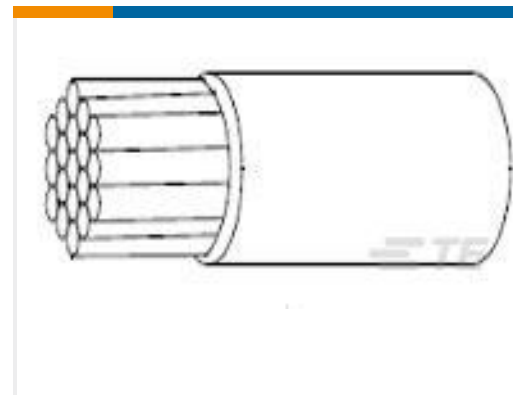
TE Part #2040594-5
SEAL CAP HSG 8P, AMPSEAL16 SEA



TE Part #2292865-3
AS16,CAP BACKSHELL KIT,ST,12P,
NC16



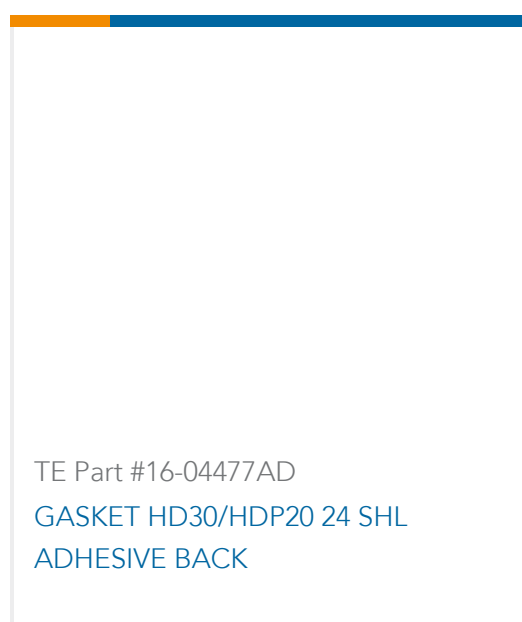
TE Part #175048-1
FF 187 TAB 2-3MM2 PTBR



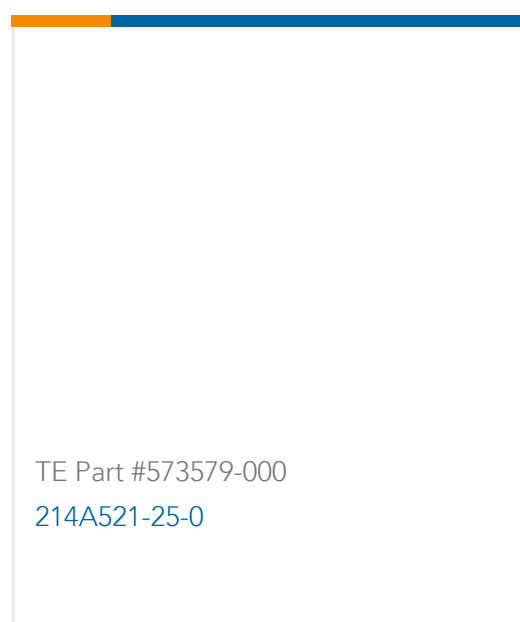
TE Part #216203-001
22759/32-22-3



TE Part #1-2333508-1
AMP MCP 2.8 SOCKET HSG 21 POS
SEALED



TE Part #16-04477AD
GASKET HD30/HDP20 24 SHL
ADHESIVE BACK



TE Part #573579-000
214A521-25-0

Documents

Product Drawings

MINI-SPRING RECEPTACLE 20-16 AWG PTPPHBZ

English

CAD Files

3D PDF

3D

Customer View Model

[ENG_CVM_CVM_643222-2_P.2d_dxf.zip](#)

English

Customer View Model

[ENG_CVM_CVM_643222-2_P.3d_igs.zip](#)

English

Customer View Model

[ENG_CVM_CVM_643222-2_P.3d_stp.zip](#)

English

By downloading the CAD file I accept and agree to the [Terms and Conditions](#) of use.

Product Specifications



EBGeneral Application Specification for Open Barrel Terminals**

English

Application Specification

English

Instruction Sheets

Instruction Sheet (U.S.)

English