



AMP

TE Internal #: 641294-2

Socket Contact, Gold, 250 VAC, 250 VDC, Locking Lance Contact Retention, Discrete Wire, 26 – 18 AWG Wire Size, .12 – .8 mm² Wire Size

[View on TE.com >](#)

Connectors > Contacts > Connector Contacts



Contact Type: **Socket**

Contact Mating Area Plating Material: **Gold**

Wire Contact Termination Area Plating Material: **Gold Flash**

Operating Voltage: **250 VDC**

Features

Packaging Features

Packaging Quantity	6500
Packaging Method	Reel

Product Type Features

Discrete Wire Type	Stranded
Sealable	No

Dimensions

Compatible Insulation Diameter Range	.64 – 2.92 mm [.05 – .115 in]
Wire Size	236.823 – 1578.82 CMA

Mechanical Attachment

Wire Insulation Support	With
Contact Retention Type Within Housing	Locking Lance

Contact Features

Contact Underplating Material	Nickel
Contact Orientation	Straight

Mating Pin Diameter	1.98 mm[.077 in]
Contact Underplating Material Thickness	1.27 μm[50 μin]
Contact Fabrication	Stamped & Formed
Contact Mating Area Plating Material Thickness	.76 μm[30 μin]
Contact Length	16.76 mm[.66 in]
Wire Contact Termination Area Plating Thickness	1.27 μm[50 μin]
Barrel Type	Open
Contact Type	Socket
Contact Mating Area Plating Material	Gold
Wire Contact Termination Area Plating Material	Gold Flash
Contact Retention Within Housing	With
Contact Base Material	Phosphor Bronze
Contact Current Rating (Max)	9 A

Electrical Characteristics

Operating Voltage	250 VDC
-------------------	---------

Configuration Features

Compatible With Wire & Cable Type	Discrete Wire
-----------------------------------	---------------

Termination Features

Termination Method to Wire & Cable	Crimp
Product Terminates To	Wire & Cable

Usage Conditions

Operating Temperature Range	-55 – 85 °C[-67 – 185 °F]
-----------------------------	---------------------------

Operation/Application

Circuit Application	Power & Signal
---------------------	----------------

Other

EU RoHS Compliance	Compliant
EU ELV Compliance	Compliant

Product Compliance

[For compliance documentation, visit the product page on TE.com>](#)

EU RoHS Directive 2011/65/EU	Compliant
EU ELV Directive 2000/53/EC	Compliant




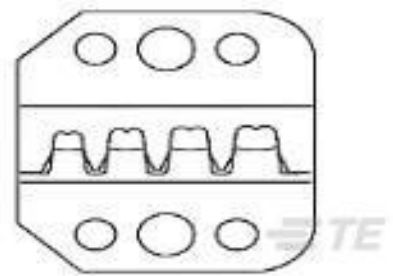





China RoHS 2 Directive MIIT Order No 32, 2016	No Restricted Materials Above Threshold
EU REACH Regulation (EC) No. 1907/2006	Current ECHA Candidate List: JUNE 2024 (241) Candidate List Declared Against: JUNE 2024 (241) Does not contain REACH SVHC
Halogen Content	Low Halogen - Br, Cl, F, I < 900 ppm per homogenous material. Also BFR/CFR/PVC Free
Solder Process Capability	Not applicable for solder process capability

Product Compliance Disclaimer

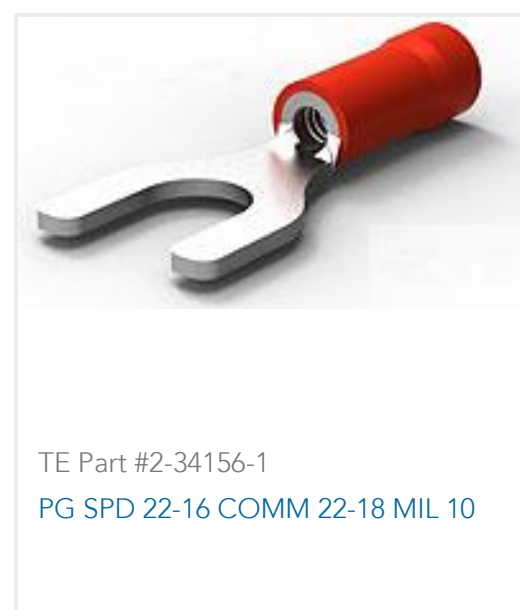
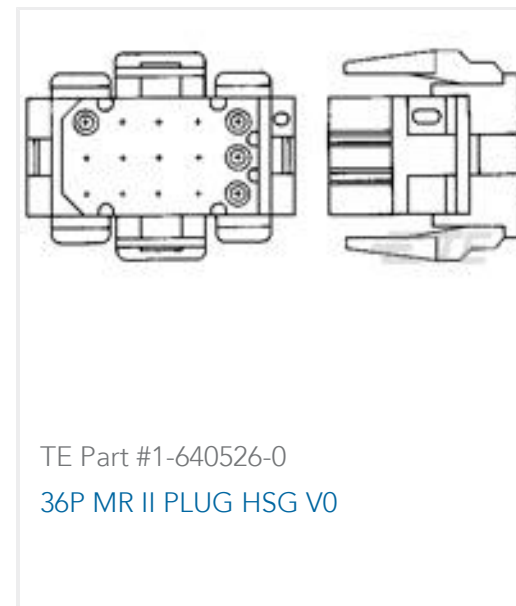
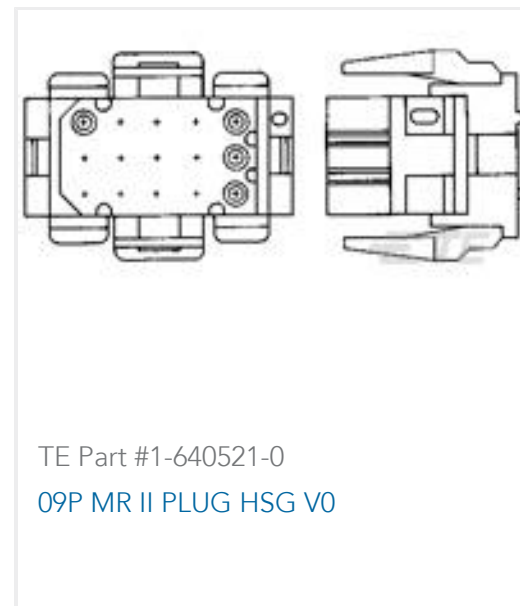
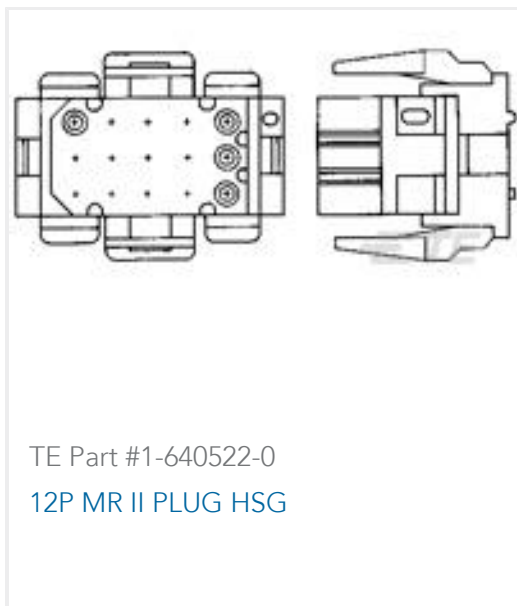
This information is provided based on reasonable inquiry of our suppliers and represents our current actual knowledge based on the information they provided. This information is subject to change. The part numbers that TE has identified as EU RoHS compliant have a maximum concentration of 0.1% by weight in homogenous materials for lead, hexavalent chromium, mercury, PBB, PBDE, DBP, BBP, DEHP, DIBP, and 0.01% for cadmium, or qualify for an exemption to these limits as defined in the Annexes of Directive 2011/65/EU (RoHS2). Finished electrical and electronic equipment products will be CE marked as required by Directive 2011/65/EU. Components may not be CE marked. Additionally, the part numbers that TE has identified as EU ELV compliant have a maximum concentration of 0.1% by weight in homogenous materials for lead, hexavalent chromium, and mercury, and 0.01% for cadmium, or qualify for an exemption to these limits as defined in the Annexes of Directive 2000/53/EC (ELV). Regarding the REACH Regulation, the information TE provides on SVHC in articles for this part number is based on the latest European Chemicals Agency (ECHA) 'Guidance on requirements for substances in articles' posted at this URL: <https://echa.europa.eu/guidance-documents/guidance-on-reach>

Compatible Parts

 <p>TE Part # 2063388-1 TOOL, EXTRACTION</p>	 <p>TE Part # 58514-1 PROCRIMP TL W/DIE MR26-18</p>	 <p>TE Part # 91526-1 CCII MR II+ REC 26-18 ASSY</p>	 <p>TE Part # 58514-2 PROCRIMP DIE MR26-18</p>
 <p>TE Part # 2151229-1 OCEAN-2.0-APPLICATOR-S-055F120F-RSM</p>	 <p>TE Part # 2151229-2 OCEAN-2.0-APPLICATOR-S-055F120F-RSA</p>	 <p>TE Part # 2305570-1 Strip Terminal Cutter-Side Feed-No Crimp</p>	 <p>TE Part # 5-2151229-1 OCEAN-2.0-APPLICATOR-S-055F120F-RSM</p>



Customers Also Bought



Documents

Product Drawings

[MR RECPT 26-18 AUNI/AUPHBZ](#)

English

CAD Files

[3D PDF](#)

[3D](#)

[Customer View Model](#)

[ENG_CVM_CVM_641294-2_T.2d_dxf.zip](#)



English

Customer View Model

[ENG_CVM_CVM_641294-2_T.3d_igs.zip](#)

English

Customer View Model

[ENG_CVM_CVM_641294-2_T.3d_stp.zip](#)

English

Customer View Model

[ENG_CVM_641294-2_E1.3d_igs.zip](#)

English

Customer View Model

[ENG_CVM_641294-2_E1.3d_stp.zip](#)

English

Customer View Model

[ENG_CVM_641294-2_E1.2d_dxf.zip](#)

English

3D PDF

English

By downloading the CAD file I accept and agree to the [Terms and Conditions](#) of use.

Datasheets & Catalog Pages

[SOFT_SHELL_PIN_AND_SOCKET_CONNECTORS_CATALOG](#)

English

Product Specifications

[Application Specification](#)

English