

Distributed by:

**JAMECO**<sup>®</sup>  
ELECTRONICS

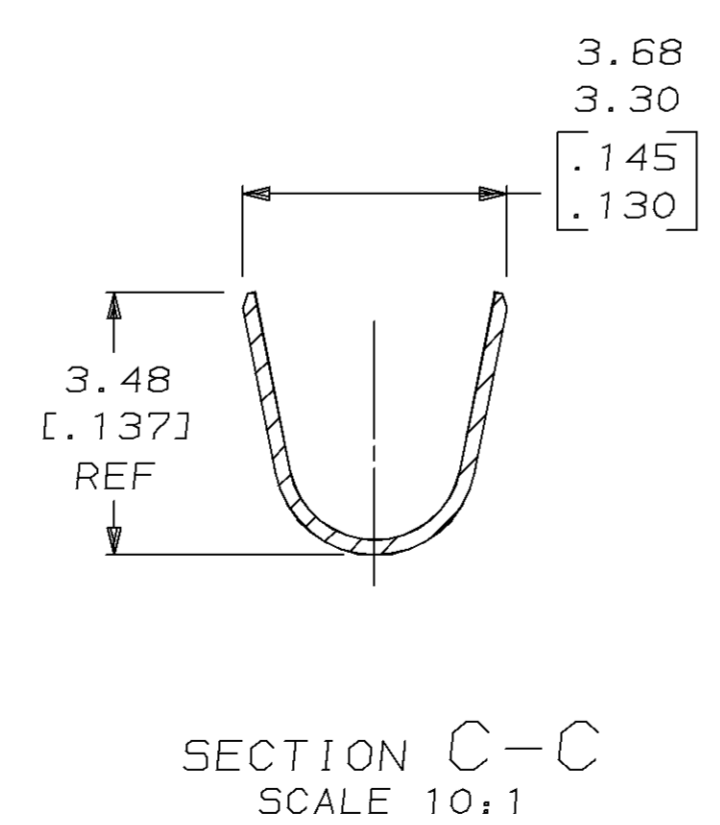
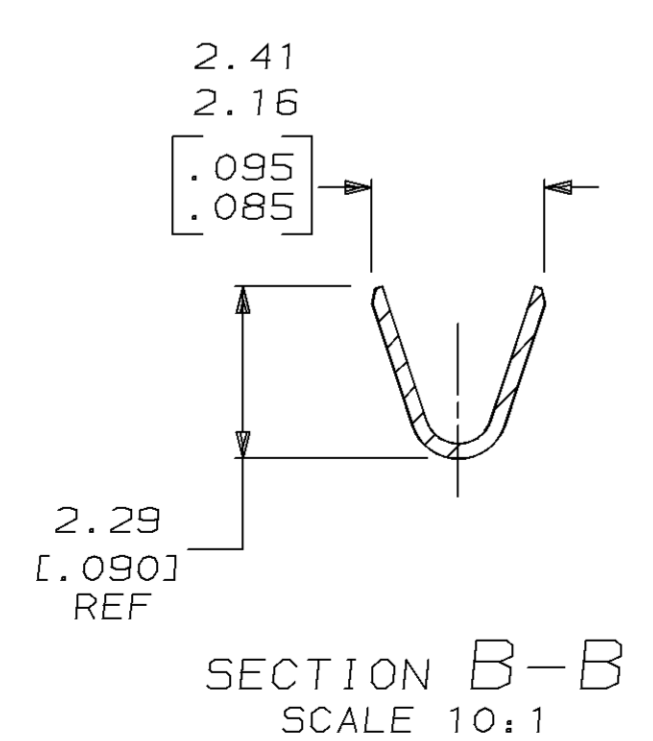
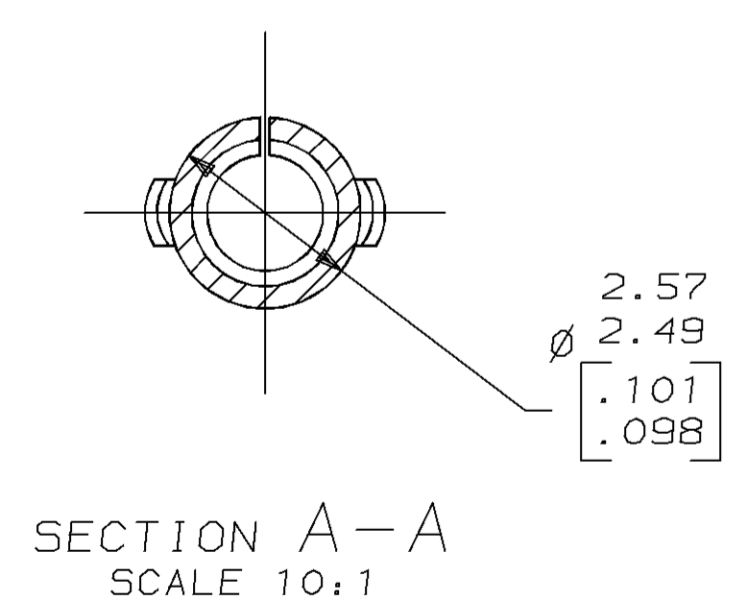
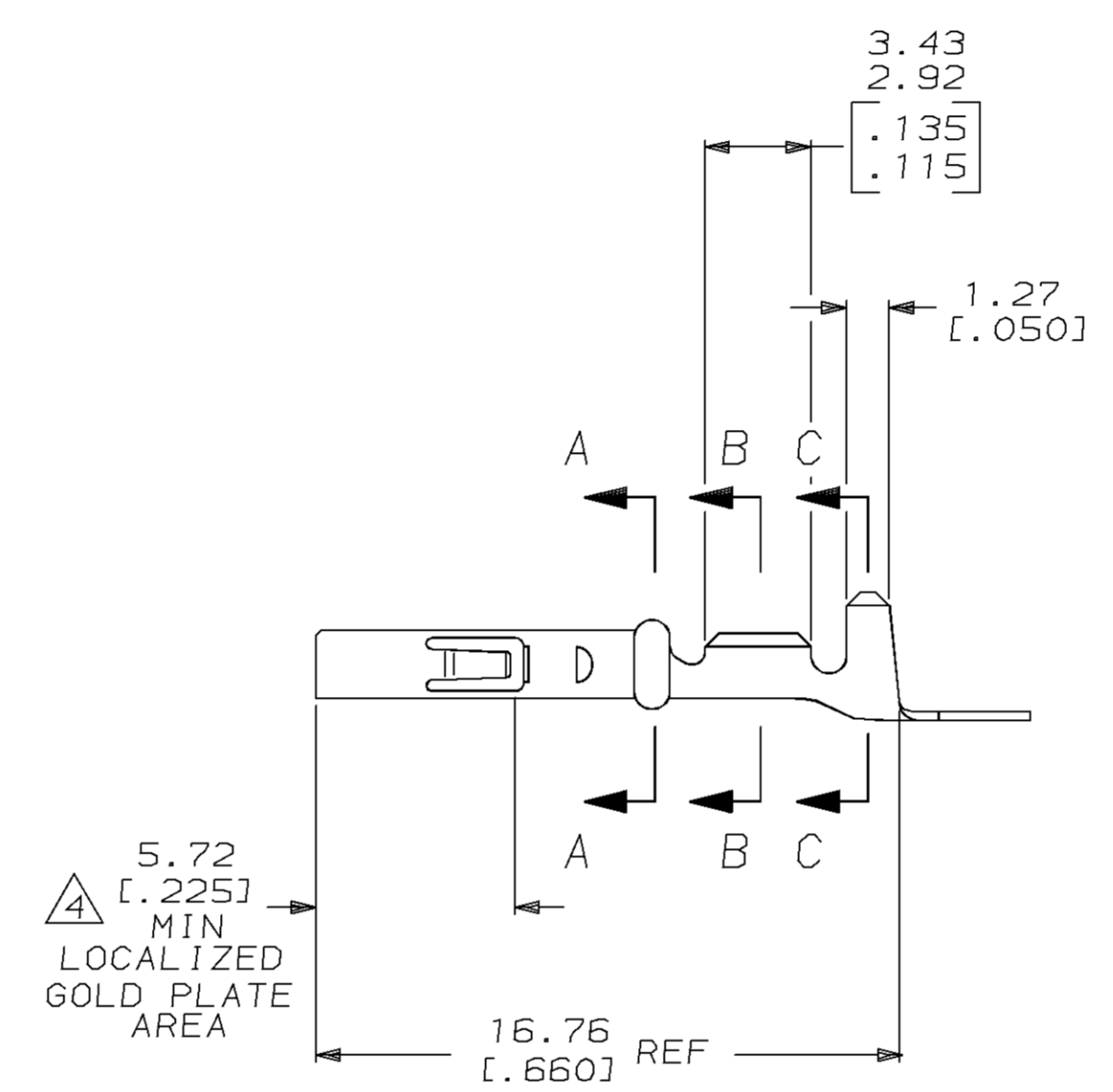
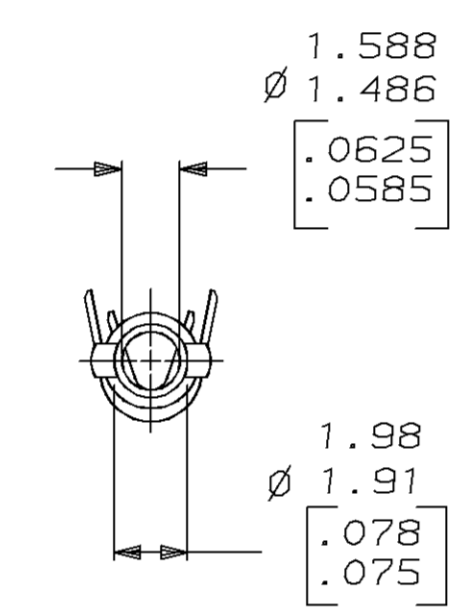
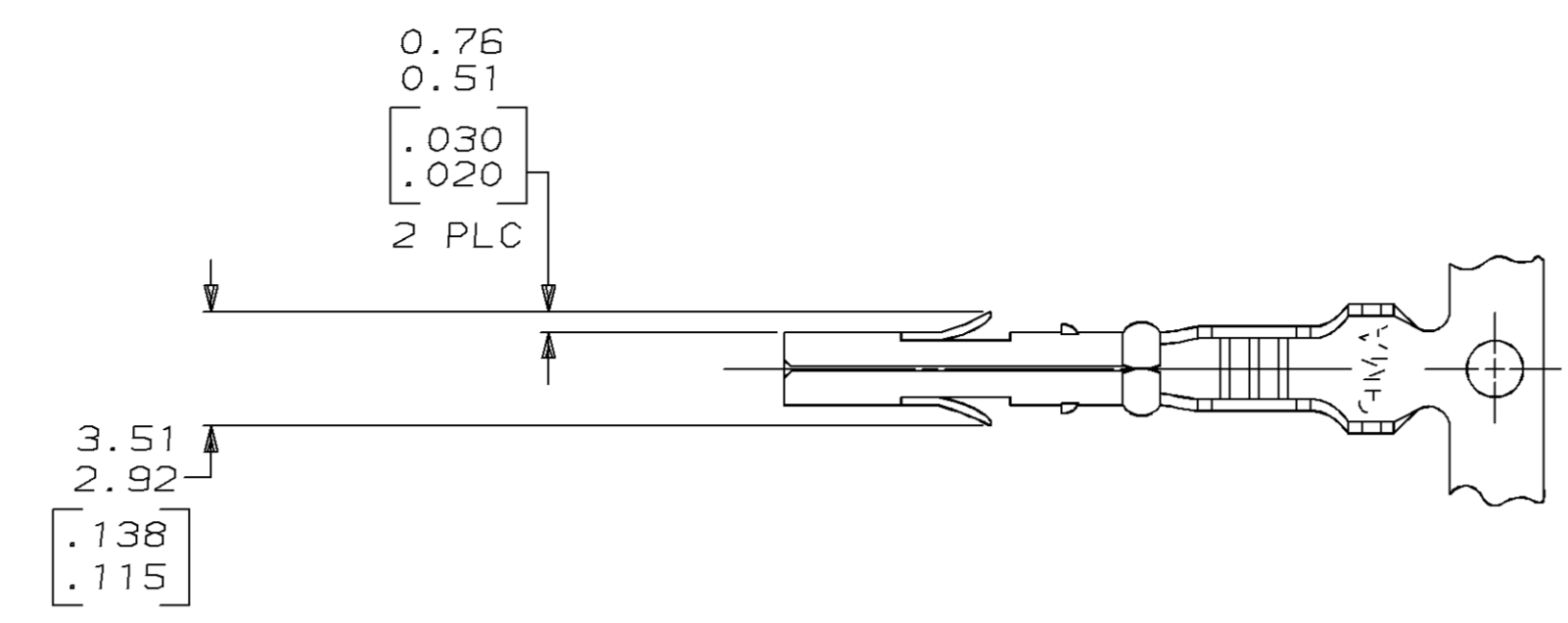
**www.Jameco.com ♦ 1-800-831-4242**

The content and copyrights of the attached  
material are the property of its owner.

Jameco Part Number 856722

LOC		DIST		P		F		ZONE		LTR		REVISIONS			
CM	52											DESCRIPTION	DATE	APPD	
												E	REV PER EC 0730-0004-95	2-9-95	JH

- 1 WIRE RANGE: 0.12-0.9mm<sup>2</sup> (26-18 AWG).
  - 2 INSULATION RANGE: 1.27-2.92 [.050-.115] MAX. DIA.
  - 3 DIMENSIONS IN BRACKETS ARE IN INCHES.
- △ PLATE INTERNALLY WITH 0.00076 [.000030] MIN GOLD IN THE LOCALIZED GOLD PLATE AREA, GOLD FLASH ON THE REMAINDER, OVER 0.00127 [.000050] MIN NICKEL UNDERPLATE.



FINISH	MATERIAL	PART NO
△ GOLD STRIPE	0.20 [.008] PHOS BRZ	641294-2
PRE-TIN	0.20 [.008] PHOS BRZ	641294-1

DO NOT SCALE PRINT. UNLESS SPECIFIED DIMENSIONS IN mm [INCHES] TOLERANCES ON:		DR 9-28-94 K. SALMON		<b>AMP</b> AMP Incorporated Harrisburg, PA 17105-3608 NAME <b>MR RECEPTACLE</b>	
2 PLC DEC ± -		CHK 9-28-94 R. SWING			
3 PLC DEC ± 0.13 [.005]		APPD 9-28-94 W. LONG			
ANGLES ± -		APPD 9-28-94 W. LONG			
MATERIAL	SEE TABLE	PRODUCT SPEC	-		
FINISH	SEE TABLE	APPLICATION SPEC	-	SIZE	D
		WEIGHT	-	CAGE CODE	00779
				DRAWING NO	©-641294
				SCALE	5:1
				SHEET	1 OF 1

**METRIC**

THIS DRAWING IS A CONTROLLED DOCUMENT FOR AMP INCORPORATED. IT IS SUBJECT TO CHANGE AND THE CONTROLLING ENGINEERING ORGANIZATION SHOULD BE CONTACTED FOR THE LATEST REVISION.