

Systems for optimising production and logistics areas / Accessories

## Terminal element RM 12-230VAC/DC GY



Part No.:	640.910.00
Series:	KombiSIGN 71



### MECHANICAL DATA

Height	36 mm
Diameter	70 mm
Materials	PA-GF PC
Housing colour	Grey
Protection category	IP65
Connection	Spring-type terminal
cross-sectional area maximum	1,50mm <sup>2</sup> / 16AWG
Cable entry	Through hole
Cable entry maximum	d = 11 mm
Type of fixing	Tube mounting
Working temperature minimum	-20°C
Working temperature maximum	+50°C
UL Type Rating	Type 12
Weight with packaging	96 g
Product weight	78 g

### ELECTRICAL DATA

Operating voltage	12-230V
Operating voltage type	AC/DC
Protection class	Protection class 2
Pollution degree	3
Overvoltage category	II
Isolation voltage	U <sub>i</sub> = 250V; U <sub>imp</sub> = 2.500V

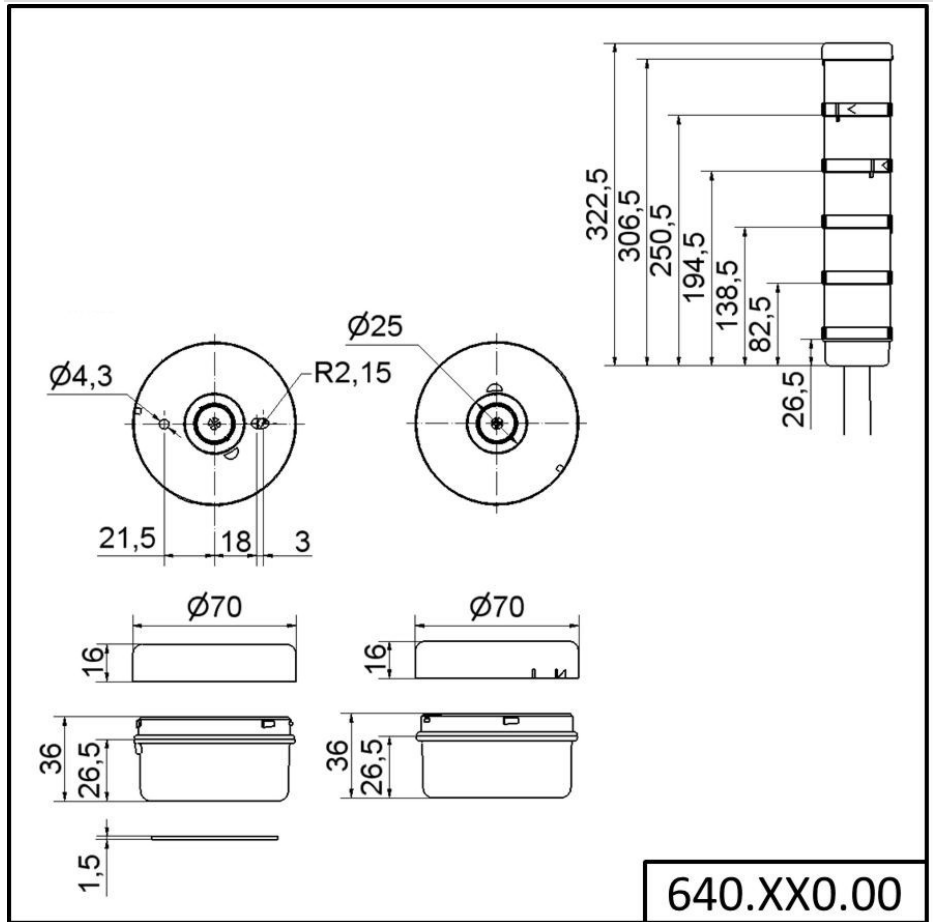


For additional installation and mounting information, refer to the appropriate user guide at [www.werma.com](http://www.werma.com). This printed copy is for information only and is subject to alteration.

Systems for optimising production and logistics areas / Accessories

**Terminal element RM 12-230VAC/DC GY**

**DRAWING**



**640.XX0.00**

! For additional installation and mounting information, refer to the appropriate user guide at [www.werma.com](http://www.werma.com). This printed copy is for information only and is subject to alteration.