

PLEASE CHECK WWW.MOLEX.COM FOR LATEST PART INFORMATION

Part Number: [64008-1270](#)
Status: **Active**
Description: Square DIN style die sets used with 300 MCM (14 mm wide) compression lugs

Documents:
[RoHS Certificate of Compliance \(PDF\)](#)

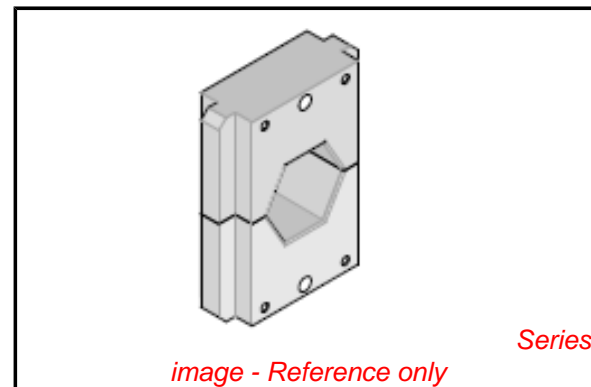
General

Product Family	Application Tooling
Series	T9999
Comments	See Tooling Specification (PDF) Above. The Square "DIN" style die sets are used with two machines and each machine requires an adapter for the square "DIN" dies. The Molex UP60, order number 63801-8900 will process the square "DIN" style die sets with the 63801-8901 adapter. The Molex 12 ton battery crimp tool, order number 63816-1000 will process the square "DIN" style die sets with the 63816-1100 adapter. Refer to the appropriate crimper instruction manual for installation and operation information.
Function	Crimp
Geographic Area	Global
Level of Automation	Manual
More Detailed Tech Information	applicationtooling@molex.com
Product Name	N/A
Survey	www.molex.com//review/apptool_survey.html
Tool Type	Tool Kit
UPC	887191541020

Material Info

Reference - Drawing Numbers

Application Tooling Documents	ATS-640081270
-------------------------------	---------------



EU RoHS	China RoHS
Compliance Status	
Not Reviewed	
REACH SVHC	
Not Reviewed	
Low-Halogen Status	
Not Reviewed	

Need more information on product environmental compliance?

Email productcompliance@molex.com
 For a multiple part number RoHS Certificate of Compliance, [click here](#)

Please visit the [Contact Us](#) section for any non-product compliance questions.

Search Parts in this Series
[T9999Series](#)

Use With
 63801-8900 and 63801-8901 or 63816-1000 and 63816-1100