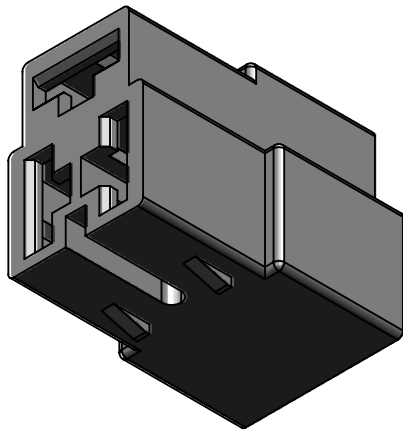
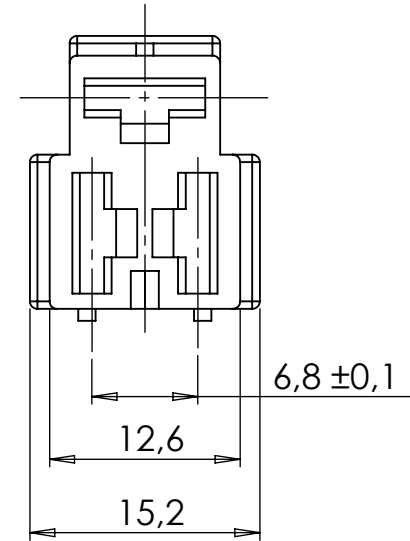
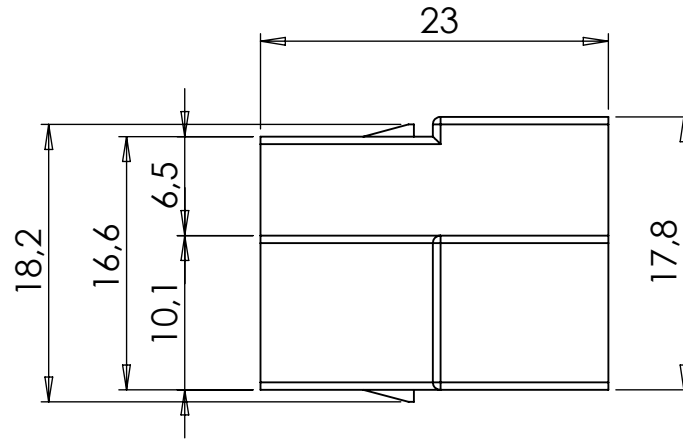
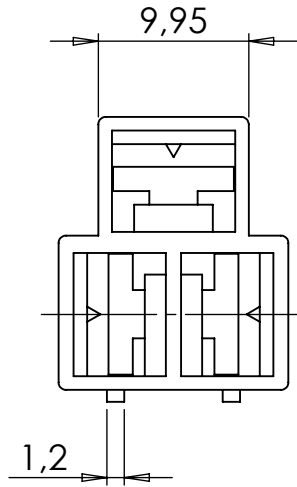
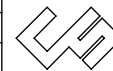


This drawing and all informations contained here can not be used or reproduced, integrally or partially, without written authorization by Colombo Sergio & Figli.

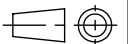


DIMENSIONS WITHOUT TOLERANCES		63N017STY	PA46 UL94 V-2
∠ ±2°	0 - 6	±0.1	63N017V0750NF PA66 UL94 V-0 GWIT 775
	6 - 30	±0.2	63N017-G PA6 UL94 V-2 GWIT 775
	> 30	±0.3	PART NUMBER MATERIAL

4	Updated thermoplastic materials	09-07-2009
3	Decreased terminal seat height by 0.1 mm	30-10-2006
2	Updated drawing as per dimensional checking	17-09-2002
1	Updated drawing (external hooks width)	02-10-1998
INDEX	MODIFICATION	DATE



COLOMBO SERGIO e Figli S.r.l.
 20063 CERNUSCO S/N - VIA COMO, 11
 TEL +39.02.9210.7404 - FAX +39.02.9210.0217
<http://www.cscolombo.com> - e-mail: info@cscolombo.com



SCALE	CAD REFER	SIZE	INDEX 0
2:1	Y:\dises\63\6317\	A4	28-01-1994
BASE CODE		DESCRIPTION	
- 63N017		Connector 3 poles for 6.3 mm [.250] socket terminals	