

**PLEASE CHECK WWW.MOLEX.COM FOR LATEST PART INFORMATION**

**Part Number:** [63912-5000](#)  
**Status:** **Active**  
**Description:** T2 Terminator for 1.50mm Pitch Wire-to-Board Terminal

**Documents:**  
[RoHS Certificate of Compliance \(PDF\)](#)

**General**

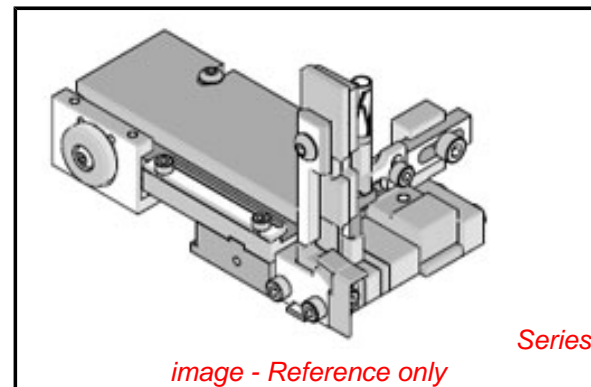
Product Family	Application Tooling
Series	T9999
Comments	See Tooling Specification (PDF) Above
Function	Crimp
Geographic Area	Global
Level of Automation	Semi-Automatic
More Detailed Tech Information	<a href="mailto:applicationtooling@molex.com">applicationtooling@molex.com</a>
Product Name	T2
Survey	<a href="http://www.molex.com//review/apptool_survey.html">www.molex.com//review/apptool_survey.html</a>
Tool Type	T2 Terminator Die
UPC	884982695320

**Material Info**

**Reference - Drawing Numbers**

Application Tooling Documents

TM-638000029, TM-638000029CN, TM-638000029DE, TM-638000029FR, TM-638000029IT, TM-638000029JP, TM-638000029KR, TM-638000029MY, TM-638000029PL, TM-638000029RU, TM-638000029SK, TM-638000029SP, TM-638000029TH, TM-638000029TW, TM-638000029VN, TM-638500090, TM-638500090SP



<b>EU RoHS</b>	<b>China RoHS</b>
<b>Compliance Status</b>	
<b>Not Reviewed</b>	
<b>REACH SVHC</b>	
<b>Not Reviewed</b>	
<b>Low-Halogen Status</b>	
<b>Not Reviewed</b>	

**Need more information on product environmental compliance?**

Email [productcompliance@molex.com](mailto:productcompliance@molex.com)  
 For a multiple part number RoHS Certificate of Compliance, [click here](#)

Please visit the [Contact Us](#) section for any non-product compliance questions.

**Search Parts in this Series**  
[T9999Series](#)

**Use With**  
[502579](#) CLIK-Mate™ Wire-to-Board Crimp Terminal

<b>Application Tooling Description</b>	<b>FAQ Product #</b>
1.50mm Pitch CLIK-Mate™ Wire-to-Board Crimp Terminal, Chain	5025790000