

**PLEASE CHECK WWW.MOLEX.COM FOR LATEST PART INFORMATION**

**Part Number:** [63912-4800](#)  
**Status:** **Active**  
**Description:** T2 Terminator™ for insulation OD 2.50-2.95mm optimized for 18 AWG only

**Documents:**

[RoHS Certificate of Compliance \(PDF\)](#)

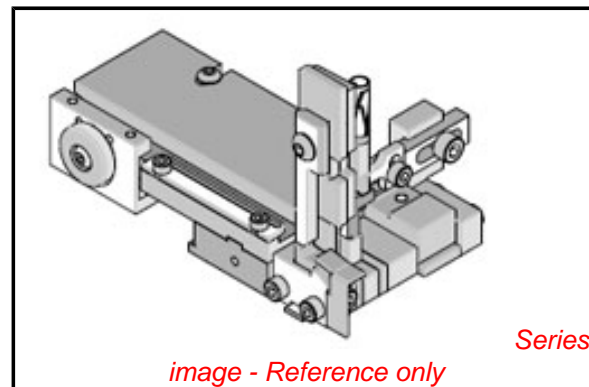
**General**

Product Family	Application Tooling
Series	T9999
Comments	See Tooling Specification (PDF) Above
Function	Crimp
Geographic Area	Global
Level of Automation	Semi-Automatic
More Detailed Tech Information	<a href="mailto:applicationtooling@molex.com">applicationtooling@molex.com</a>
Product Name	T2
Survey	<a href="http://www.molex.com//review/apptool_survey.html">www.molex.com//review/apptool_survey.html</a>
Tool Type	T2 Terminator Die
UPC	884982687028

**Material Info**

**Reference - Drawing Numbers**

Application Tooling Documents	ATS-639124800, TM-638000029, TM-638000029CN, TM-638000029DE, TM-638000029FR, TM-638000029IT, TM-638000029JP, TM-638000029KR, TM-638000029MY, TM-638000029PL, TM-638000029RU, TM-638000029SK, TM-638000029SP, TM-638000029TH, TM-638000029TW, TM-638000029VN, TM-638500090, TM-638500090SP
-------------------------------	---



<b>EU RoHS</b>	<b>China RoHS</b>
<b>Compliance Status</b>	
<b>Not Reviewed</b>	
<b>REACH SVHC</b>	
<b>Not Reviewed</b>	
<b>Low-Halogen Status</b>	
<b>Not Reviewed</b>	

**Need more information on product environmental compliance?**

Email [productcompliance@molex.com](mailto:productcompliance@molex.com)  
 For a multiple part number RoHS Certificate of Compliance, [click here](#)

Please visit the [Contact Us](#) section for any non-product compliance questions.

**Search Parts in this Series**

T9999Series

**Use With**

Mini-Fit Jr.™, Mini-Fit HCS™, and Mini-Fit Plus HCS™ Crimp Terminal 18 AWG ONLY with Large Insulation OD's [5556](#) , [5558](#) , [30490](#) , [44476](#) , [44478](#) , [44485](#)

<b>Application Tooling</b>	<b>FAQ</b>
<b>Description</b>	<b>Product #</b>

4.20mm Pitch Mini-Fit® Crimp Terminal, Female, with Tin (Sn) over Copper (Cu) Plated Brass, 18-24 AWG, Reel	0039000038
4.20mm Pitch Mini-Fit® Crimp Terminal, Male, with Tin (Sn) over Copper (Cu) Plated Brass Contact, 18-24 AWG, Reel	0039000040

4.20mm Pitch Mini- 0039000059  
Fit® Crimp Terminal,  
Female, Phosphor  
Bronze, Tin (Sn),  
18-24 AWG, Reel

4.20mm Pitch Mini- 0039000061  
Fit® Crimp Terminal,  
Male, Phosphor  
Bronze, Tin (Sn),  
18-24 AWG, Reel

4.20mm Pitch Mini- 0039000075  
Fit® Crimp Terminal,  
Male, Brass, Gold  
(Au) Contact Plating,  
Lead-free, 18-24  
AWG, Reel

4.20mm Pitch Mini- 0039000120  
Fit® Crimp Terminal,  
Male, with Tin  
(Sn) Plated Brass  
Contact, 18-24 AWG,  
Reel

4.20mm Pitch Mini- 0039000121  
Fit® Crimp Terminal,  
Male, with Tin  
(Sn) Plated Brass  
Contact, 18-24 AWG,  
Bag

4.20mm Pitch Mini- 0039000126  
Fit® Crimp Terminal,  
Male, Tin (Sn),  
Phosphor Bronze,  
18-24 AWG, Reel

4.20mm Pitch Mini- 0039000207  
Fit® Crimp Terminal,  
Female, with Tin  
(Sn) over Nickel (Ni),  
18-24 AWG, Reel

4.20mm Pitch Mini- 0039000213  
Fit® Crimp Terminal,  
Female, Phosphor  
Bronze, Tin (Sn),  
18-24 AWG, Reel

4.20mm Pitch Mini- 0039000219  
Fit® Crimp Terminal,  
Male, Phosphor  
Bronze, Gold (Au),  
18-24 AWG, Reel

4.20mm Pitch Mini- 0039000430  
Fit® Crimp Terminal,  
Male, Brass, Gold  
(Au) Contact Plating,  
Lead-free, 18-24  
AWG, Reel

Mini-Fit® Grounding 0304901002  
Pin 30490, 18-24  
AWG, Reel,  
Phosphor Bronze ,  
Tin or Select Gold  
(Au)

Mini-Fit® Crimp 0304902002  
Grounding Terminal,  
Series 30490, Male,  
with Tin (Sn) Plated  
Phosphor Bronze

Contact, 18-24 AWG, Reel	
Mini-Fit® Plus HCS Crimp Terminal 45750, 18-20 AWG, Reel, Copper (Cu) Alloy, Tin (Sn)	0457501111
Mini-Fit® Plus HCS Crimp Terminal 45750, 18-20 AWG, Reel, Copper (Cu) Alloy, Gold (Au)	0457501211
Selective Mini-Fit® Plus HCS Crimp Terminal, 18-20 AWG, Reel, Tin (Sn) Plating	0460121141
Mini-Fit® Plus HCS Crimp Terminal, 18-20 AWG, Reel, 0.76µm Gold (Au) Selective Plating	0460121241
Mini-Fit® Plus HMC (High Mating Cycle) Female Crimp Terminal, 18-20 AWG, Reel, Select Gold (Au) Plating with Proprietary Molex Advanced Contact Surface Finish (CSF) in Contact Area	0460181541
4.20mm Pitch Mini-Fit® Crimp Terminal, Female, with Selective Gold (Au) and Selective Tin (Sn) over Nickel (Ni), 18-24 AWG, Reel	0039000073
4.20mm Pitch Mini- Fit® Crimp Terminal, Female, Phosphor Bronze, Gold (Au), 18-24 AWG, Reel	0039000181
4.20mm Pitch Mini-Fit® Crimp Terminal, Female, with Selective Gold (Au) and Selective Tin (Sn) over Nickel (Ni), 18-24 AWG, Reel	0039000428

This document was generated on 04/29/2013

**PLEASE CHECK [WWW.MOLEX.COM](http://WWW.MOLEX.COM) FOR LATEST PART INFORMATION**