

PLEASE CHECK WWW.MOLEX.COM FOR LATEST PART INFORMATION

Part Number: [63912-3900](#)
Status: **Active**
Description: T2 Terminator™ for insulation OD 1.40-1.70mm - 18-24 AWG

Documents:
[RoHS Certificate of Compliance \(PDF\)](#)

General

Product Family	Application Tooling
Series	T9999
Comments	See Tooling Specification (PDF) Above
Function	Crimp
Geographic Area	Global
Level of Automation	Automatic, Semi-Automatic
More Detailed Tech Information	applicationtooling@molex.com
Product Name	T2
Survey	www.molex.com//review/apptool_survey.html
Tool Type	Terminator
UPC	884982666726

Physical

Net Weight 889.088/g

Material Info

Reference - Drawing Numbers

Application Tooling Documents

ATS-639123900, TM-638000029, TM-638000029CN, TM-638000029DE, TM-638000029FR, TM-638000029IT, TM-638000029JP, TM-638000029KR, TM-638000029MY, TM-638000029PL, TM-638000029RU, TM-638000029SK, TM-638000029SP, TM-638000029TH, TM-638000029TW, TM-638000029VN, TM-638500090, TM-638500090SP

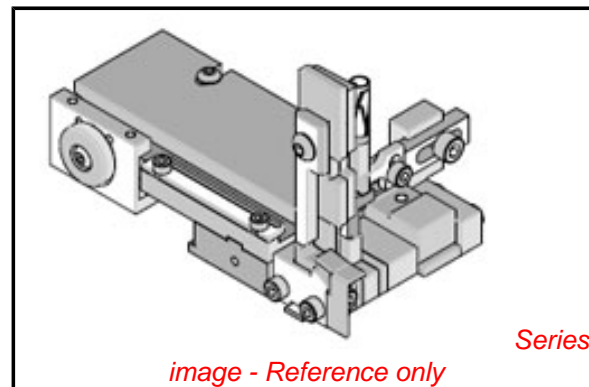


image - Reference only

EU RoHS

ELV and RoHS Compliant

REACH SVHC

Not Reviewed

Low-Halogen Status

Not Reviewed

China RoHS



Need more information on product environmental compliance?

Email productcompliance@molex.com
 For a multiple part number RoHS Certificate of Compliance, [click here](#)

Please visit the [Contact Us](#) section for any non-product compliance questions.

Search Parts in this Series

T9999Series

Use With

Mini-Fit Jr.™, Mini-Fit HCST™, and Mini-Fit Plus HCST™ Crimp Terminal 18-24 AWG 5556 , 5558 , 30490 , 44476 , 44478 , 44485

Application Tooling | **FAQ**

Description	Product #
4.20mm Pitch Mini-Fit® Crimp Terminal, Female, with Tin (Sn) over Copper (Cu) Plated Brass, 18-24 AWG, Reel	0039000038
4.20mm Pitch Mini-Fit® Crimp Terminal, Male, with Tin (Sn) over Copper (Cu) Plated Brass Contact, 18-24 AWG, Reel	0039000040
4.20mm Pitch Mini-Fit® Crimp Terminal,	0039000059

Female, Phosphor
Bronze, Tin (Sn),
18-24 AWG, Reel
4.20mm Pitch Mini- 0039000061
Fit® Crimp Terminal,
Male, Phosphor
Bronze, Tin (Sn),
18-24 AWG, Reel
4.20mm Pitch Mini- 0039000075
Fit® Crimp Terminal,
Male, Brass, Gold
(Au) Contact Plating,
Lead-free, 18-24
AWG, Reel
4.20mm Pitch Mini- 0039000120
Fit® Crimp Terminal,
Male, with Tin
(Sn) Plated Brass
Contact, 18-24 AWG,
Reel
4.20mm Pitch Mini- 0039000121
Fit® Crimp Terminal,
Male, with Tin
(Sn) Plated Brass
Contact, 18-24 AWG,
Bag
4.20mm Pitch Mini- 0039000126
Fit® Crimp Terminal,
Male, Tin (Sn),
Phosphor Bronze,
18-24 AWG, Reel
4.20mm Pitch Mini- 0039000207
Fit® Crimp Terminal,
Female, with Tin
(Sn) over Nickel (Ni),
18-24 AWG, Reel
4.20mm Pitch Mini- 0039000213
Fit® Crimp Terminal,
Female, Phosphor
Bronze, Tin (Sn),
18-24 AWG, Reel
4.20mm Pitch Mini- 0039000219
Fit® Crimp Terminal,
Male, Phosphor
Bronze, Gold (Au),
18-24 AWG, Reel
4.20mm Pitch Mini- 0039000430
Fit® Crimp Terminal,
Male, Brass, Gold
(Au) Contact Plating,
Lead-free, 18-24
AWG, Reel
Mini-Fit® Grounding 0304901002
Pin 30490, 18-24
AWG, Reel,
Phosphor Bronze ,
Tin or Select Gold
(Au)
Mini-Fit® Crimp 0304902002
Grounding Terminal,
Series 30490, Male,
with Tin (Sn) Plated
Phosphor Bronze
Contact, 18-24 AWG,
Reel

Mini-Fit® Plus HCS	0457501111
Crimp Terminal	
45750, 18-20 AWG,	
Reel, Copper (Cu)	
Alloy, Tin (Sn)	
Mini-Fit® Plus HCS	0457501211
Crimp Terminal	
45750, 18-20 AWG,	
Reel, Copper (Cu)	
Alloy, Gold (Au)	
Selective	
Mini-Fit® Plus HCS	0460121141
Crimp Terminal,	
18-20 AWG, Reel,	
Tin (Sn) Plating	
Mini-Fit® Plus HCS	0460121241
Crimp Terminal,	
18-20 AWG, Reel,	
0.76µm Gold (Au)	
Selective Plating	
Mini-Fit® Plus HMC	0460181541
(High Mating Cycle)	
Female Crimp	
Terminal, 18-20	
AWG, Reel, Select	
Gold (Au) Plating	
with Proprietary	
Molex Advanced	
Contact Surface	
Finish (CSF) in	
Contact Area	
4.20mm Pitch	0039000073
Mini-Fit® Crimp	
Terminal, Female,	
with Selective Gold	
(Au) and Selective	
Tin (Sn) over Nickel	
(Ni), 18-24 AWG,	
Reel	
4.20mm Pitch Mini-	0039000181
Fit® Crimp Terminal,	
Female, Phosphor	
Bronze, Gold (Au),	
18-24 AWG, Reel	
4.20mm Pitch	0039000428
Mini-Fit® Crimp	
Terminal, Female,	
with Selective Gold	
(Au) and Selective	
Tin (Sn) over Nickel	
(Ni), 18-24 AWG,	
Reel	

This document was generated on 04/29/2013

PLEASE CHECK WWW.MOLEX.COM FOR LATEST PART INFORMATION