

PLEASE CHECK WWW.MOLEX.COM FOR LATEST PART INFORMATION

Part Number: [63911-2500](#)
Status: **Active**
Description: T2 Terminator for Flat Blade Crimp Terminals, 18-20 AWG, UL1007 Wire

Documents:
[RoHS Certificate of Compliance \(PDF\)](#)

General

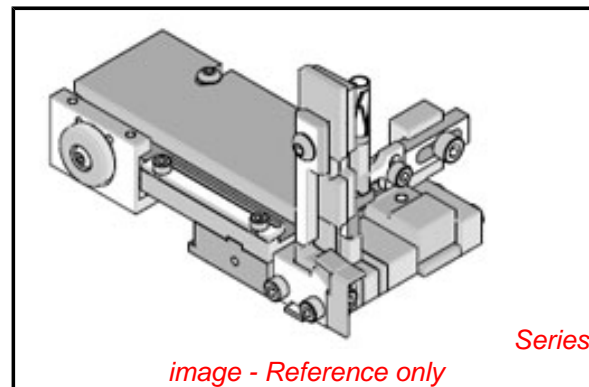
Product Family	Application Tooling
Series	T9999
Comments	See Tooling Specification (PDF) Above
Function	Crimp
Geographic Area	Global
Level of Automation	Semi-Automatic
More Detailed Tech Information	applicationtooling@molex.com
Product Name	T2
Survey	www.molex.com//review/apptool_survey.html
Tool Type	Terminator
UPC	884982020924

Material Info

Reference - Drawing Numbers

Application Tooling Documents

ATS-639112500, TM-638000029, TM-638000029CN, TM-638000029DE, TM-638000029FR, TM-638000029IT, TM-638000029JP, TM-638000029KR, TM-638000029MY, TM-638000029PL, TM-638000029RU, TM-638000029SK, TM-638000029SP, TM-638000029TH, TM-638000029TW, TM-638000029VN, TM-638500090, TM-638500090SP



EU RoHS	China RoHS
Compliance Status	
Not Reviewed	
REACH SVHC	
Not Reviewed	
Low-Halogen Status	
Not Reviewed	

Need more information on product environmental compliance?

Email productcompliance@molex.com
 For a multiple part number RoHS Certificate of Compliance, [click here](#)

Please visit the [Contact Us](#) section for any non-product compliance questions.

Search Parts in this Series
[T9999Series](#)

Use With
 Sabre™ Flat Blade Terminal [43374](#) , [43375](#)

Application Tooling Description	FAQ Product #
Sabre™ Crimp Terminal, Female, 18-20 AWG, 2.85mm max. Insulation Diameter, Reel Packaged, Tin (Sn) Plated Brass Contact, without TPA	0433742001
Sabre™ Crimp Terminal, Female, Double 18-20 AWG, 2.85mm Max. Insulation Diameter, Reel Packaged, Tin (Sn) Plated Brass Contact with TPA	0433752001

This document was generated on 04/29/2013

PLEASE CHECK WWW.MOLEX.COM FOR LATEST PART INFORMATION