

**PLEASE CHECK WWW.MOLEX.COM FOR LATEST PART INFORMATION**

**Part Number:** [63895-0900](#)  
**Status:** **Active**  
**Description:** Mini-Mac™ Applicator for CP2.8 Crimp Terminals 3.00 - 5.0mm<sup>2</sup> type ID & IR Wire

**Documents:**

[RoHS Certificate of Compliance \(PDF\)](#)

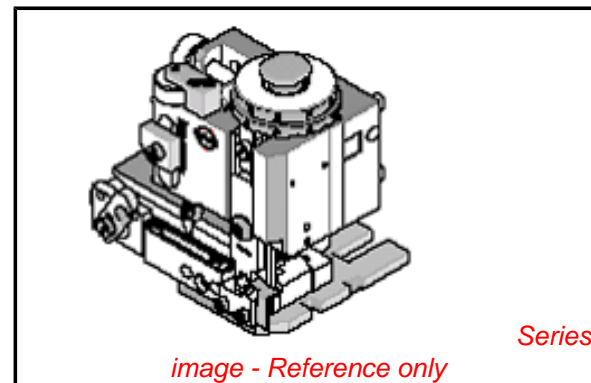
**General**

Product Family	Application Tooling
Series	T9999
Function	Crimp
Geographic Area	Global
Level of Automation	Semi-Automatic
More Detailed Tech Information	<a href="mailto:applicationtooling@molex.com">applicationtooling@molex.com</a>
Product Name	Mini-Mac™
Survey	<a href="http://www.molex.com//review/apptool_survey.html">www.molex.com//review/apptool_survey.html</a>
Tool Type	Applicator
UPC	883906740580

**Material Info**

**Reference - Drawing Numbers**

Application Tooling Documents [ATS-638950900](#), [TM-638800000](#), [TM-638800000SP](#)



**EU RoHS**

**China RoHS**

**Compliance Status**

**Not Reviewed**

**REACH SVHC**

Not Reviewed

**Low-Halogen Status**

**Not Reviewed**

**Need more information on product environmental compliance?**

Email [productcompliance@molex.com](mailto:productcompliance@molex.com)  
For a multiple part number RoHS Certificate of Compliance, [click here](#)

Please visit the [Contact Us](#) section for any non-product compliance questions.

**Search Parts in this Series**

[T9999Series](#)

**Use With**

CMC CP Female Terminal [98910](#) , [64324](#)