

PLEASE CHECK WWW.MOLEX.COM FOR LATEST PART INFORMATION

Part Number: [63895-2800](#)
Status: **Active**
Description: Mini-Mac™ Applicator for Solar Pin and Socket Crimp Terminals, 10-12 AWG and 6.00-4.00mm

Documents:
[RoHS Certificate of Compliance \(PDF\)](#)

General

Product Family	Application Tooling
Series	T9999
Comments	See Tooling Specification (PDF) Above
Function	Crimp
Geographic Area	Global
Level of Automation	Automatic, Semi-Automatic
More Detailed Tech Information	applicationtooling@molex.com
Product Name	Mini-Mac™
Survey	www.molex.com//review/apptool_survey.html
Tool Type	Applicator
UPC	884982343108

Physical

Net Weight 4876.184/g

Material Info

Reference - Drawing Numbers

Application Tooling Documents ATS-638952800

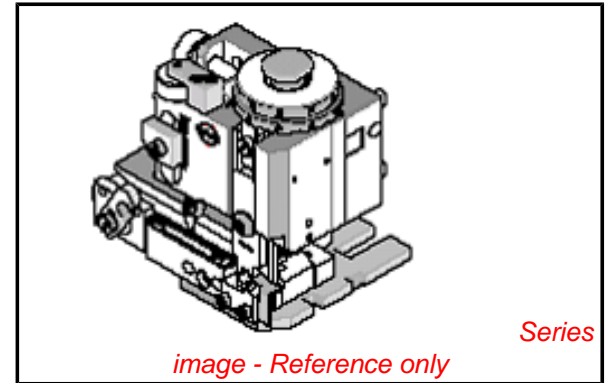


image - Reference only

EU RoHS

ELV and RoHS Compliant

REACH SVHC

Not Reviewed

Low-Halogen Status

Not Reviewed

China RoHS



Need more information on product environmental compliance?

Email productcompliance@molex.com
 For a multiple part number RoHS Certificate of Compliance, [click here](#)

Please visit the [Contact Us](#) section for any non-product compliance questions.

Search Parts in this Series

[T9999Series](#)

Use With

Solar Pin and Socket Crimp Terminal, 14 AWG and 2.50mm [130196](#) , [130197](#) , [93301](#)

Application Tooling | FAQ

Description	Product #
SolarSpec™ Pin Contact, 2.50mm² (10-12 AWG) Cable, Chain	0933020004
SolarSpec™ Socket Contact, 2.50mm² (10-12 AWG) Cable, Chain	0933030004
SolarSpec™ Pin Contact, 4.00 to 6.00mm² (10-12 AWG) Cable, Reel	1301960314
SolarSpec™ Socket Contact, 4.00 to 6.00mm² (10-12 AWG) Cable, Reel	1301970346

This document was generated on 04/25/2013

PLEASE CHECK WWW.MOLEX.COM FOR LATEST PART INFORMATION