

**PLEASE CHECK WWW.MOLEX.COM FOR LATEST PART INFORMATION**

**Part Number:** [63895-1100](#)  
**Status:** **Active**  
**Description:** Mini-Mac™ Applicator for CP2.8 Terminals, >1.00-2.00mm² ID & IR Wire

**Documents:**  
[RoHS Certificate of Compliance \(PDF\)](#)

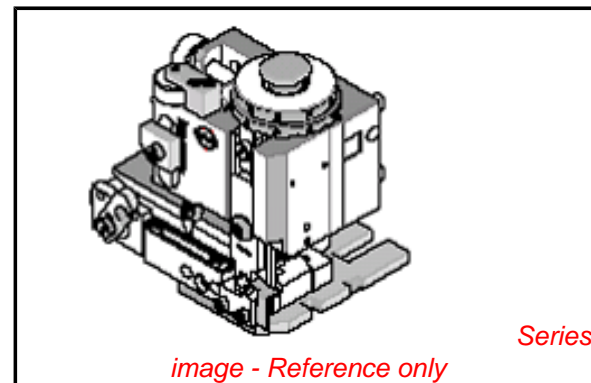
**General**

Product Family	Application Tooling
Series	T9999
Comments	See Tooling Specification (PDF) Above
Function	Crimp
Geographic Area	Global
Level of Automation	Automatic, Semi-Automatic
More Detailed Tech Information	<a href="mailto:applicationtooling@molex.com">applicationtooling@molex.com</a>
Product Name	Mini-Mac™
Survey	<a href="http://www.molex.com//review/apptool_survey.html">www.molex.com//review/apptool_survey.html</a>
Tool Type	Applicator
UPC	883906516840

**Material Info**

**Reference - Drawing Numbers**

Application Tooling Documents  
 ATS-638951100, TM-638000100, TM-638000100SP,  
 TM-638800000, TM-638800000SP



**EU RoHS**                      **China RoHS**

**Compliance Status**

**Not Reviewed**

**REACH SVHC**

**Not Reviewed**

**Low-Halogen Status**

**Not Reviewed**

**Need more information on product environmental compliance?**

Email [productcompliance@molex.com](mailto:productcompliance@molex.com)  
 For a multiple part number RoHS Certificate of Compliance, [click here](#)

Please visit the [Contact Us](#) section for any non-product compliance questions.

**Search Parts in this Series**

T9999Series

**Use With**

Molex TM-3000™, 63801-7200 ,  
 63801-7300 , Molex TM-2000™,  
 63800-8300 , 63800-8400 , most Industry  
 Standard Presses, or Wire Process  
 Machines. CP2.8 Terminals [98910](#) , [64324](#)

**Application Tooling** | **FAQ**  
**Description**                      **Product #**

2.80mm , CMC CP Female Terminal, Tin plated, for Tab Dimensions 2.8mm x 0.8mm , Wire Size > 1mm² - 2mm²	0643241039
2.80mm , CMC CP Female Terminal, Tin plated; Selective 1.27µm Gold in Contact Area, for Tab Dimensions 2.8mm x 0.8mm ,	0643241139

Wire Size >1mm<sup>2</sup> to  
2mm<sup>2</sup>

This document was generated on 04/25/2013

**PLEASE CHECK [WWW.MOLEX.COM](http://WWW.MOLEX.COM) FOR LATEST PART INFORMATION**