

PLEASE CHECK WWW.MOLEX.COM FOR LATEST PART INFORMATION

Part Number: [63895-0400](#)
Status: **Active**
Description: Mini-Mac™ Applicator for Crimp Terminals

Documents:
[RoHS Certificate of Compliance \(PDF\)](#)

General

Product Family	Application Tooling
Series	T1101
Comments	See Tooling Specification (PDF) Above
Function	Crimp
Geographic Area	Global
Level of Automation	Automatic, Semi-Automatic
More Detailed Tech Information	applicationtooling@molex.com
Product Name	Mini-Mac™
Survey	www.molex.com//review/apptool_survey.html
Tool Type	Applicator
UPC	883906513146

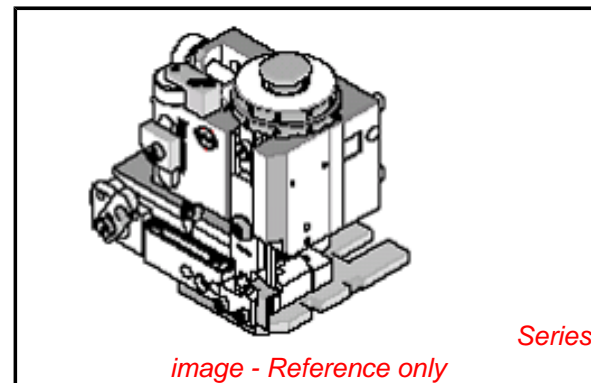
Physical

Net Weight 4890.929/g

Material Info

Reference - Drawing Numbers

Application Tooling Documents [ATS-638950400](#), [TM-638800000](#), [TM-638800000SP](#)



EU RoHS

ELV and RoHS Compliant

REACH SVHC

Not Reviewed

Low-Halogen Status

Not Reviewed

China RoHS



Need more information on product environmental compliance?

Email productcompliance@molex.com
 For a multiple part number RoHS Certificate of Compliance, [click here](#)

Please visit the [Contact Us](#) section for any non-product compliance questions.

Search Parts in this Series

[T1101Series](#)

Use With

Molex TM-3000™, 63801-7200 , 63801-7300 , Molex TM-2000™, 63800-8300 , 63800-8400 , most Industry Standard Presses, or Wire Process Machines. MX150L™ Terminals [19431](#) , [19434](#)

Application Tooling | FAQ

Description	Product #
MX150L™ Male Terminal for 10-12 AWG Wire, Metal Strip Carrier	0194310001
MX150L™ Female Terminal for 10-12 AWG Wire, Metal Strip Carrier	0194340001

PLEASE CHECK WWW.MOLEX.COM FOR LATEST PART INFORMATION