

PLEASE CHECK WWW.MOLEX.COM FOR LATEST PART INFORMATION

Part Number: [63893-8000](#)
Status: **Active**
Description: Mini-Mac™ Applicator

Documents:
[RoHS Certificate of Compliance \(PDF\)](#)

General

Product Family	Application Tooling
Series	T9999
Comments	See Tooling Specification (PDF) Above
Function	Crimp
Geographic Area	Global
Level of Automation	Automatic, Semi-Automatic
More Detailed Tech Information	applicationtooling@molex.com
Product Name	Mini-Mac™
Survey	www.molex.com//review/apptool_survey.html
Tool Type	Applicator
UPC	800756656403

Physical

Net Weight 0.010/mg

Material Info

Reference - Drawing Numbers

Application Tooling Documents [ATS-638938000](#), [TM-638000100](#), [TM-638000100SP](#)

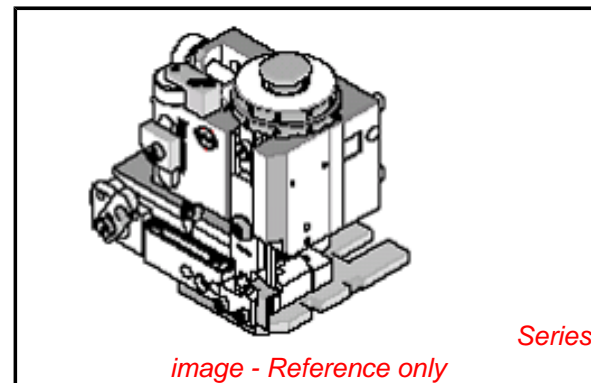


image - Reference only

EU RoHS **China RoHS**

Compliance Status

Not Reviewed

REACH SVHC

Not Reviewed

Low-Halogen Status

Not Reviewed

Need more information on product environmental compliance?

Email productcompliance@molex.com
 For a multiple part number RoHS Certificate of Compliance, [click here](#)

Please visit the [Contact Us](#) section for any non-product compliance questions.

Search Parts in this Series

[T9999Series](#)

Use With

Molex TM-3000™, 63801-7200 , 63801-7300. Molex TM-2000™, 63800-8300 , 63800-8400 , most Industry Standard Presses or Wire Process Machines

Application Tooling | [FAQ](#)

Description	Product #
--------------------	------------------

Board-In Crimp Terminal, Series 42001, Male with Tin Terminal Progression	0040080605
---	------------

PLEASE CHECK WWW.MOLEX.COM FOR LATEST PART INFORMATION