

**PLEASE CHECK WWW.MOLEX.COM FOR LATEST PART INFORMATION**

**Part Number:** [63892-9000](#)  
**Status:** **Active**  
**Description:** Mini-Mac™ Applicator for Disk Drive Power Connector System, Female 14-20 AWG

**Documents:**  
[RoHS Certificate of Compliance \(PDF\)](#)

**General**

|                                |  |
|--------------------------------|--|
| Product Family                 | Application Tooling  |
| Series                         | T9999  |
| Comments                       | See Tooling Specification (PDF) Above  |
| Function                       | Crimp  |
| Geographic Area                | Global   |
| Level of Automation            | Semi-Automatic   |
| More Detailed Tech Information | <a href="mailto:applicationtooling@molex.com">applicationtooling@molex.com</a>                           |
| Product Name                   | Mini-Mac™  |
| Survey                         | <a href="http://www.molex.com//review/apptool_survey.html">www.molex.com//review/apptool_survey.html</a> |
| Tool Type                      | Mini-Mac Applicator  |
| UPC                            | 800756656991   |

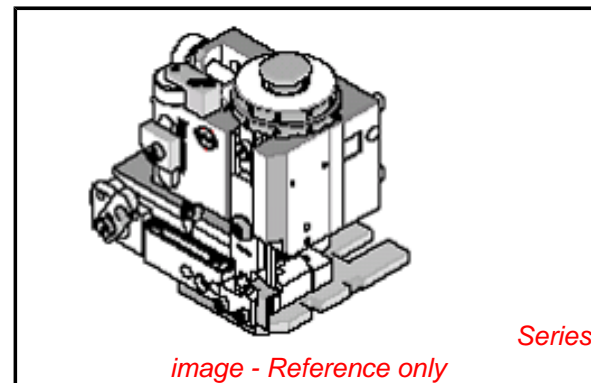
**Physical**

Net Weight 4773.932/g

**Material Info**

**Reference - Drawing Numbers**

Application Tooling Documents [ATS-638929000](#), [TM-638000100](#), [TM-638000100SP](#)



**EU RoHS**

**ELV and RoHS Compliant**  
**REACH SVHC**  
 Not Reviewed  
**Low-Halogen Status**  
 Not Reviewed

**China RoHS**



**Need more information on product environmental compliance?**

Email [productcompliance@molex.com](mailto:productcompliance@molex.com)  
 For a multiple part number RoHS Certificate of Compliance, [click here](#)

Please visit the [Contact Us](#) section for any non-product compliance questions.

**Search Parts in this Series**

[T9999Series](#)

**Use With**

Molex TM-3000™, [63801-7200](#), [63801-7300](#), Molex TM-2000™, [63800-8300](#), [63800-8400](#), most Industry Standard Presses or Wire Process Machines

**Application Tooling | FAQ**

| Description   | Product #  |
|---|------------|
| Disk Drive Power Connection System, Female Crimp Terminal, Reel, Phosphor Bronze, AWG 14-20 | 0002081201 |