

**PLEASE CHECK WWW.MOLEX.COM FOR LATEST PART INFORMATION**

**Part Number:** [63892-8000](#)  
**Status:** **Active**  
**Description:** Mini-Mac™ Applicator

**Documents:**  
[RoHS Certificate of Compliance \(PDF\)](#)

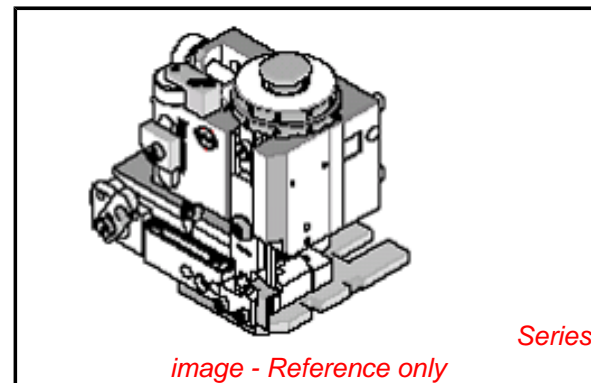
**General**

Product Family	Application Tooling
Series	T9999
Comments	See Tooling Specification (PDF) Above
Function	Crimp
Geographic Area	Global
Level of Automation	Automatic, Semi-Automatic
More Detailed Tech Information	<a href="mailto:applicationtooling@molex.com">applicationtooling@molex.com</a>
Product Name	Mini-Mac™
Survey	<a href="http://www.molex.com//review/apptool_survey.html">www.molex.com//review/apptool_survey.html</a>
Tool Type	Applicator
UPC	800756657004

**Material Info**

**Reference - Drawing Numbers**

Application Tooling Documents ATS-638928000, TM-638000100, TM-638000100SP



**EU RoHS** **China RoHS**

**Compliance Status**

**Not Reviewed**

**REACH SVHC**

**Not Reviewed**

**Low-Halogen Status**

**Not Reviewed**

**Need more information on product environmental compliance?**

Email [productcompliance@molex.com](mailto:productcompliance@molex.com)  
 For a multiple part number RoHS Certificate of Compliance, [click here](#)

Please visit the [Contact Us](#) section for any non-product compliance questions.

**Search Parts in this Series**

T9999Series

**Use With**

Molex TM-3000™, 63801-7200 , 63801-7300. Molex TM-2000™, 63800-8300 , 63800-8400 , most Industry Standard Presses or Wire Process Machines

**Application Tooling** | **FAQ**

Description	Product #
-------------	-----------

3.18mm Diameter HCS-125 Pin and Socket Crimp Terminal, Series 2047, Female with Tin (Sn) Plated Brass Contact, 16-18 AWG, Reel	0018121221
3.18mm Diameter HCS-125 Pin and Socket Crimp Terminal, Series 2046, Male, with Tin (Sn) Plated Brass	0018122221

This document was generated on 04/25/2013

**PLEASE CHECK [WWW.MOLEX.COM](http://WWW.MOLEX.COM) FOR LATEST PART INFORMATION**