

PLEASE CHECK WWW.MOLEX.COM FOR LATEST PART INFORMATION

Part Number: [63892-7100](#)
Status: **Active**
Description: Mini-Mac™ Applicator

Documents:

[RoHS Certificate of Compliance \(PDF\)](#)

General

Product Family	Application Tooling
Series	T9999
Comments	<p style="margin-top: 0; margin-bottom: 0">See Tooling Specification (PDF) Above <p style="margin-top: 0; margin-bottom: 0">This applicator is for 1.65-2.79mm wire insulation diameters<p style="margin-t
Function	Crimp
Geographic Area	Global
Level of Automation	Automatic, Semi-Automatic
More Detailed Tech Information	applicationtooling@molex.com
Product Name	Mini-Mac™
Survey	www.molex.com//review/apptool_survey.html
Tool Type	Applicator
UPC	800756656922

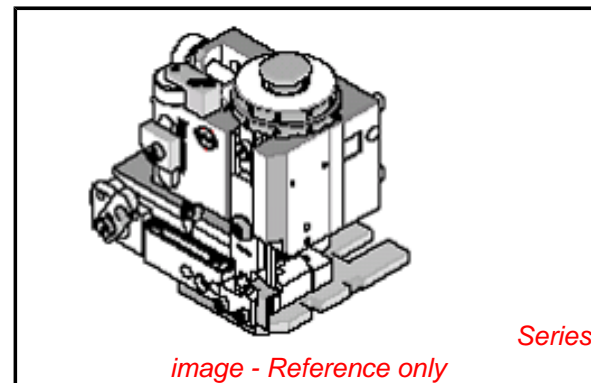
Physical

Net Weight 4818.905/g

Material Info

Reference - Drawing Numbers

Application Tooling Documents
 ATS-638927100, ATS638927100, TM-638000100, TM-638000100SP



EU RoHS

ELV and RoHS Compliant

REACH SVHC

Not Reviewed

Low-Halogen Status

Not Reviewed

China RoHS



Need more information on product environmental compliance?

Email productcompliance@molex.com
 For a multiple part number RoHS Certificate of Compliance, [click here](#)

Please visit the [Contact Us](#) section for any non-product compliance questions.

Search Parts in this Series

[T9999Series](#)

Use With

Molex TM-3000™, 63801-7200 , 63801-7300. Molex TM-2000™, 63800-8300 , 63800-8400 , most Industry Standard Presses or Wire Process Machines

Application Tooling | FAQ

Description	Product #
2.36mm Diameter, Standard .093" Pin and Socket Crimp Terminal, Series 4550, Female, with Tin (Sn) Plated Phosphor Bronze Contact, 14-20 AWG, Reel	0002091205
2.36mm Diameter, Standard .093" Pin and Socket Crimp Terminal, Series 1190, Male, with Tin	0002092101

(Sn) Plated Brass
Contact, 14-20 AWG,
Reel
2.36mm Diameter, 0002098108
Standard .093" Pin
and Socket Crimp
Grounding Terminal,
Series 1973, Male,
with Tin (Sn) Plated
Brass Contact, 14-18
AWG, Reel
2.36mm Diameter, 0039000281
Standard .093" Pin
and Socket Crimp
Terminal, Series
1189, Female,
with Tin (Sn) over
Copper Plated Brass
Contact, 14-20 AWG,
Reel
2.36mm Diameter, 0039000282
Standard .093" Pin
and Socket Crimp
Terminal, Series
1189, Female,
with Tin (Sn) over
Copper Plated Brass
Contact, 14-20 AWG,
Reel, with Dimple
2.36mm Diameter, 0039000296
Standard .093"
Pin and Socket
Crimp Terminal,
Series 1190, Male,
with Tin (Sn) over
Copper Plated Brass
Contact, 14-20 AWG,
Reel
2.36mm Diameter, 0002095102
Standard .093" Pin
and Socket Crimp
Terminal, Series
1189, Female, with
Selective Gold
(Au) Plated Brass
Contact, 14-20 AWG,
Reel
2.36mm Diameter, 0002091102
Standard .093" Pin
and Socket Crimp
Terminal, Series
1189, Female, with
Tin (Sn) Plated Brass
Contact, 14-20 AWG,
Reel
2.36mm Diameter, 0002096100
Standard .093" Pin
and Socket Crimp
Terminal, Series
1190, Male, with
Gold (Au) Plated
Brass Contact, 14-20
AWG, Reel
2.36mm Diameter, 0002095100
Standard .093" Pin

and Socket Crimp
Terminal, Series
1189, Female, with
Gold (Au) Plated
Brass Contact, 14-20
AWG, Reel
2.36mm Diameter, 0002096101
Standard .093" Pin
and Socket Crimp
Terminal, Series
1190, Male, with
Selective Gold
(Au) Plated Brass
Contact, 14-20 AWG,
Reel
2.36mm Diameter, 0002095169
Standard .093" Pin
and Socket Crimp
Terminal, Series
4550, Female, with
Gold (Au) Plated
Phosphor Bronze
Contact, 14-20 AWG,
Reel

This document was generated on 04/25/2013

PLEASE CHECK WWW.MOLEX.COM FOR LATEST PART INFORMATION