

PLEASE CHECK WWW.MOLEX.COM FOR LATEST PART INFORMATION

Part Number: [63892-7000](#)
Status: **Active**
Description: Mini-Mac™ Applicator

Documents:
[RoHS Certificate of Compliance \(PDF\)](#)

General

Product Family	Application Tooling
Series	T9999
Comments	See Tooling Specification (PDF) Above
Function	Crimp
Geographic Area	Global
Level of Automation	Automatic, Semi-Automatic
More Detailed Tech Information	applicationtooling@molex.com
Product Name	Mini-Mac™
Survey	www.molex.com//review/apptool_survey.html
Tool Type	Applicator
UPC	800756656915

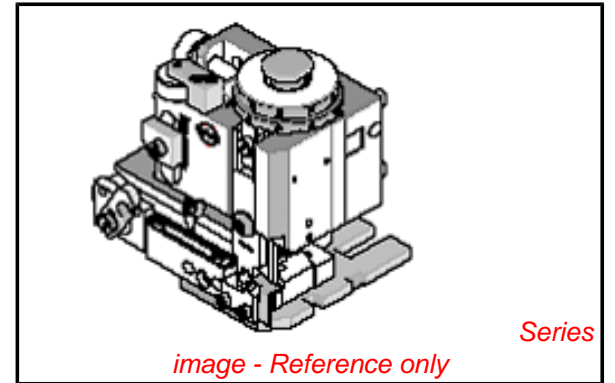
Physical

Net Weight 4817.965/g

Material Info

Reference - Drawing Numbers

Application Tooling Documents [ATS-638927000](#), [TM-638000100](#), [TM-638000100SP](#)



EU RoHS

**ELV and RoHS
Compliant**

REACH SVHC

Not Reviewed

Low-Halogen Status

Not Reviewed

China RoHS



**Need more information on product
environmental compliance?**

Email productcompliance@molex.com
 For a multiple part number RoHS Certificate of
 Compliance, [click here](#)

Please visit the [Contact Us](#) section for any
 non-product compliance questions.

Search Parts in this Series

[T9999Series](#)

Use With

Molex TM-3000™, [63801-7200](#) ,
[63801-7300](#) . Molex TM-2000™, [63800-8300](#)
 , [63800-8400](#) , most Industry Standard
 Presses or Wire Process Machines

Application Tooling | FAQ

Description	Product #
2.36mm Diameter, Standard .093" Pin and Socket Crimp Terminal, Series 1380, Male, with Tin (Sn) over Copper Plated Brass Contact, 18-24 AWG, Reel	0039000283
2.36mm Diameter, Standard .093" Pin and Socket Crimp Terminal, Series 1381, Female, with	0002091117

Tin (Sn) Plated Brass Contact, 18-22 AWG, Reel 2.36mm Diameter, Standard .093" Pin and Socket Crimp Terminal, Series 1380, Male, with Tin (Sn) Plated Brass Contact, 18-22 AWG, Reel 2.36mm Diameter, Standard .093" Pin and Socket Crimp Terminal, Series 1381, Female, with Tin (Sn) over Copper Plated Brass Contact, 18-24 AWG, Reel, with Dimple 2.36mm Diameter, Standard .093" Pin and Socket Crimp Terminal, Series 1381, Female, with Tin (Sn) over Copper Plated Brass Contact, 18-24 AWG, Reel 2.36mm Diameter, Standard .093" Pin and Socket Crimp Terminal, Series 1380, Male, with Gold (Au) Plated Brass Contact, 18-22 AWG, Reel 2.36mm Diameter, Standard .093" Pin and Socket Crimp Terminal, Series 1380, Male, with Selective Gold (Au) Plated Brass Contact, 18-22 AWG, Reel 2.36mm Diameter, Standard .093" Pin and Socket Crimp Terminal, Series 2273, Female, with Tin (Sn) Plated Contact, Low Engagement Force, 18-22 AWG, Reel 2.36mm Diameter, Standard .093" Pin and Socket Crimp Terminal, Series 1381, Female, with Gold (Au) Plated Brass Contact, 18-22 AWG, Reel 2.36mm Diameter, Standard .093" Pin	0002092116 0039000285 0039000284 0002096122 0002096125 0002091122 0002095143 0002095130
----------------------------------------------------------------------------------------------------------------------------------------------------------------------------------------------------------------------------------------------------------------------------------------------------------------------------------------------------------------------------------------------------------------------------------------------------------------------------------------------------------------------------------------------------------------------------------------------------------------------------------------------------------------------------------------------------------------------------------------------------------------------------------------------------------------------------------------------------------------------------------------------------------------------------------------------------------------------------------------------------------------------------------------------------------------------------------------------------------------------------------------------------------------------------------------------------------------------------------------------------------------------------------------------------------------------------------------	--------------------------------------------------------------------------------------------------------------

and Socket Crimp
Terminal, Series
1381, Female, with
Selective Gold
(Au) Plated Brass
Contact, 18-22 AWG,
Reel

This document was generated on 04/25/2013

PLEASE CHECK WWW.MOLEX.COM FOR LATEST PART INFORMATION