

**PLEASE CHECK WWW.MOLEX.COM FOR LATEST PART INFORMATION**

**Part Number:** [63891-6100](#)  
**Status:** **Active**  
**Description:** Mini-Mac™ Applicator

**Documents:**  
[RoHS Certificate of Compliance \(PDF\)](#)

**General**

Product Family	Application Tooling
Series	T9999
Comments	<p style="margin-top: 0; margin-bottom: 0">For Standard 4.80mm wide insulation crimp</li> <li><p style="margin-top: 0; margin-bottom: 0">See Tooling Specification (PDF) Above</li></ul>
Function	Crimp
Geographic Area	Global
Level of Automation	Automatic, Semi-Automatic
More Detailed Tech Information	<a href="mailto:applicationtooling@molex.com">applicationtooling@molex.com</a>
Product Name	Mini-Mac™
Survey	<a href="http://www.molex.com//review/apptool_survey.html">www.molex.com//review/apptool_survey.html</a>
Tool Type	Applicator
UPC	800756656120

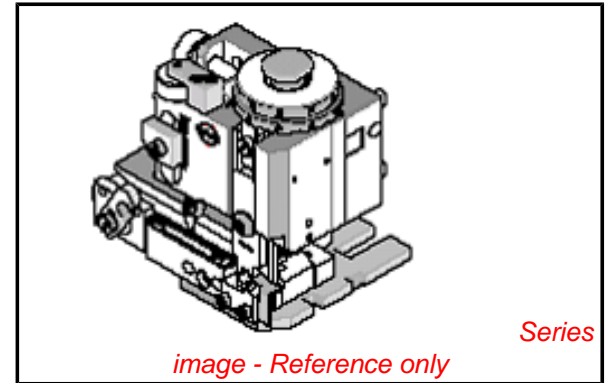
**Physical**

Net Weight 4869.730/g

**Material Info**

**Reference - Drawing Numbers**

Application Tooling Documents [ATS-638916100](#), [TM-638000100](#), [TM-638000100SP](#)



*image - Reference only*

**EU RoHS**

**ELV and RoHS Compliant**

**REACH SVHC**

Not Reviewed

**Low-Halogen Status**

**Not Reviewed**

**China RoHS**



**Need more information on product environmental compliance?**

Email [productcompliance@molex.com](mailto:productcompliance@molex.com)  
 For a multiple part number RoHS Certificate of Compliance, [click here](#)

Please visit the [Contact Us](#) section for any non-product compliance questions.

**Search Parts in this Series**

[T9999Series](#)

**Use With**

Molex TM-3000™, [63801-7200](#), [63801-7300](#), Molex TM-2000™, [63800-8300](#), [63800-8400](#), most Industry Standard Presses or Wire Process Machines

**Application Tooling | FAQ**

<b>Description</b>	<b>Product #</b>
--------------------	------------------

Sabre™ Crimp Terminal, Female, Double 18 AWG, 4.57mm Max. Insulation Diameter, Reel Packaged, Tin (Sn) Plated Brass Contact with TPA	0433751001
--	------------