

**PLEASE CHECK WWW.MOLEX.COM FOR LATEST PART INFORMATION**

**Part Number:** [63891-4100](#)  
**Status:** **Active**  
**Description:** Mini-Mac™ Applicator

**Documents:**

[RoHS Certificate of Compliance \(PDF\)](#)

**General**

Product Family	Application Tooling
Series	T9999
Comments	See Tooling Specification (PDF) Above
Function	Crimp
Geographic Area	Global
Level of Automation	Automatic, Semi-Automatic
More Detailed Tech Information	<a href="mailto:applicationtooling@molex.com">applicationtooling@molex.com</a>
Product Name	Mini-Mac™
Survey	<a href="http://www.molex.com//review/apptool_survey.html">www.molex.com//review/apptool_survey.html</a>
Tool Type	Applicator
UPC	800756656083

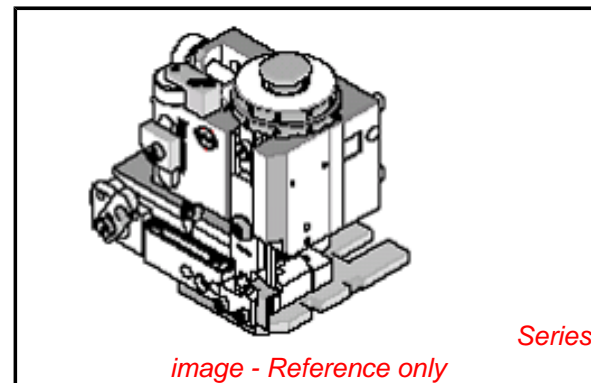
**Physical**

Net Weight 4805.091/g

**Material Info**

**Reference - Drawing Numbers**

Application Tooling Documents [ATS-638914100](#), [TM-638000100](#), [TM-638000100SP](#)



**EU RoHS**

**ELV and RoHS  
Compliant**

**REACH SVHC**

Not Reviewed

**Low-Halogen Status**

Not Reviewed

**China RoHS**



**Need more information on product  
environmental compliance?**

Email [productcompliance@molex.com](mailto:productcompliance@molex.com)  
 For a multiple part number RoHS Certificate of  
 Compliance, [click here](#)

Please visit the [Contact Us](#) section for any  
 non-product compliance questions.

**Search Parts in this Series**

[T9999Series](#)

**Use With**

Molex TM-3000™, [63801-7200](#) ,  
[63801-7300](#) . Molex TM-2000™, [63800-8300](#)  
 , [63800-8400](#) , most Industry Standard  
 Presses or Wire Process Machines

**Application Tooling | FAQ**

Description	Product #
1.57mm Diameter, Standard .062" Pin and Socket Crimp Terminal, Series 1855, Female, with Tin (Sn) Plated Brass Contact, 24-30 AWG, Reel	0002061131
1.57mm Diameter, Standard .062" Pin and Socket Crimp Terminal, Series 1854, 3.68mm Pitch, Male, Tin (Sn) Plated	0039000280

Brass Contact, 22-28  
AWG, Reel  
1.57mm Diameter, 0039000336  
Standard .062" Pin  
and Socket Crimp  
Terminal, Series  
1854, 3.68mm  
Pitch, Male, Gold  
(Au) Plated Brass  
Contact, 22-28 AWG,  
Reel  
1.57mm Diameter, 0039000338  
Standard .062" Pin  
and Socket Crimp  
Terminal, Series  
1855, 3.68mm  
Pitch, Female, Tin  
(Sn) Plated Brass  
Contact, 22-28 AWG,  
Reel  
1.57mm Diameter, 0039000340  
Standard .062" Pin  
and Socket Crimp  
Terminal, 3.68mm  
Pitch, Female, Gold  
(Au) Plated Brass  
Contact, 22-28 AWG,  
Reel  
1.57mm Diameter, 0002066143  
Standard .062" Pin  
and Socket Crimp  
Terminal, Series  
1854, Male, with  
Selective Gold  
(Au) Plated Brass  
Contact, Tin (Sn)  
Plated Crimp Area,  
24-30 AWG, Reel  
1.57mm Diameter, 0002062131  
Standard .062" Pin  
and Socket Crimp  
Terminal, Series  
1854, Male, with Tin  
(Sn) Plated Brass  
Contact, 24-30 AWG,  
Reel  
1.57mm Diameter, 0002066138  
Standard .062" Pin  
and Socket Crimp  
Terminal, Series  
1854, Male, with  
Selective Gold  
(Au) Plated Brass  
Contact, 24-30 AWG,  
Reel  
1.57mm Diameter, 0002065138  
Standard .062" Pin  
and Socket Crimp  
Terminal, Series  
1855, Female,  
with 0.76 $\mu$ m Gold  
(Au) Plated Brass  
Contact, 24-30 AWG,  
Reel

1.57mm Diameter, 0002065147  
Standard .062" Pin  
and Socket Crimp  
Terminal, Series  
1855, Female, with  
Selective Gold  
(Au) Plated Brass  
Contact, 24-30 AWG,  
Reel

1.57mm Diameter, 0002066130  
Standard .062" Pin  
and Socket Crimp  
Terminal, Series  
1854, Male, with  
Gold (Au) Plated  
Brass Contact, 24-30  
AWG, Reel

1.57mm Diameter, 0002065130  
Standard .062" Pin  
and Socket Crimp  
Terminal, Series  
1855, Female,  
with 0.38 $\mu$ m Gold  
(Au) Plated Brass  
Contact, 24-30 AWG,  
Reel

This document was generated on 04/25/2013

**PLEASE CHECK [WWW.MOLEX.COM](http://WWW.MOLEX.COM) FOR LATEST PART INFORMATION**