

PLEASE CHECK WWW.MOLEX.COM FOR LATEST PART INFORMATION

Part Number: [63891-4000](#)
Status: **Active**
Description: Mini-Mac™ Applicator

Documents:
[RoHS Certificate of Compliance \(PDF\)](#)

General

| | |
|--------------------------------|--|
| Product Family | Application Tooling |
| Series | T9999 |
| Comments | See Tooling Specification (PDF) Above |
| Function | Crimp |
| Geographic Area | Global |
| Level of Automation | Automatic, Semi-Automatic |
| More Detailed Tech Information | applicationtooling@molex.com |
| Product Name | Mini-Mac™ |
| Survey | www.molex.com//review/apptool_survey.html |
| Tool Type | Applicator |
| UPC | 800756656076 |

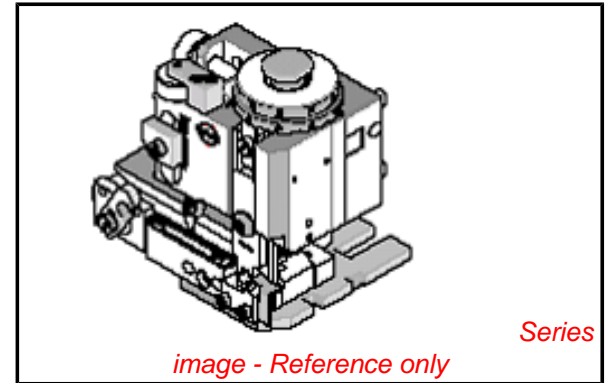
Physical

Net Weight 4808.161/g

Material Info

Reference - Drawing Numbers

Application Tooling Documents [ATS-638914000](#), [TM-638000100](#), [TM-638000100SP](#)



EU RoHS

**ELV and RoHS
Compliant**

REACH SVHC

Not Reviewed

Low-Halogen Status

Not Reviewed

China RoHS



**Need more information on product
environmental compliance?**

Email productcompliance@molex.com
 For a multiple part number RoHS Certificate of
 Compliance, [click here](#)

Please visit the [Contact Us](#) section for any
 non-product compliance questions.

Search Parts in this Series

[T9999Series](#)

Use With

Molex TM-3000™, [63801-7200](#) ,
[63801-7300](#) . Molex TM-2000™, [63800-8300](#)
 , [63800-8400](#) , most Industry Standard
 Presses or Wire Process Machines

Application Tooling | [FAQ](#)

| Description | Product # |
|--|------------|
| 1.57mm Diameter, Standard .062" Pin and Socket Crimp Terminal, Series 1560, Male, with Tin (Sn) Plated Brass Contact, 18-24 AWG, Reel | 0039000278 |
| 1.57mm Diameter, Standard .062" Pin and Socket Crimp Terminal, Series 1561, 3.68mm Pitch, Female, Tin | 0039000279 |

(Sn) Plated Brass
Contact, 18-24 AWG,
Reel
1.57mm Diameter, 0039000280
Standard .062" Pin
and Socket Crimp
Terminal, Series
1854, 3.68mm Pitch,
Male, Tin (Sn) Plated
Brass Contact, 22-28
AWG, Reel
1.57mm Diameter, 0039000329
Standard .062" Pin
and Socket Crimp
Terminal, Series
1560, Male, with
Gold (Au) over
Nickel Plated Brass
Contact, 18-24 AWG,
Reel
1.57mm Diameter, 0039000333
Standard .062" Pin
and Socket Crimp
Terminal, 3.68mm
Pitch, Female, Gold
(Au) over Nickel
(Ni) Plated Brass
Contact, Reel
1.57mm Diameter, 0039000336
Standard .062" Pin
and Socket Crimp
Terminal, Series
1854, 3.68mm
Pitch, Male, Gold
(Au) Plated Brass
Contact, 22-28 AWG,
Reel
1.57mm Diameter, 0039000338
Standard .062" Pin
and Socket Crimp
Terminal, Series
1855, 3.68mm
Pitch, Female, Tin
(Sn) Plated Brass
Contact, 22-28 AWG,
Reel
1.57mm Diameter, 0039000340
Standard .062" Pin
and Socket Crimp
Terminal, 3.68mm
Pitch, Female, Gold
(Au) Plated Brass
Contact, 22-28 AWG,
Reel
1.57mm Diameter, 0002062101
Standard .062" Pin
and Socket Crimp
Terminal, Series
1560, Male, with Tin
(Sn) Plated Brass
Contact, 18-24 AWG,
Reel
1.57mm Diameter, 0002061101
Standard .062" Pin
and Socket Crimp

Terminal, Female,
with Tin (Sn) Plated
Brass Contact, 18-24
AWG, Reel
1.57mm Diameter, 0002065105
Standard .062" Pin
and Socket Crimp
Terminal, Series
1561, Female, with
1.27µm Gold Max.
Insulation Diameter,
Reel
1.57mm Diameter, 0002065108
Standard .062" Pin
and Socket Crimp
Terminal, Female,
with Selective Gold
(Au) Plated Brass
Contact, 18-24 AWG,
Reel
1.57mm Diameter, 0002066100
Standard .062" Pin
and Socket Crimp
Terminal, Series
1560, Male, with
Gold (Au) Plated
Brass Contact, 18-24
AWG, Reel
1.57mm Diameter, 0002065100
Standard .062" Pin
and Socket Crimp
Terminal, Female,
with 0.38µm Gold
(Au) Plated Brass
Contact, 18-24 AWG,
Reel
1.57mm Diameter, 0002066118
Standard .062" Pin
and Socket Crimp
Terminal, Series
1560, Male, with
Selective Gold
(Au) Plated Brass
Contact, Tin/Lead
Plated Crimp Area,
18-24 AWG, Reel
1.57mm Diameter, 0002066101
Standard .062"
Pin and Socket
Crimp Terminal,
Series 1560, Male,
with .76µm Selective
Gold (Au) Plated
Brass Contact,
18-24 AWG, Reel
Packaged
1.57mm Diameter, 0002065101
Standard .062" Pin
and Socket Crimp
Terminal, Female,
with 0.76µm Gold
(Au) Plated Brass
Contact, 18-24 AWG,
Reel

This document was generated on 04/25/2013

PLEASE CHECK WWW.MOLEX.COM FOR LATEST PART INFORMATION