

PLEASE CHECK WWW.MOLEX.COM FOR LATEST PART INFORMATION

Part Number: [63891-3000](#)
Status: **Active**
Description: Mini-Mac™ Applicator

Documents:
[RoHS Certificate of Compliance \(PDF\)](#)

General

Product Family	Application Tooling
Series	T9999
Comments	See Tooling Specification (PDF) Above
Function	Crimp
Geographic Area	Global
Level of Automation	Automatic, Semi-Automatic
More Detailed Tech Information	applicationtooling@molex.com
Product Name	Mini-Mac™
Survey	www.molex.com//review/apptool_survey.html
Tool Type	Applicator
UPC	800756656038

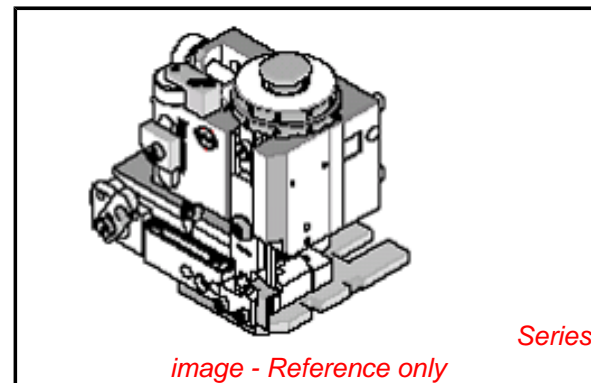
Physical

Net Weight 4802.284/g

Material Info

Reference - Drawing Numbers

Application Tooling Documents [ATS-638913000](#), [TM-638000100](#), [TM-638000100SP](#)



EU RoHS

ELV and RoHS Compliant

REACH SVHC

Not Reviewed

Low-Halogen Status

Not Reviewed

China RoHS



Need more information on product environmental compliance?

Email productcompliance@molex.com
 For a multiple part number RoHS Certificate of Compliance, [click here](#)

Please visit the [Contact Us](#) section for any non-product compliance questions.

Search Parts in this Series

[T9999Series](#)

Use With

Molex TM-3000™, [63801-7200](#), [63801-7300](#), Molex TM-2000™, [63800-8300](#), [63800-8400](#), most Industry Standard Presses or Wire Process Machines

Application Tooling | FAQ

Description	Product #
Panel Grounding Clip Crimp Terminal 42172, 16-18 AWG, 301 Stainless Steel, 0.89mm Panel Thickness, 0.20mm Dimension F	0040062003
Panel Grounding Clip Crimp Terminal 42172, 16-18 AWG, 301 Stainless Steel, 1.27mm Panel Thickness	0040062005

Panel Grounding Clip Crimp Terminal 42172, 16-18 AWG, 301 Stainless Steel, 1.91mm Panel Thickness	0040062013
Panel Grounding Clip Crimp Terminal 42172, 14 AWG, 301 Stainless Steel, 0.89mm Panel Thickness	0040062014
Panel Grounding Clip Crimp Terminal 42172, 14 AWG, 301 Stainless Steel, 1.27mm Panel Thickness	0040062015
Panel Grounding Clip Crimp Terminal 42172, 16-18 AWG, Reel, 301 Stainless Steel, 0.76mm Panel Thickness	0040062017
Panel Grounding Clip Crimp Terminal 42172, 16-18 AWG, 301 Stainless Steel, 0.89mm Panel Thickness, 0.10mm Dimension F	0040062024

This document was generated on 04/25/2013

PLEASE CHECK WWW.MOLEX.COM FOR LATEST PART INFORMATION