

PLEASE CHECK WWW.MOLEX.COM FOR LATEST PART INFORMATION

Part Number: [63888-5000](#)
Status: **Active**
Description: Mini-Mac Applicator for KK® and Trifurcon™ Crimp Terminals

Documents:

[RoHS Certificate of Compliance \(PDF\)](#)

General

Product Family	Application Tooling
Series	T9999
Comments	See Tooling Specification (PDF) Above
Function	Crimp
Geographic Area	Global
Level of Automation	Semi-Automatic
More Detailed Tech Information	applicationtooling@molex.com
Product Name	FineAdjust™
Survey	www.molex.com//review/apptool_survey.html
Tool Type	Applicator
UPC	887191272238

Physical

Net Weight 4815.002/g

Material Info

Reference - Drawing Numbers

Application Tooling Documents

ATS-638885000, TM-638800000, TM-638800000SP, TM-640160065, TM-640160065CN, TM-640160065DE, TM-640160065FR, TM-640160065IT, TM-640160065JP, TM-640160065KR, TM-640160065MY, TM-640160065PL, TM-640160065RU, TM-640160065SK, TM-640160065SP, TM-640160065TH, TM-640160065TW, TM-640160065VN

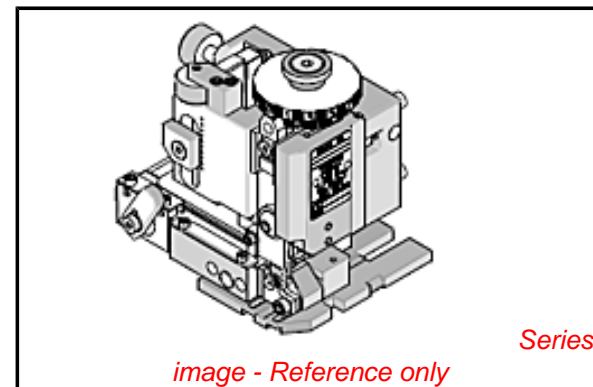


image - Reference only

EU RoHS

ELV and RoHS Compliant

REACH SVHC

Not Reviewed

Low-Halogen Status

Not Reviewed

China RoHS



Need more information on product environmental compliance?

Email productcompliance@molex.com
 For a multiple part number RoHS Certificate of Compliance, [click here](#)

Please visit the [Contact Us](#) section for any non-product compliance questions.

Search Parts in this Series

T9999Series

Use With

KK® and Trifurcon™, 3.96mm (.156") Pitch Crimp Terminal, 18-24 AWG [2477](#) , [2478](#) , [2878](#) , [4838](#) , [6438](#) , [8993](#) , [6838](#)

Application Tooling | FAQ

Description	Product #
3.96mm Pitch KK® Crimp Terminal 2478, 18-24 AWG, Reel, Phosphor Bronze, 0.51µm Selective Gold (Au)	0008580121
3.96mm Pitch KK® Crimp Terminal 2478, 18-24 AWG, Reel, Brass Tin (Sn)	0008500105
KK® Trifurcon™ Crimp Terminal 6838, 18-20 AWG, Reel, Phosphor Bronze Tin(Sn)	0008520112

3.96mm Pitch KK®	0008560105
Crimp Terminal	
2478, 18-24 AWG,	
Reel, Brass, 0.51µm	
Selective Gold (Au)	
KK® Trifurcon™	0008580187
Crimp Terminal	
6438, 18-20 AWG,	
Reel, Phosphor	
Bronze Gold (Au)	
3.96mm Pitch KK®	0008650114
Crimp Terminal	
2478, 18-24 AWG,	
Reel, Phosphor	
Bronze, 0.38µm	
Selective Gold (Au)	
3.96mm Pitch KK®	0039000286
Crimp Terminal	
2478, 18-24 AWG,	
Reel, Brass, 0.9µm	
Pre-Plated Tin (Sn)	
3.96mm Pitch KK®	0008520071
Crimp Terminal	
2478, 18-24 AWG,	
Reel, Phosphor	
Bronze, Tin (Sn)	

This document was generated on 04/25/2013

PLEASE CHECK WWW.MOLEX.COM FOR LATEST PART INFORMATION