

**PLEASE CHECK WWW.MOLEX.COM FOR LATEST PART INFORMATION**

**Part Number:** [63888-2100](#)  
**Status:** **Active**  
**Description:** Mini-Mac™ Applicator, Use with Small Wire Insulation Diameter

**Documents:**  
[RoHS Certificate of Compliance \(PDF\)](#)

**General**

|                                |  |
|--------------------------------|--|
| Product Family                 | Application Tooling  |
| Series                         | T9999  |
| Comments                       | See Tooling Specification (PDF) Above  |
| Function                       | Crimp  |
| Geographic Area                | Global   |
| Level of Automation            | Automatic, Semi-Automatic  |
| More Detailed Tech Information | <a href="mailto:applicationtooling@molex.com">applicationtooling@molex.com</a>                           |
| Product Name                   | Mini-Mac™  |
| Survey                         | <a href="http://www.molex.com//review/apptool_survey.html">www.molex.com//review/apptool_survey.html</a> |
| Tool Type                      | Applicator   |
| UPC                            | 800756726854   |

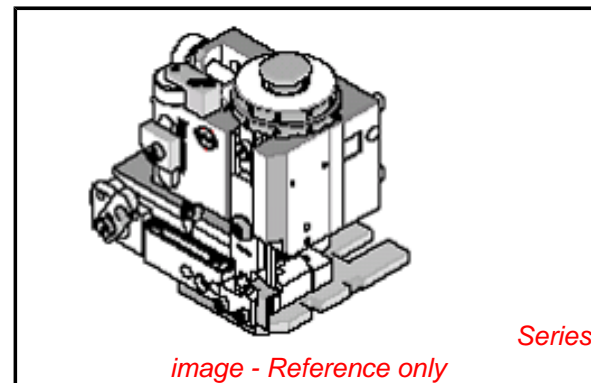
**Physical**

Net Weight 4831.034/g

**Material Info**

**Reference - Drawing Numbers**

Application Tooling Documents  
 ATS-638882100, TM-638004900, TM-638004900CN, TM-638004900SP



**EU RoHS**

**ELV and RoHS Compliant**

**REACH SVHC**

Not Reviewed

**Low-Halogen Status**

Not Reviewed

**China RoHS**



**Need more information on product environmental compliance?**

Email [productcompliance@molex.com](mailto:productcompliance@molex.com)  
 For a multiple part number RoHS Certificate of Compliance, [click here](#)

Please visit the [Contact Us](#) section for any non-product compliance questions.

**Search Parts in this Series**

[T9999Series](#)

**Use With**

Molex TM-3000™, 63801-7200 , 63801-7300, Molex TM-2000™, 63800-8300 , 63800-8400 , most Industry Standard Presses or Wire Process Machines

**Application Tooling | FAQ**

| Description   | Product #  |
|---|------------|
| KK® Crimp Terminal, 22-30 AWG, Hot Tin (Sn) Dip, Nickel (Ni) Under Plating    | 0008500113 |
| KK® Crimp Terminal, 6459, 22-30 AWG, Reel, Phosphor Bronze Tin (Sn)           | 0008520101 |
| KK® Crimp Terminal, 22-30 AWG, Selective Gold (Au), Nickel (Ni) Under Plating | 0008550101 |

KK® Crimp Terminal,0008560109  
22-30 AWG, Gold  
(Au), Nickel (Ni)  
Under Plating  
KK® Crimp Terminal 0008650813  
6459, 22-30 AWG,  
Reel, Phosphor  
Bronze Gold (Au)  
KK® Crimp Terminal 0008650815  
6459, 22-30 AWG,  
Reel, Phosphor  
Bronze Selective  
Gold (Au)  
KK® Cat Ear Crimp 0008700048  
Terminal 5159,  
22-28 AWG, Reel,  
Phosphor Bronze,  
Tin (Sn) Plating  
KK® Cat Ear Crimp 0008700064  
Terminal 5159, 22-28  
AWG, Reel, Brass,  
Tin (Sn) over Copper  
Plating  
KK® Cat Ear Crimp 0008650804  
Terminal 41572,  
Reel Tin (Sn)

This document was generated on 04/25/2013

**PLEASE CHECK [WWW.MOLEX.COM](http://WWW.MOLEX.COM) FOR LATEST PART INFORMATION**